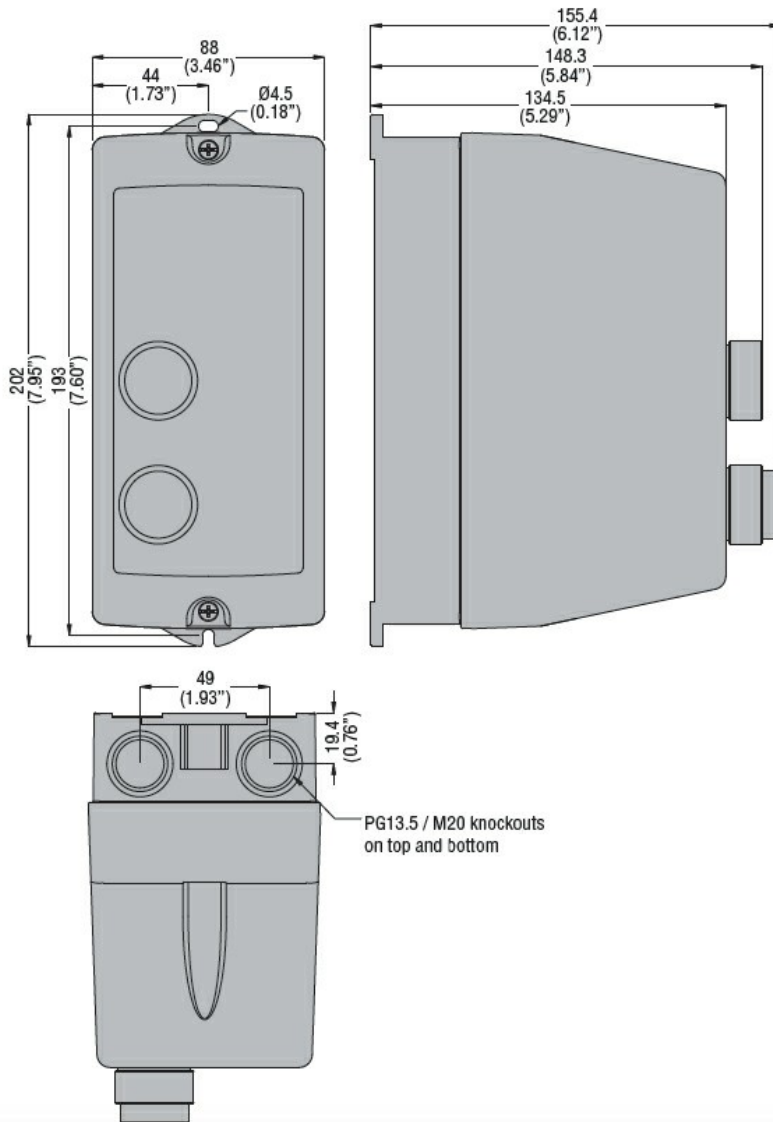




Product designation	Direct-on-line starter		
Product type designation	M1P00912...A7		
Electrical features			
Relay adj range	A	2.5-4	
IEC technical characteristics ($\leq 440V$)			
	le kW	A kW	4 1.1...1.5
Components			
Starter enclosure standard supplied	M1PA		
Contactor standard supplied	BF0910A		
Thermal relay standard supplied	RF380400		
UL technical data			
Maximum UL/CSA horsepower ratings three-phase, 3-pole			
	200V-208V	HP	0.75
	220V-240V	HP	0.75
	440V-480V	HP	2
	550V-600V	HP	3
Mechanical features			
Weight	g		1040
Ambient conditions			
Operating temperature			
	min	°C	-25
	max	°C	+60
Storage temperature			
	min	°C	-40
	max	°C	+70
Resistance & Protection			
Frontal IP degree	IP65		
Dimensions			



Wiring diagrams

