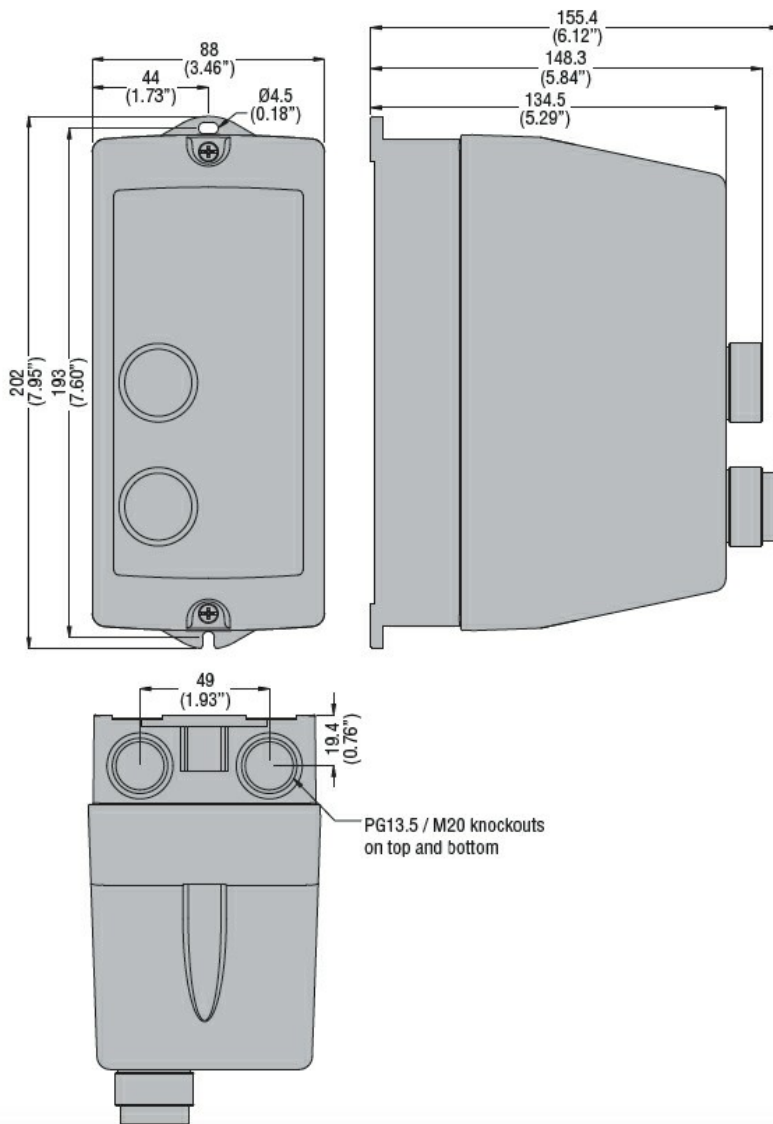




Product designation	Direct-on-line starter		
Product type designation	M1P00910		
<b>Electrical features</b>			
Maximum operating current ( $\leq 440V$ )	A	13	
<b>Components</b>			
Starter enclosure standard supplied	M1PA		
Contactor standard supplied	BF0910A		
Thermal relay to purchase separately	RF38...		
<b>Mechanical features</b>			
Weight	g	910	
<b>Ambient conditions</b>			
Operating temperature	min	°C	-25
	max	°C	+60
Storage temperature	min	°C	-40
	max	°C	+70
<b>Resistance &amp; Protection</b>			
Frontal IP degree	IP65		
<b>Dimensions</b>			



Wiring diagrams



I = Start; O = Stop/Reset

#### Certifications and compliance

##### Compliance

IEC/EN 60947-1  
IEC/EN 60947-4-1  
UL508 CSA C22.2 n° 14

##### Certificates

CSAus  
cULus  
EAC

#### ETIM classification

ETIM 8.0

EC001037 -  
Motor  
starter/Motor  
starter  
combination