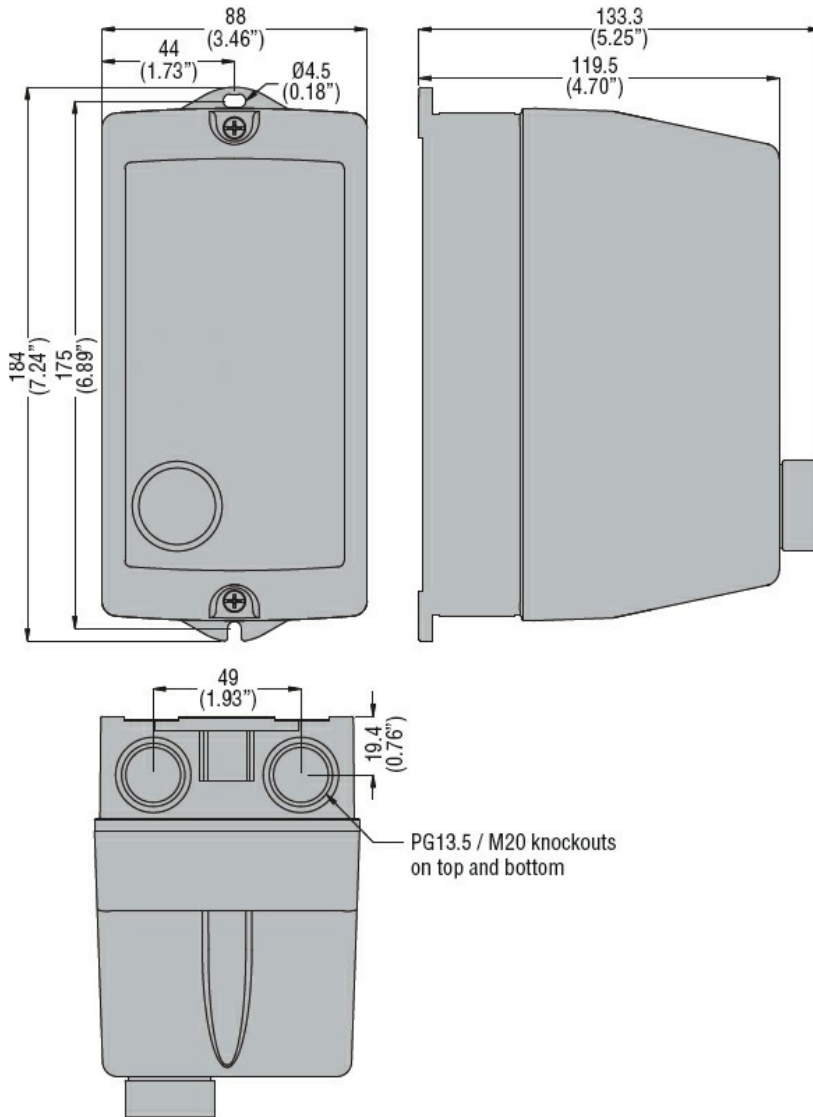
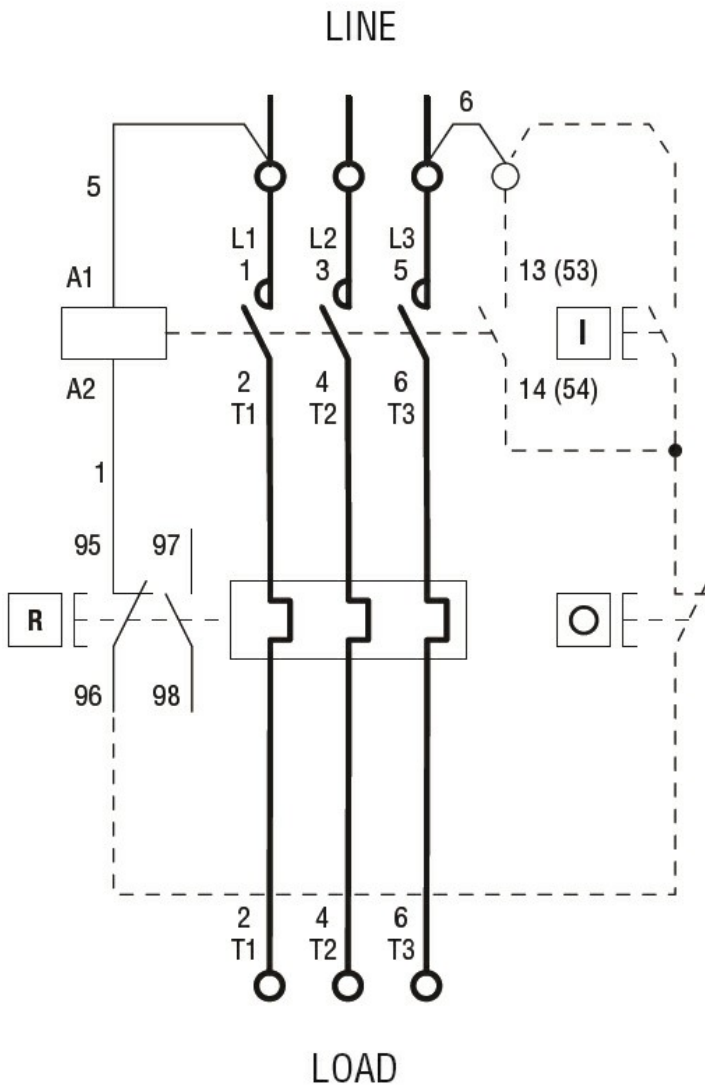




Product designation				Direct-on-line starter
Product type designation				M0R00912...2V3
Electrical features				
Relay adj range			A	1.4-2.3
IEC technical characteristics ($\leq 440V$)				
	le	A	2.3	
	kW	kW	0.55...0.75	
Components				
Starter enclosure standard supplied				MORA
Contactor standard supplied				BG0910A
Thermal relay standard supplied				RF92V3
Mechanical features				
Weight			g	720
Ambient conditions				
Operating temperature				
	min	°C	-25	
	max	°C	+60	
Storage temperature				
	min	°C	-40	
	max	°C	+70	
Resistance & Protection				
Frontal IP degree				IP65
Dimensions				



Wiring diagrams



R = Reset; I = Start; O = Stop

Certifications and compliance

Compliance

IEC/EN 60947-1
IEC/EN 60947-4-1
UL508 CSA C22.2 n° 14

Certificates

CSAus
cULus
EAC

ETIM classification

ETIM 8.0

EC001037 -
Motor
starter/Motor
starter
combination