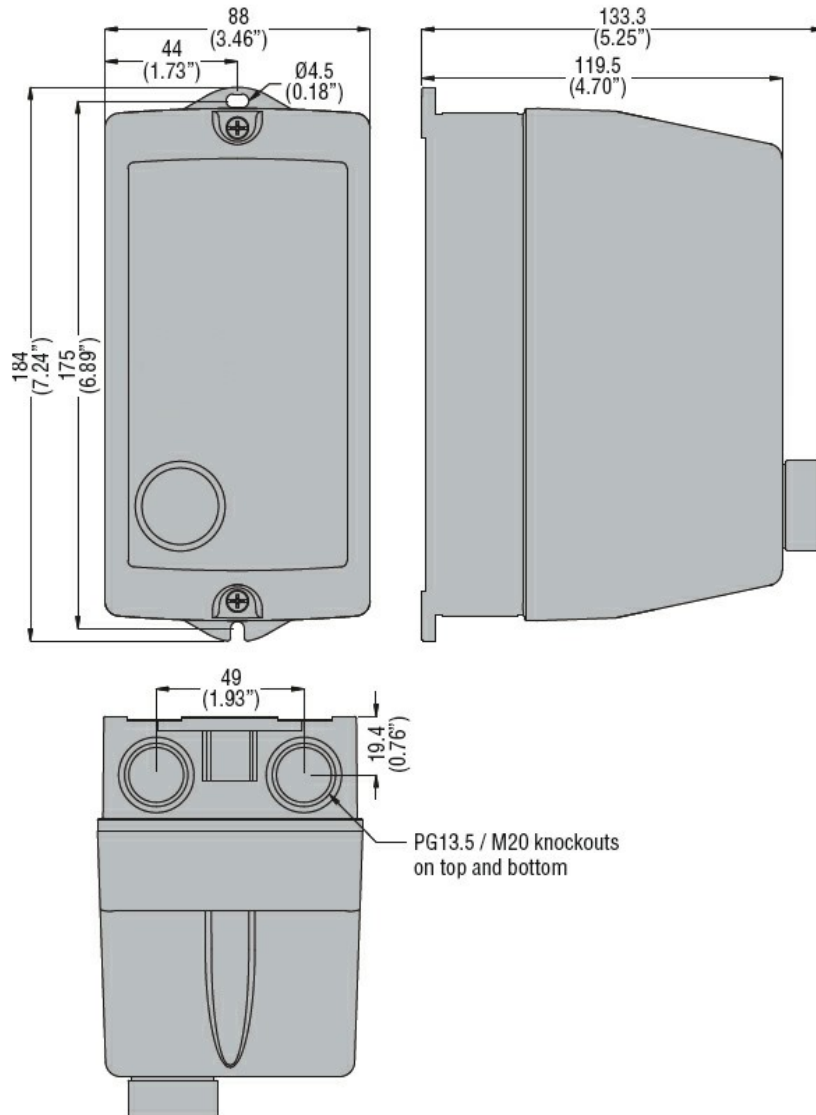
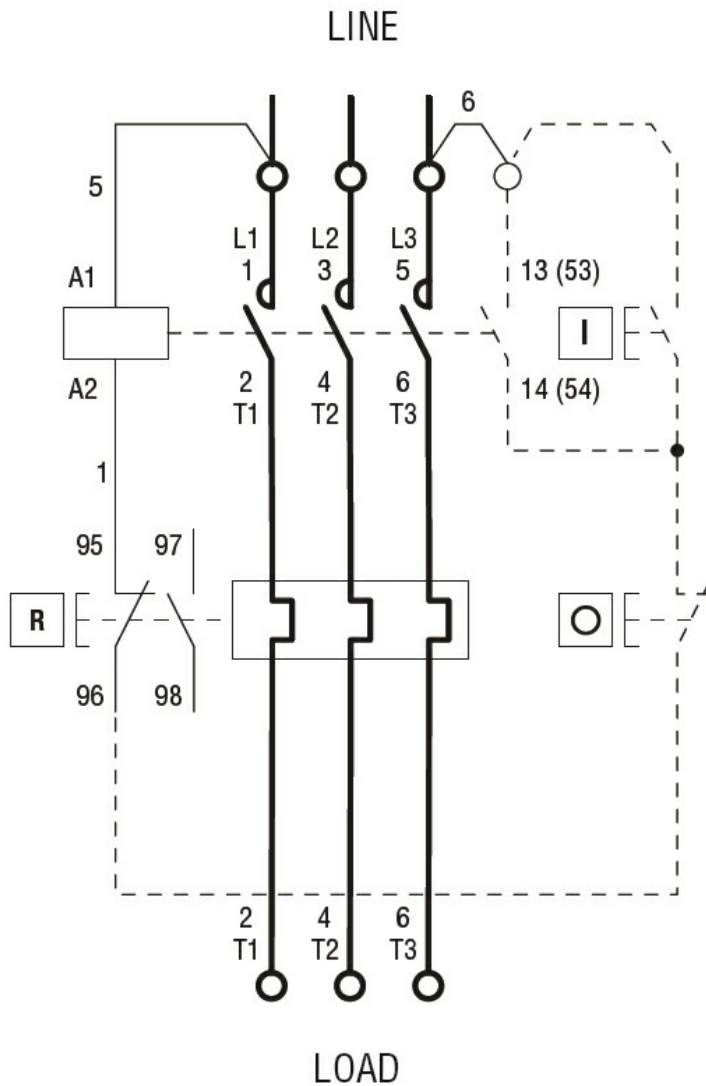




|   |                        |         |                  |
|---|------------------------|---------|------------------|
| Product designation                           | Direct-on-line starter |         |                  |
| Product type designation                      | M0R00912...1           |         |                  |
| <b>Electrical features</b>                    |                        |         |                  |
| Relay adj range                               | A                      | 0.6-1   |                  |
| IEC technical characteristics ( $\leq 440V$ ) |                        |         |                  |
|   | le<br>kW               | A<br>kW | 1<br>0.18...0.25 |
| <b>Components</b>                             |                        |         |                  |
| Starter enclosure standard supplied           | MORA                   |         |                  |
| Contactor standard supplied                   | BG0910A                |         |                  |
| Thermal relay standard supplied               | RF91                   |         |                  |
| <b>Mechanical features</b>                    |                        |         |                  |
| Weight  | g                      | 720     |                  |
| <b>Ambient conditions</b>                     |                        |         |                  |
| Operating temperature                         |                        |         |                  |
|   | min                    | °C      | -25              |
|   | max                    | °C      | +60              |
| Storage temperature                           |                        |         |                  |
|   | min                    | °C      | -40              |
|   | max                    | °C      | +70              |
| <b>Resistance &amp; Protection</b>            |                        |         |                  |
| Frontal IP degree                             | IP65                   |         |                  |
| <b>Dimensions</b>                             |                        |         |                  |



Wiring diagrams



R = Reset; I = Start; O = Stop

### Certifications and compliance

#### Compliance

IEC/EN 60947-1  
IEC/EN 60947-4-1  
UL508 CSA C22.2 n° 14

#### Certificates

CSAus  
cULus  
EAC

### ETIM classification

ETIM 8.0

EC001037 -  
Motor  
starter/Motor  
starter  
combination