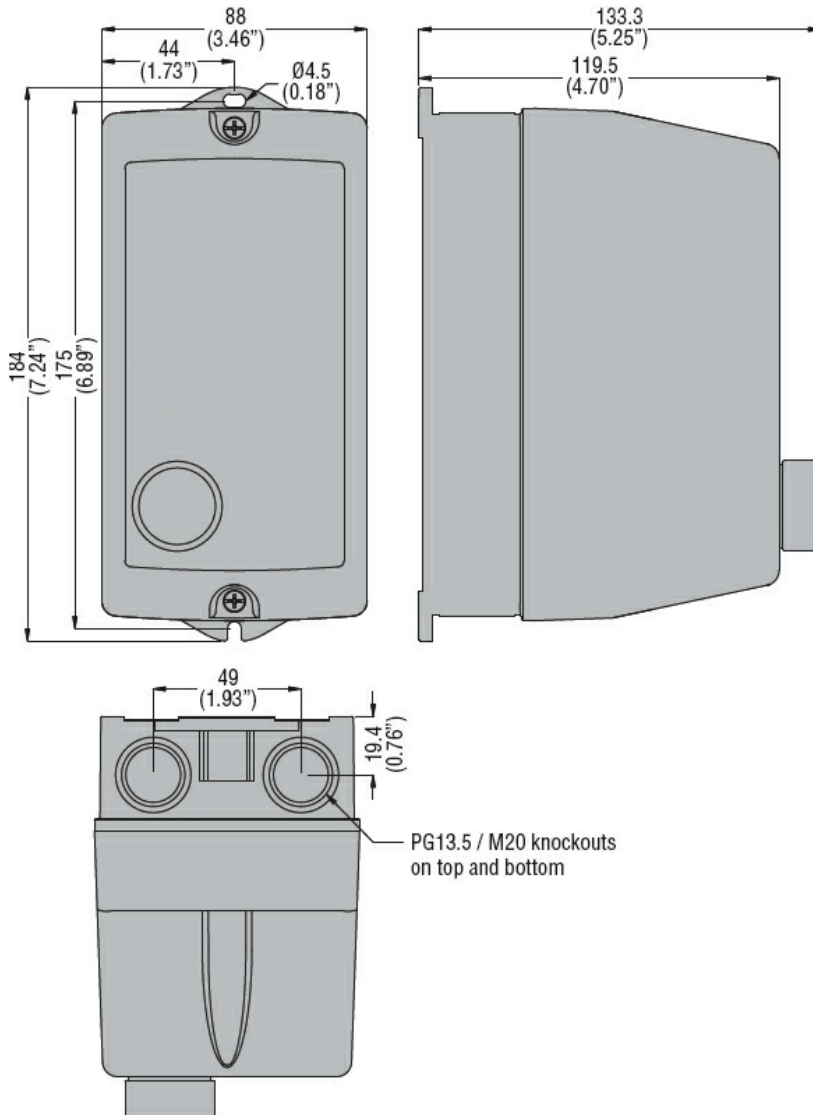
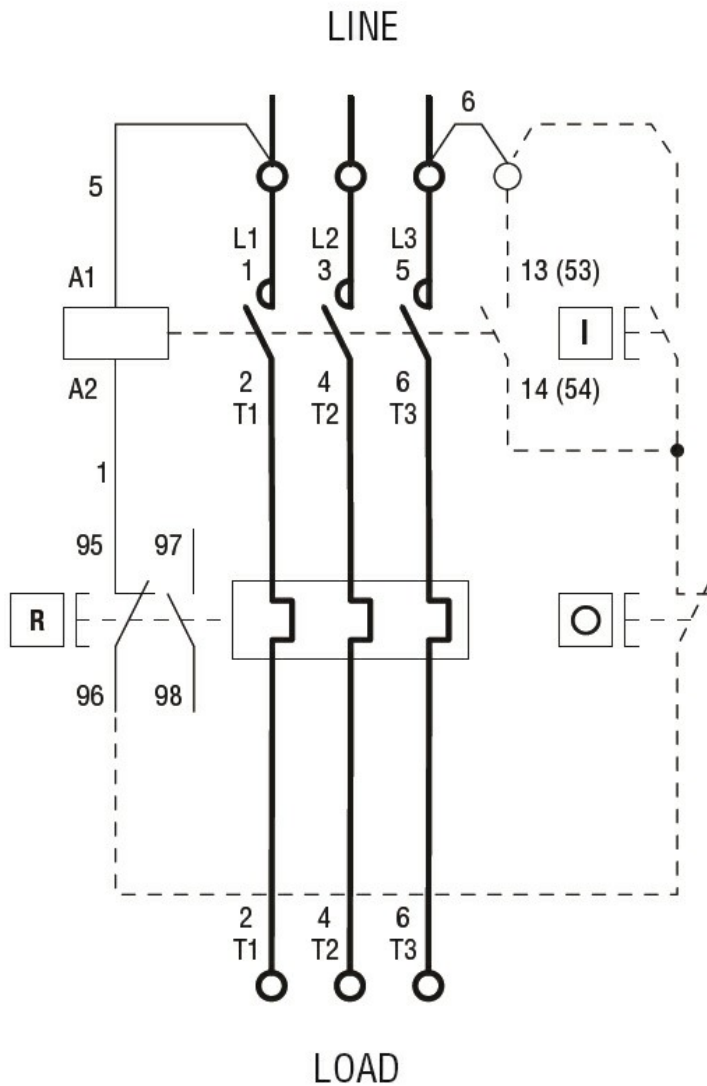




| | | | | |
|---|-----|----|-------------|------------------------|
| Product designation | | | | Direct-on-line starter |
| Product type designation | | | | M0R00912...2V3 |
| Electrical features | | | | |
| Relay adj range | | | A | 1.4-2.3 |
| IEC technical characteristics ($\leq 440V$) | | | | |
| | le | A | 2.3 | |
| | kW | kW | 0.55...0.75 | |
| Components | | | | |
| Starter enclosure standard supplied | | | | M0RA |
| Contactor standard supplied | | | | BG0910A |
| Thermal relay standard supplied | | | | RF92V3 |
| Mechanical features | | | | |
| Weight | | | g | 720 |
| Ambient conditions | | | | |
| Operating temperature | | | | |
| | min | °C | -25 | |
| | max | °C | +60 | |
| Storage temperature | | | | |
| | min | °C | -40 | |
| | max | °C | +70 | |
| Resistance & Protection | | | | |
| Frontal IP degree | | | | IP65 |
| Dimensions | | | | |



Wiring diagrams



R = Reset; I = Start; O = Stop

Certifications and compliance

Compliance

IEC/EN 60947-1
IEC/EN 60947-4-1
UL508 CSA C22.2 n° 14

Certificates

CSAus
cULus
EAC

ETIM classification

ETIM 8.0

EC001037 -
Motor
starter/Motor
starter
combination