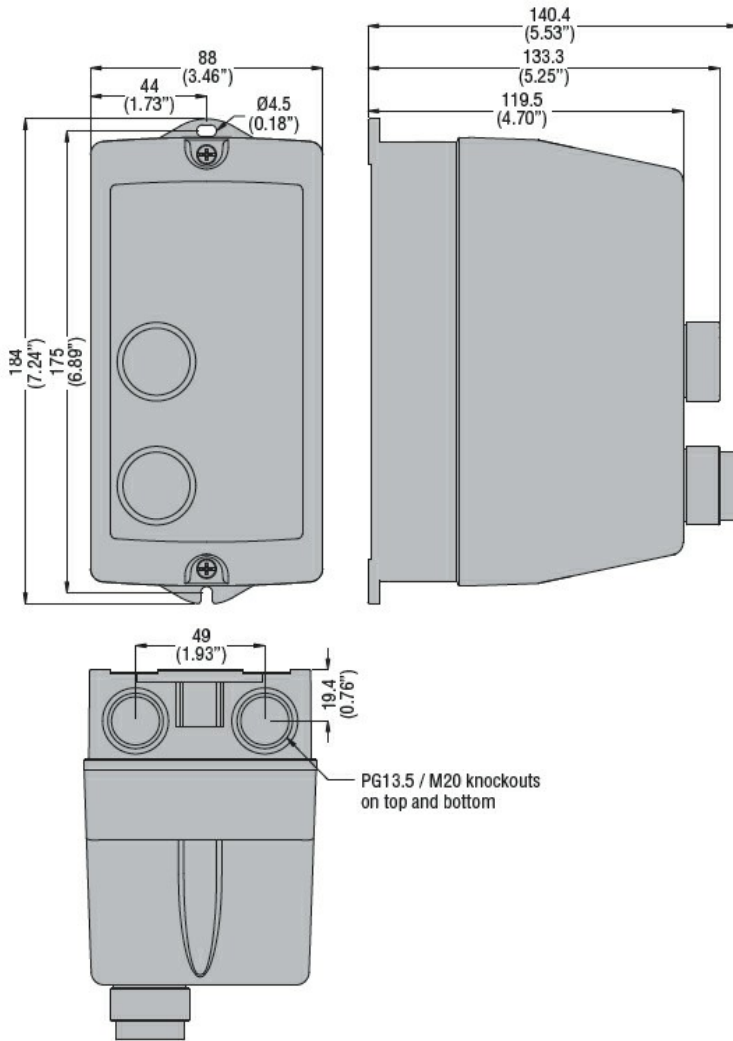




| | | | |
|---|------------------------|-----|-----|
| Product designation | Direct-on-line starter | | |
| Product type designation | M0P01210 | | |
| Electrical features | | | |
| Maximum operating current ($\leq 440V$) | A | 12 | |
| Components | | | |
| Starter enclosure standard supplied | M0PA | | |
| Contactor standard supplied | BG1210A | | |
| Thermal relay to purchase separately | RF9... | | |
| Mechanical features | | | |
| Weight | g | 667 | |
| Ambient conditions | | | |
| Operating temperature | min | °C | -25 |
| | max | °C | +60 |
| Storage temperature | min | °C | -40 |
| | max | °C | +70 |
| Resistance & Protection | | | |
| Frontal IP degree | IP65 | | |
| Dimensions | | | |



Wiring diagrams



I = Start; O = Stop/Reset

Certifications and compliance

Compliance

IEC/EN 60947-1
IEC/EN 60947-4-1
UL508 CSA C22.2 n° 14

Certificates

CSAus
cULus
EAC

ETIM classification

ETIM 8.0

EC001037 -
Motor
starter/Motor
starter
combination