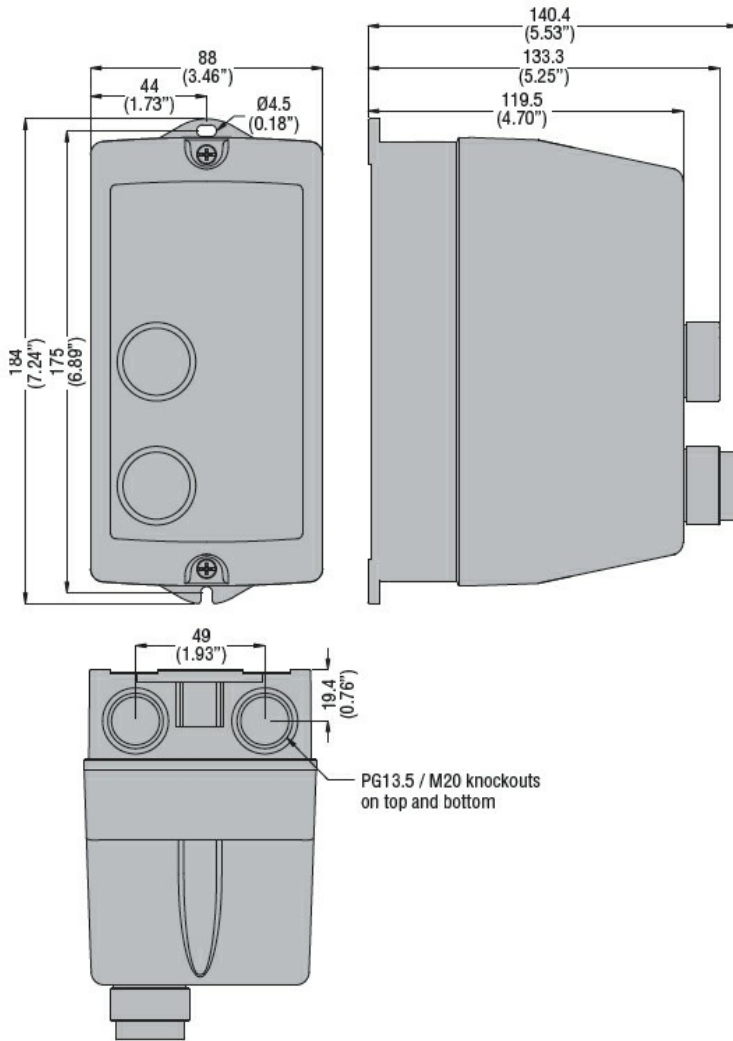




Product designation	Direct-on-line starter		
Product type designation	M0P00912...1V5		
<b>Electrical features</b>			
Relay adj range	A	0.9-1.5	
IEC technical characteristics ( $\leq 440V$ )			
	le	A	1.5
	kW	kW	0.37
<b>Components</b>			
Starter enclosure standard supplied	M0PA		
Contactor standard supplied	BG0910A		
Thermal relay standard supplied	RF91V5		
<b>UL technical data</b>			
Maximum UL/CSA horsepower ratings three-phase, 3-pole			
	440V-480V	HP	0.75
	550V-600V	HP	0.75
<b>Mechanical features</b>			
Weight	g	760	
<b>Ambient conditions</b>			
Operating temperature			
	min	°C	-25
	max	°C	+60
Storage temperature			
	min	°C	-40
	max	°C	+70
<b>Resistance &amp; Protection</b>			
Frontal IP degree	IP65		
<b>Dimensions</b>			



Wiring diagrams



I = Start; O = Stop/Reset

#### Certifications and compliance

##### Compliance

IEC/EN 60947-1  
IEC/EN 60947-4-1  
UL508 CSA C22.2 n° 14

##### Certificates

CSAus  
cULus  
EAC

#### ETIM classification

ETIM 8.0

EC001037 -  
Motor  
starter/Motor  
starter  
combination