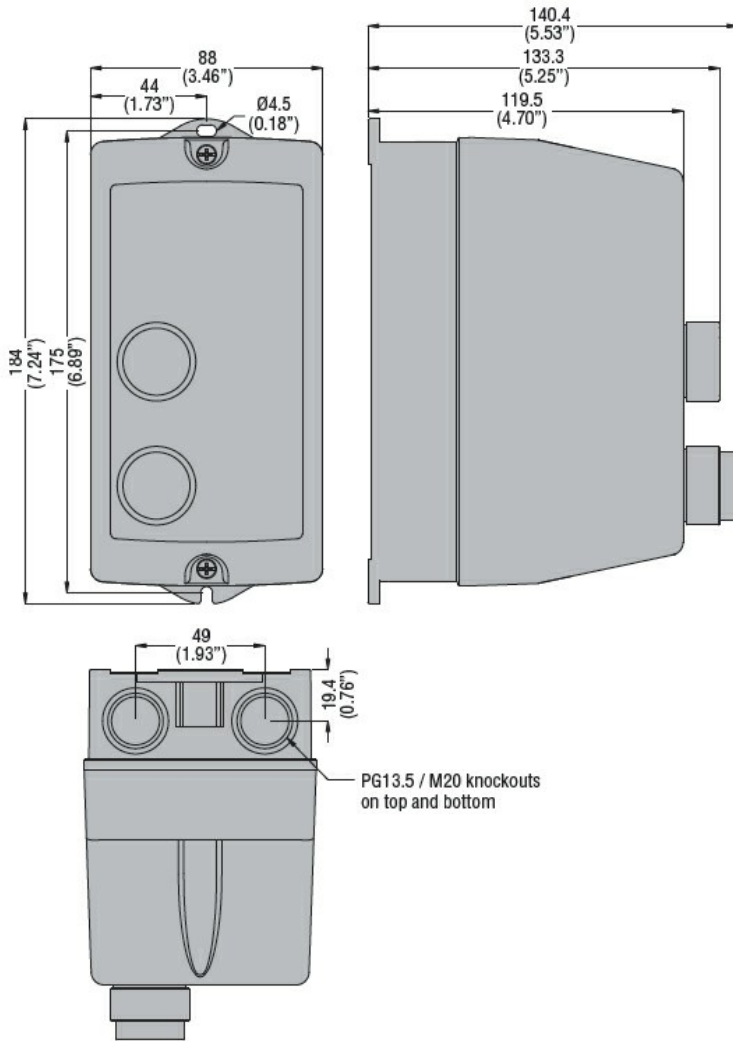




|   |                        |         |             |
|---|------------------------|---------|-------------|
| Product designation                                   | Direct-on-line starter |         |             |
| Product type designation                              | M0P00912...2V3         |         |             |
| <b>Electrical features</b>                            |                        |         |             |
| Relay adj range                                       | A                      | 1.4-2.3 |             |
| IEC technical characteristics ( $\leq 440V$ )         |                        |         |             |
|   | le                     | A       | 2.3         |
|   | kW                     | kW      | 0.55...0.75 |
| <b>Components</b>                                     |                        |         |             |
| Starter enclosure standard supplied                   | M0PA                   |         |             |
| Contactors standard supplied                          | BG0910A                |         |             |
| Thermal relay standard supplied                       | RF92V3                 |         |             |
| <b>UL technical data</b>                              |                        |         |             |
| Maximum UL/CSA horsepower ratings single-phase        |                        |         |             |
|   | 220V-240V              | HP      | 0.5         |
| Maximum UL/CSA horsepower ratings three-phase, 3-pole |                        |         |             |
|   | 440V-480V              | HP      | 1           |
|   | 550V-600V              | HP      | 1           |
| <b>Mechanical features</b>                            |                        |         |             |
| Weight  | g                      |         | 760         |
| <b>Ambient conditions</b>                             |                        |         |             |
| Operating temperature                                 |                        |         |             |
|   | min                    | °C      | -25         |
|   | max                    | °C      | +60         |
| Storage temperature                                   |                        |         |             |
|   | min                    | °C      | -40         |
|   | max                    | °C      | +70         |
| <b>Resistance &amp; Protection</b>                    |                        |         |             |
| Frontal IP degree                                     | IP65                   |         |             |
| <b>Dimensions</b>                                     |                        |         |             |



Wiring diagrams



I = Start; O = Stop/Reset

### Certifications and compliance

#### Compliance

IEC/EN 60947-1  
IEC/EN 60947-4-1  
UL508 CSA C22.2 n° 14

#### Certificates

CSAus  
cULus  
EAC

### ETIM classification

ETIM 8.0

EC001037 -  
Motor  
starter/Motor  
starter  
combination