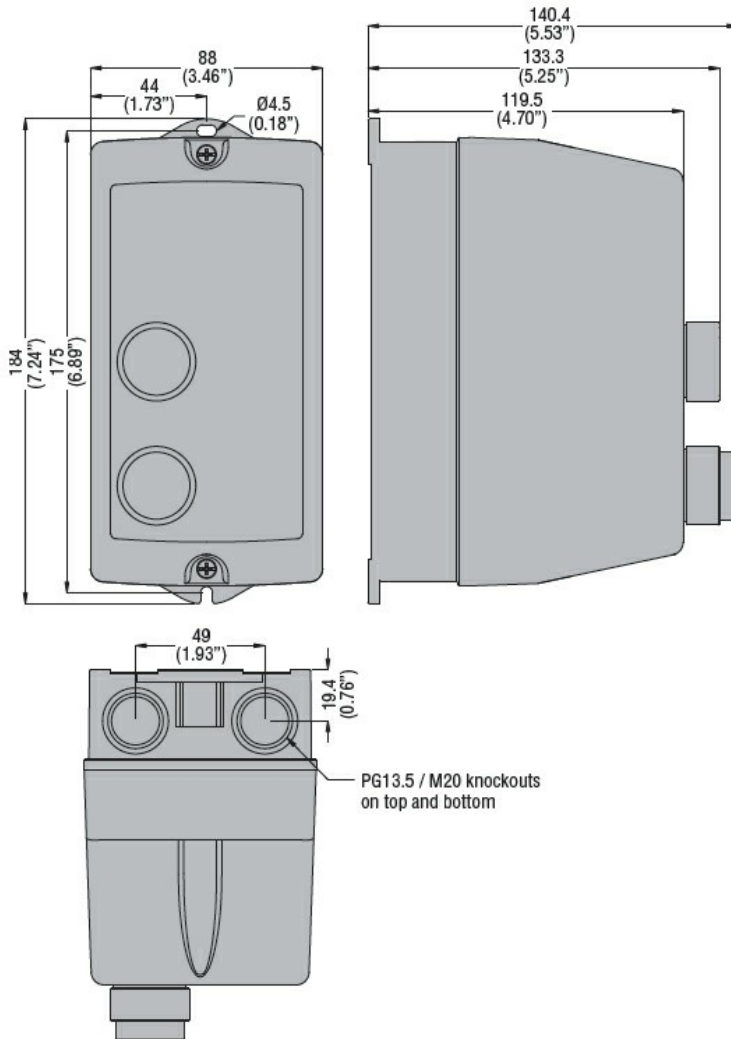




Product designation	Direct-on-line starter		
Product type designation	M0P00912...2V3		
<b>Electrical features</b>			
Relay adj range	A	1.4-2.3	
IEC technical characteristics ( $\leq 440V$ )			
	le	A	2.3
	kW	kW	0.55...0.75
<b>Components</b>			
Starter enclosure standard supplied	M0PA		
Contacteur standard supplied	BG0910A		
Thermal relay standard supplied	RF92V3		
<b>UL technical data</b>			
Maximum UL/CSA horsepower ratings single-phase			
	220V-240V	HP	0.5
Maximum UL/CSA horsepower ratings three-phase, 3-pole			
	440V-480V	HP	1
	550V-600V	HP	1
<b>Mechanical features</b>			
Weight	g		760
<b>Ambient conditions</b>			
Operating temperature			
	min	°C	-25
	max	°C	+60
Storage temperature			
	min	°C	-40
	max	°C	+70
<b>Resistance &amp; Protection</b>			
Frontal IP degree	IP65		
<b>Dimensions</b>			



Wiring diagrams



I = Start; O = Stop/Reset

**Certifications and compliance**

**Compliance**

IEC/EN 60947-1  
IEC/EN 60947-4-1  
UL508 CSA C22.2 n° 14

**Certificates**

CSAus  
cULus  
EAC

**ETIM classification**

ETIM 8.0

EC001037 -  
Motor  
starter/Motor  
starter  
combination