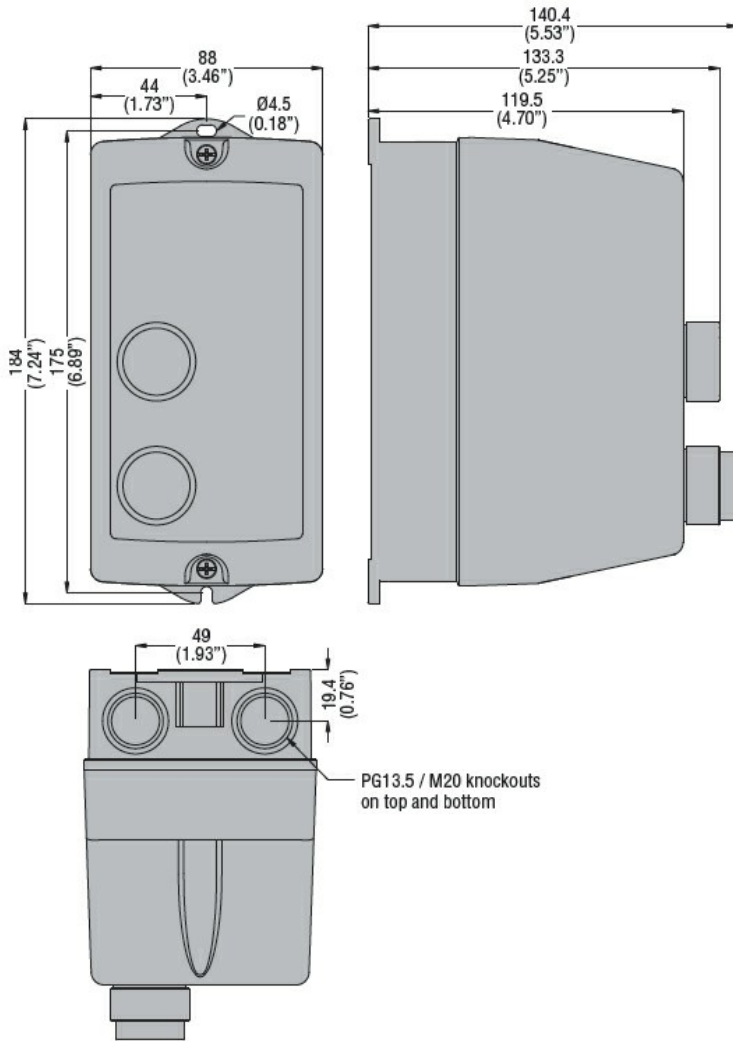




|   |                        |         |      |
|---|------------------------|---------|------|
| Product designation                                   | Direct-on-line starter |         |      |
| Product type designation                              | M0P00912...1V5         |         |      |
| <b>Electrical features</b>                            |                        |         |      |
| Relay adj range                                       | A                      | 0.9-1.5 |      |
| IEC technical characteristics ( $\leq 440V$ )         |                        |         |      |
|   | le                     | A       | 1.5  |
|   | kW                     | kW      | 0.37 |
| <b>Components</b>                                     |                        |         |      |
| Starter enclosure standard supplied                   | M0PA                   |         |      |
| Contactors standard supplied                          | BG0910A                |         |      |
| Thermal relay standard supplied                       | RF91V5                 |         |      |
| <b>UL technical data</b>                              |                        |         |      |
| Maximum UL/CSA horsepower ratings three-phase, 3-pole |                        |         |      |
|   | 440V-480V              | HP      | 0.75 |
|   | 550V-600V              | HP      | 0.75 |
| <b>Mechanical features</b>                            |                        |         |      |
| Weight  | g                      | 760     |      |
| <b>Ambient conditions</b>                             |                        |         |      |
| Operating temperature                                 |                        |         |      |
|   | min                    | °C      | -25  |
|   | max                    | °C      | +60  |
| Storage temperature                                   |                        |         |      |
|   | min                    | °C      | -40  |
|   | max                    | °C      | +70  |
| <b>Resistance &amp; Protection</b>                    |                        |         |      |
| Frontal IP degree                                     | IP65                   |         |      |
| <b>Dimensions</b>                                     |                        |         |      |



Wiring diagrams



I = Start; O = Stop/Reset

#### Certifications and compliance

##### Compliance

IEC/EN 60947-1  
IEC/EN 60947-4-1  
UL508 CSA C22.2 n° 14

##### Certificates

CSAus  
cULus  
EAC

#### ETIM classification

ETIM 8.0

EC001037 -  
Motor  
starter/Motor  
starter  
combination