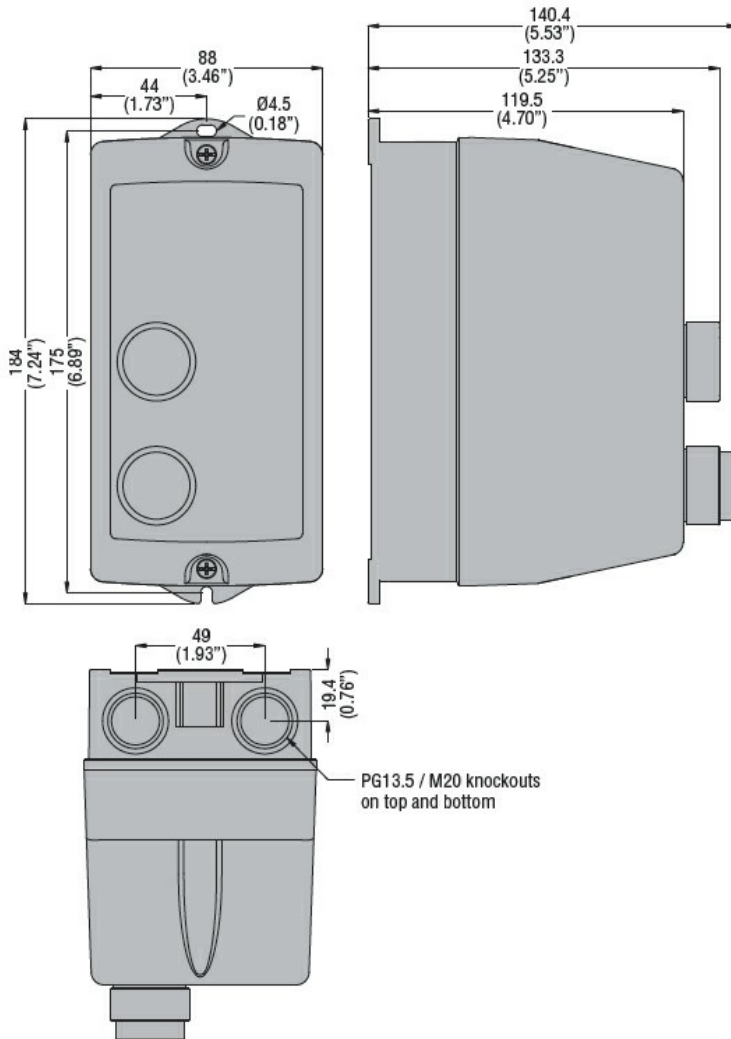




| | | | |
|---|------------------------|---------|----------------|
| Product designation | Direct-on-line starter | | |
| Product type designation | M0P00912...5 | | |
| Electrical features | | | |
| Relay adj range | A | 3-5 | |
| IEC technical characteristics ($\leq 440V$) | | | |
| | le kW | A kW | 5 1.5...2.2 |
| Components | | | |
| Starter enclosure standard supplied | M0PA | | |
| Contactor standard supplied | BG0910A | | |
| Thermal relay standard supplied | RF95 | | |
| UL technical data | | | |
| Maximum UL/CSA horsepower ratings single-phase | | | |
| | 220V-240V | HP | 0.5 |
| Maximum UL/CSA horsepower ratings three-phase, 3-pole | | | |
| | 200V-208V | HP | 1 |
| | 220V-240V | HP | 1 |
| | 440V-480V | HP | 3 |
| | 550V-600V | HP | 3 |
| Mechanical features | | | |
| Weight | g | | 760 |
| Ambient conditions | | | |
| Operating temperature | | | |
| | min | °C | -25 |
| | max | °C | +60 |
| Storage temperature | | | |
| | min | °C | -40 |
| | max | °C | +70 |
| Resistance & Protection | | | |
| Frontal IP degree | IP65 | | |
| Dimensions | | | |



Wiring diagrams



I = Start; O = Stop/Reset

Certifications and compliance

Compliance

IEC/EN 60947-1
IEC/EN 60947-4-1
UL508 CSA C22.2 n° 14

Certificates

CSAus
cULus
EAC

ETIM classification

ETIM 8.0

EC001037 -
Motor
starter/Motor
starter
combination