



Product designation

Changeover  
contactor  
assemblies  
BFC

Product type designation

**Electrical features**

Maximum operating current ( $\leq 440V$ )

A 140

**Contact characteristics**

Operational current I<sub>le</sub>

AC-1 ( $\leq 40^{\circ}C$ ) A 140

AC-1 ( $\leq 55^{\circ}C$ ) A 115

AC-1 ( $\leq 60^{\circ}C$ ) A 100

**Mechanical features**

Terminals type

Screw

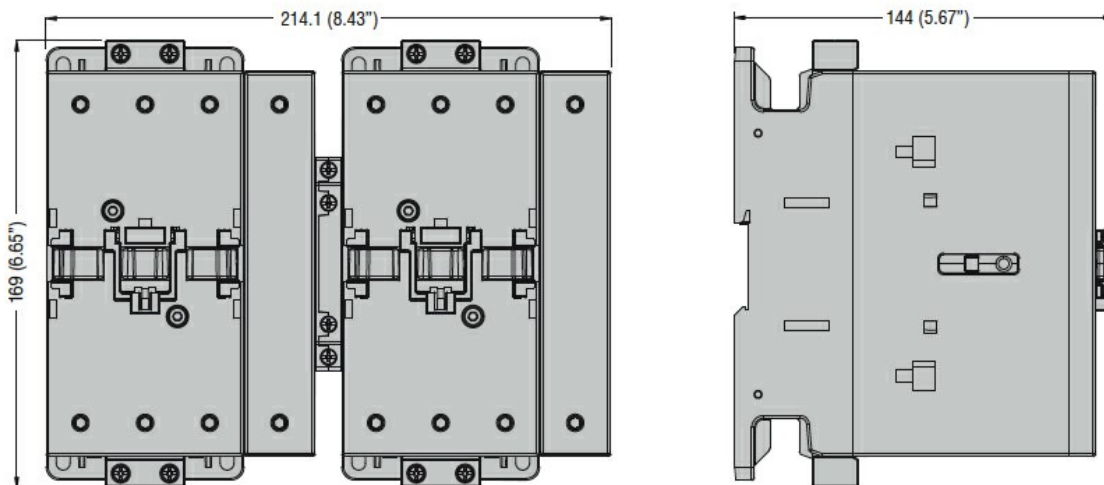
Fixing

Side mount

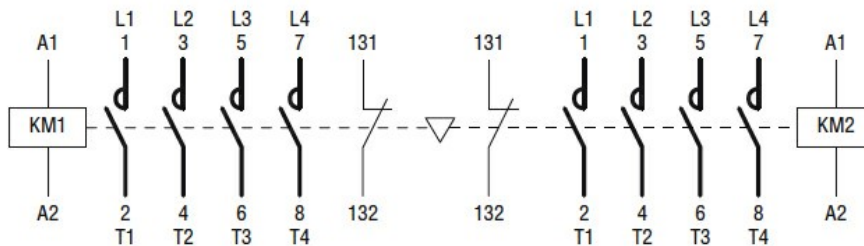
Weight

g 4892

**Dimensions**



**Wiring diagrams**



**ETIM classification**

ETIM 8.0

EC00010 -  
Combination of  
contactors