



Product designation

Changeover
contactor
assemblies
BFC

Product type designation

Electrical features

Maximum operating current ($\leq 440V$)

A 165

Contact characteristics

Operational current I_e

AC-1 ($\leq 40^\circ C$) A 165

AC-1 ($\leq 55^\circ C$) A 135

AC-1 ($\leq 60^\circ C$) A 118

Mechanical features

Terminals type

Screw

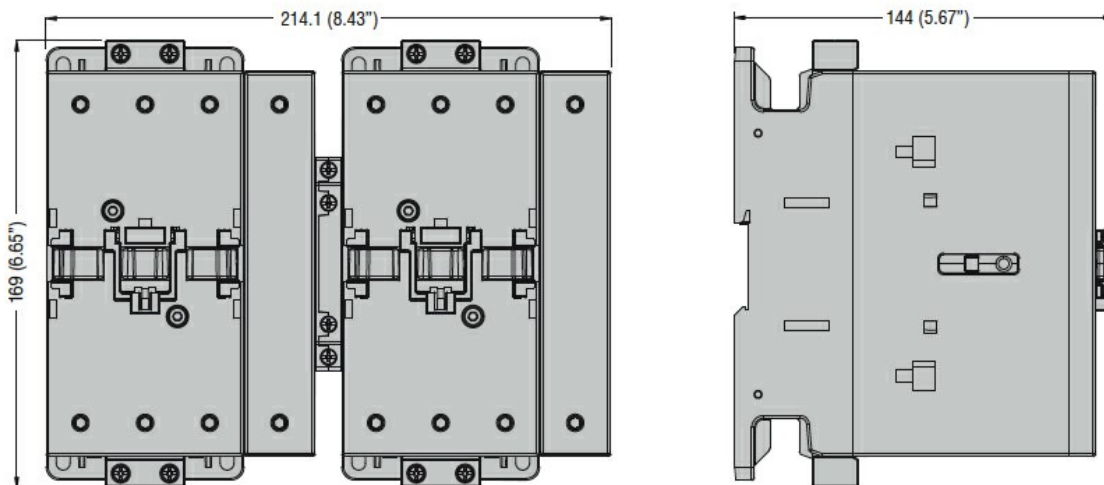
Fixing

Side mount

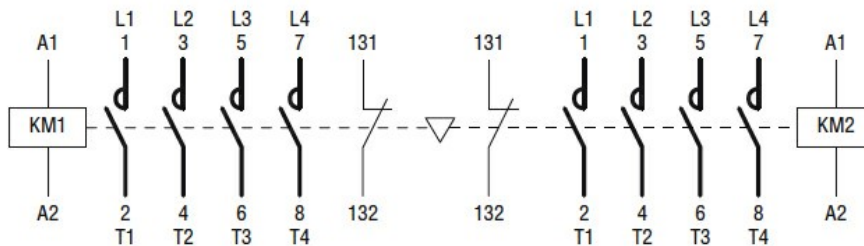
Weight

g 4892

Dimensions



Wiring diagrams



ETIM classification

ETIM 8.0

EC00010 -
Combination of
contactors