



Product designation	Star-delta starter	
Product type designation	BFA150	
<b>Electrical features</b>		
Maximum operating current ( $\leq 440V$ )	A	230
<b>Components</b>		
Contactor standard supplied	BF15000A / BF15000A / BF8000A	
Thermal relay standard supplied	No	
Thermal relay to purchase separately	RF200	
Auxiliary contact standard supplied	BFX1020 / BFX1011 / BFX1011	

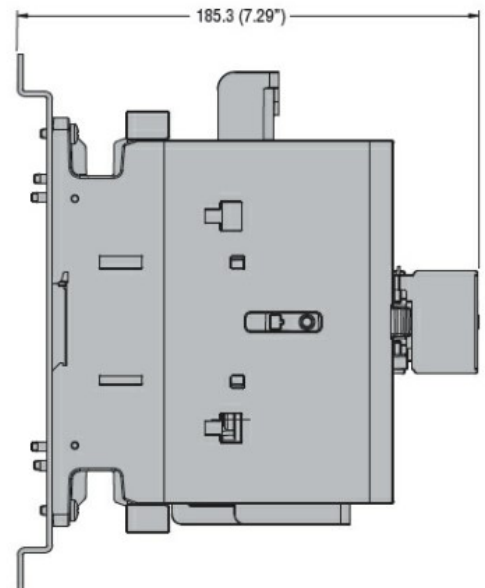
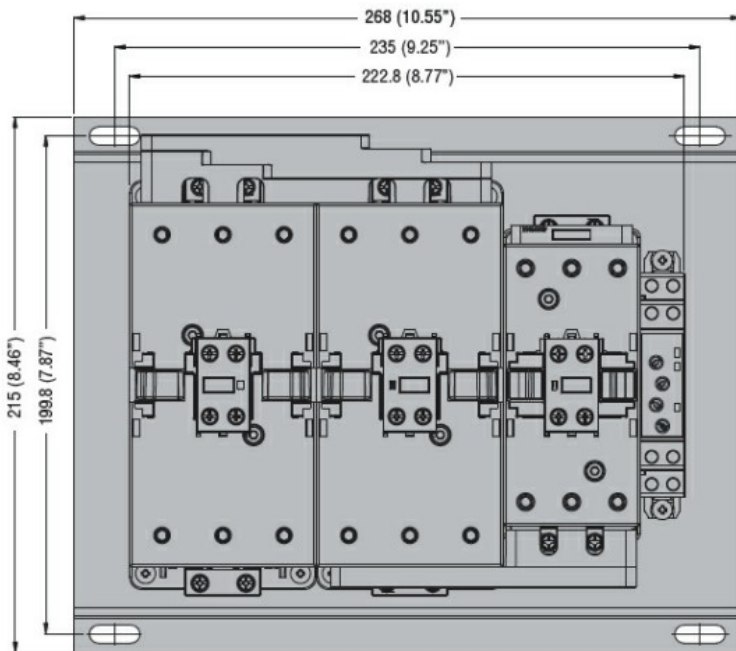
**Contact characteristics**

IEC standard motor powers	230V	kW	75
	400V	kW	132
	440V	kW	132
	500V	kW	160

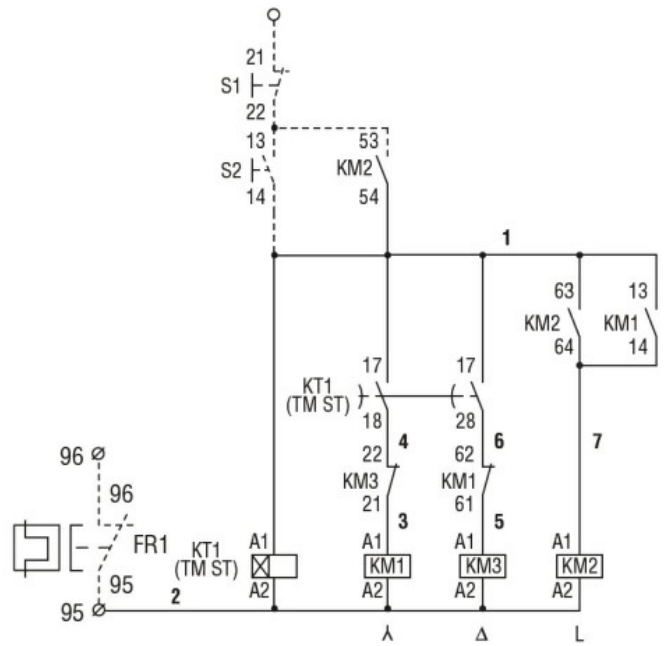
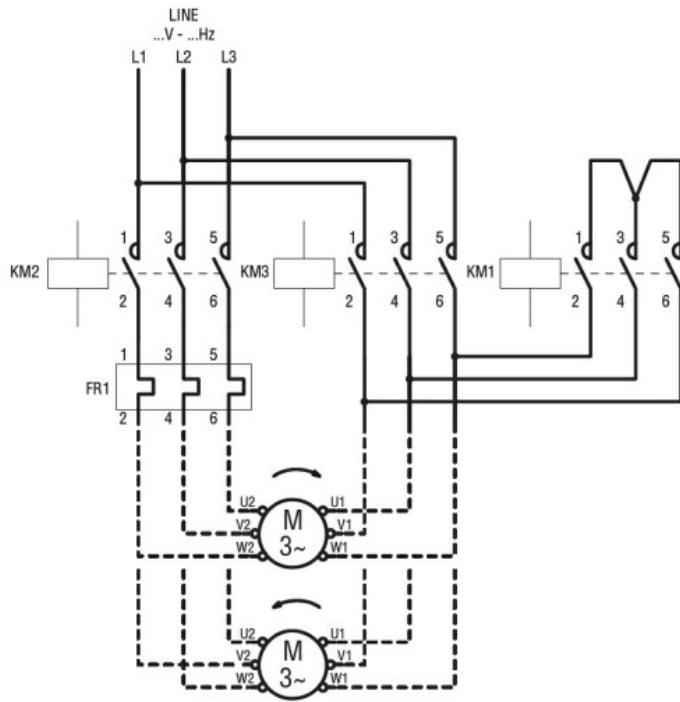
**Mechanical features**

Weight	g	7500
--------	---	------

**Dimensions**



**Wiring diagrams**



**Certifications and compliance**

Compliance

IEC/EN 60947-1  
IEC/EN 60947-4-1

Certificates

/

**ETIM classification**

ETIM 8.0

EC001037 -  
Motor  
starter/Motor  
starter  
combination