



| | | |
|---|-------------------------------------|-----|
| Product designation | Star-delta starter | |
| Product type designation | BFA115 | |
| Electrical features | | |
| Maximum operating current ($\leq 440V$) | A | 195 |
| Components | | |
| Contactor standard supplied | BF11500A / BF11500A / BF8000A | |
| Thermal relay standard supplied | No | |
| Thermal relay to purchase separately | RF200 | |
| Auxiliary contact standard supplied | BFX1020 / BFX1011 / BFX1011 | |

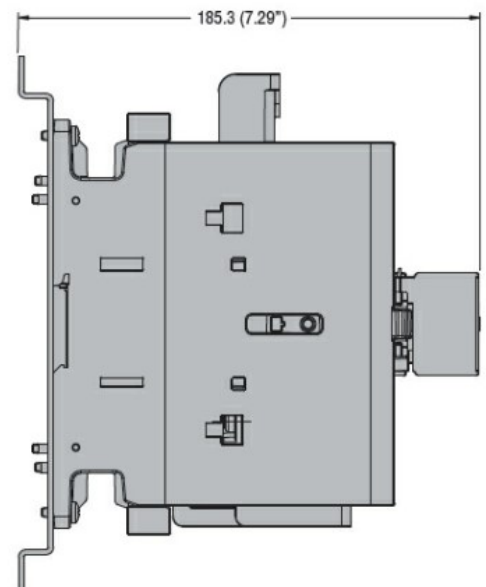
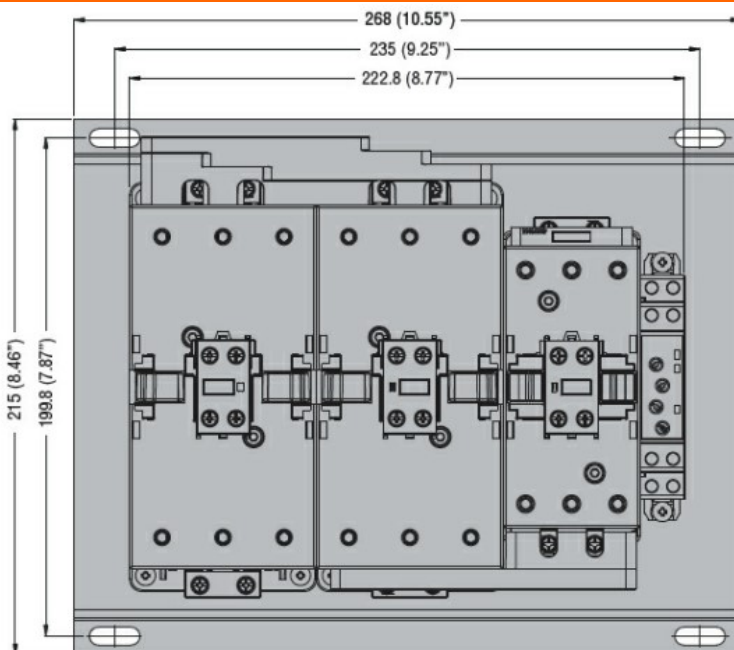
Contact characteristics

| | | | |
|---------------------------|------|----|-----|
| IEC standard motor powers | 230V | kW | 55 |
| | 400V | kW | 110 |
| | 440V | kW | 110 |
| | 500V | kW | 132 |

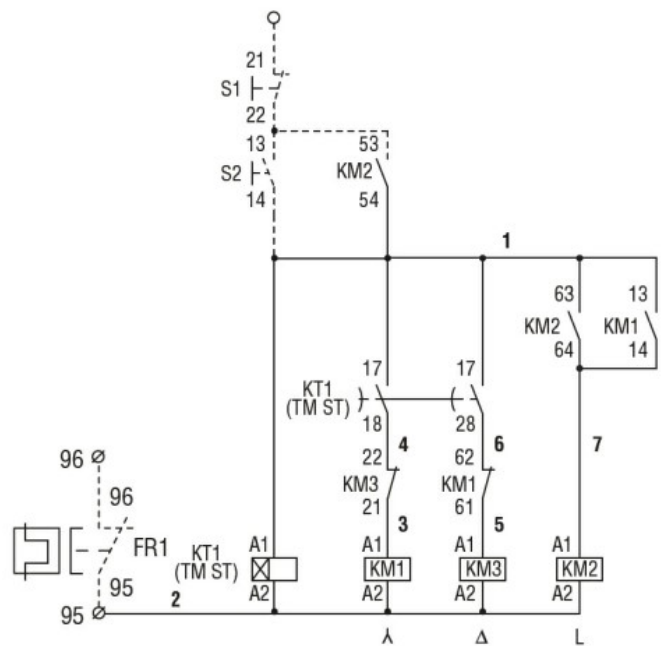
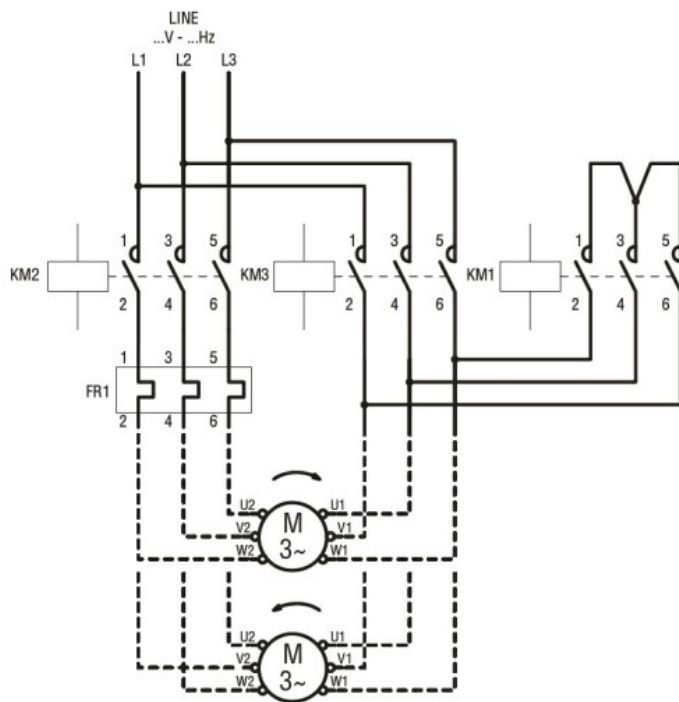
Mechanical features

| | | |
|--------|---|------|
| Weight | g | 7500 |
|--------|---|------|

Dimensions



Wiring diagrams



Certifications and compliance

Compliance

IEC/EN 60947-1
IEC/EN 60947-4-1

Certificates

/

ETIM classification

ETIM 8.0

EC001037 -
Motor
starter/Motor
starter
combination