

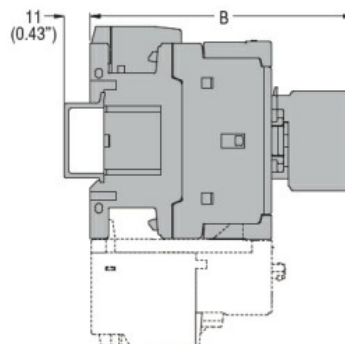
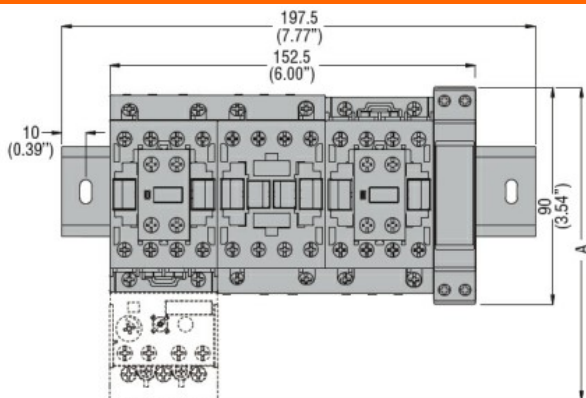


Product designation	Star-delta starter	
Product type designation	BFA050	
<b>Electrical features</b>		
Maximum operating current ( $\leq 440V$ )	A	85
<b>Components</b>		
Contactor standard supplied	BF5000A / BF5000A / BF3200A	
Thermal relay standard supplied	No	
Thermal relay to purchase separately	RF82	
Auxiliary contact standard supplied	BFX1020 / BFX1011 / BFX1011	

<b>Contact characteristics</b>			
IEC standard motor powers			
	230V	kW	25
	400V	kW	45
	440V	kW	45
	500V	kW	59

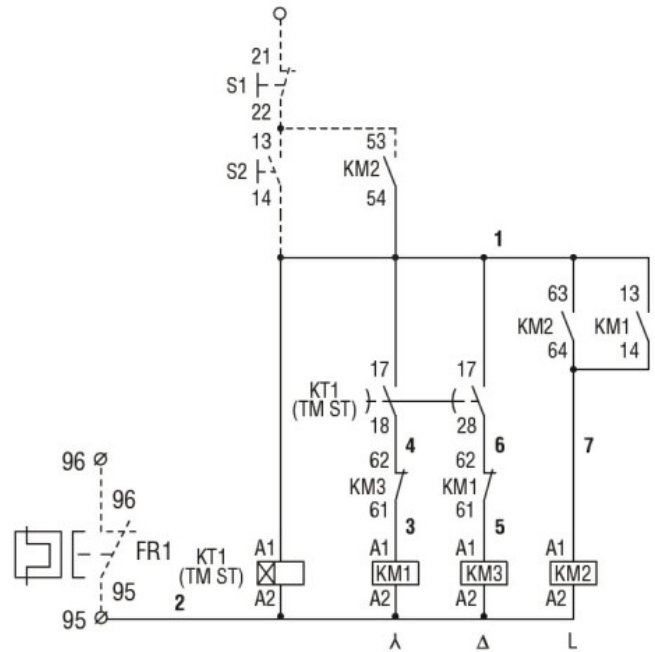
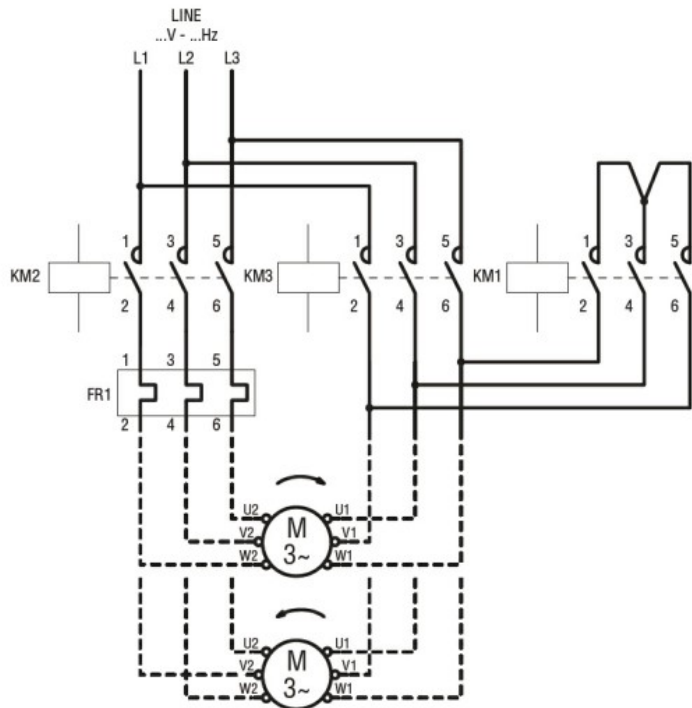
<b>Mechanical features</b>		
Weight	g	5200

**Dimensions**



STARTER TYPE	A	B
BFA009 70	130.5 (5.14")	109.5 (4.31")
BFA012 70	130.5 (5.14")	109.5 (4.31")
BFA018 70	130.5 (5.14")	109.5 (4.31")
BFA025 70	130.5 (5.14")	109.5 (4.31")
BFA026 70	135 (5.14")	119 (4.68")
BFA032 70	135 (5.14")	119 (4.68")
BFA038 70	135 (5.14")	119 (4.68")
BFA050 70	173 (6.81")	142 (5.59")
BFA065 70	173 (6.81")	142 (5.59")
BFA080 70	183 (7.20")	142 (5.59")

**Wiring diagrams**



**Certifications and compliance**

Compliance

IEC/EN 60947-1  
IEC/EN 60947-4-9

Certificates

/

**ETIM classification**

ETIM 8.0

EC001037 -  
Motor  
starter/Motor  
starter  
combination