



Product designation Reversing contactor
Product type designation BGTP09

Electrical features

Maximum operating current ($\leq 440V$) A 9

Contact characteristics

Operational current Ie AC-3 ($\leq 440V \leq 55^\circ C$) A 9

Rated operational power AC-3 ($T \leq 55^\circ C$)			kW	
	V	HP		
	230V	kW	2.2	
	400V	kW	4	
	415V	kW	4.3	
	440V	kW	4.5	
	500V	kW	5	

Built-in auxiliary contacts				
	NO	NC		
	NO		0	
	NC		1	

UL technical data

Maximum UL/CSA horsepower ratings single-phase			HP	
	V	HP		
	110V-120V	HP	0.5	
	220V-240V	HP	1.5	

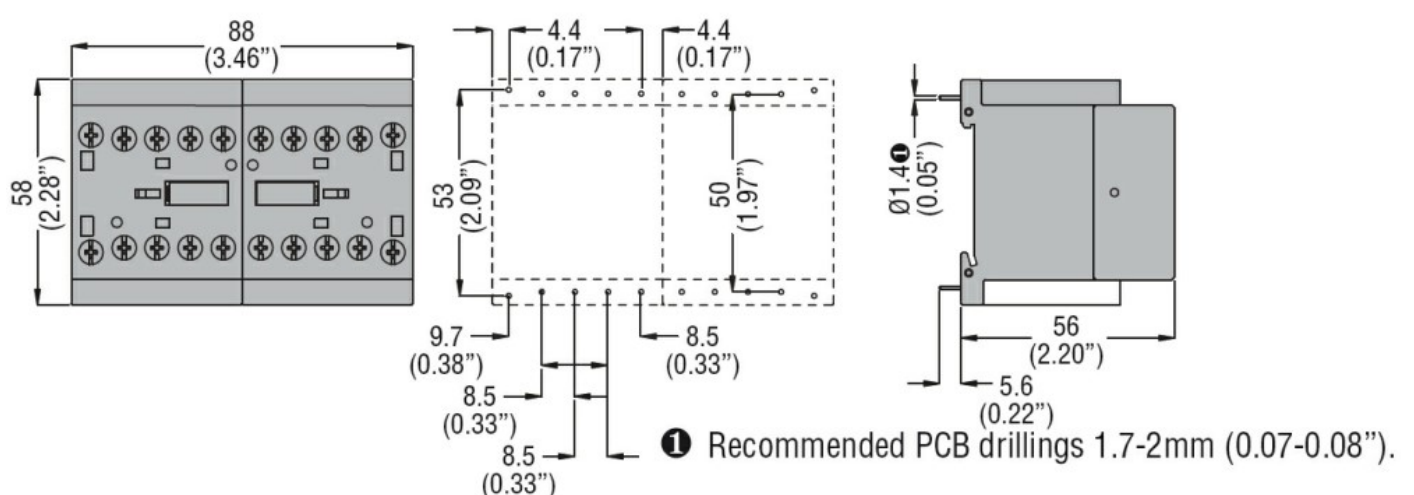
Maximum UL/CSA horsepower ratings three-phase, 3-pole			HP			
	V	HP				
	200V-208V	HP			2	
	220V-240V	HP			3	
440V-480V	HP	5				

Mechanical features

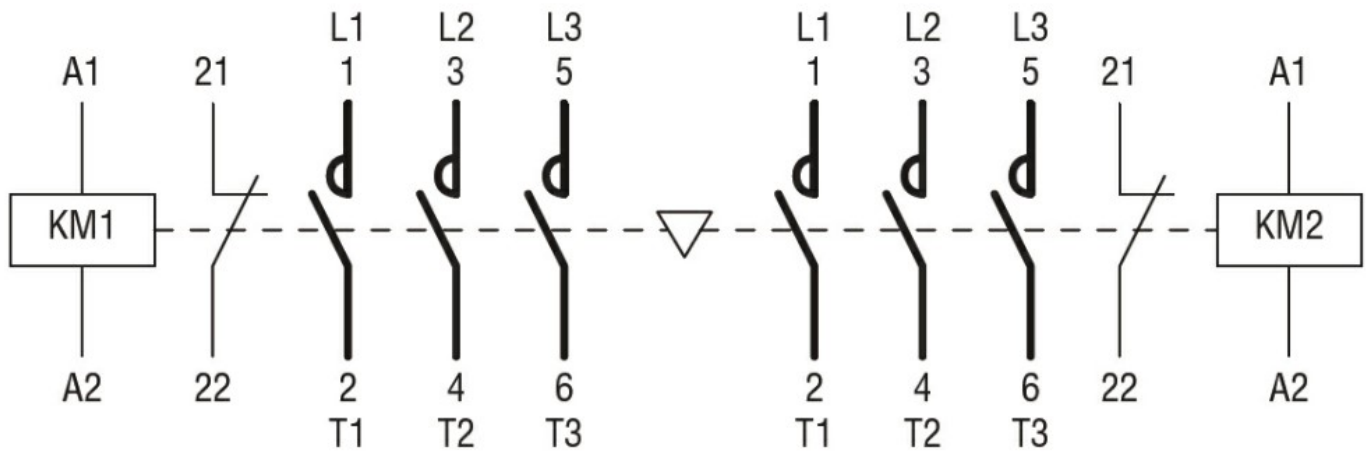
Terminals type Clamp screw

Weight g 460

Dimensions



Wiring diagrams



Certifications and compliance

Compliance

IEC/EN 60947-1

IEC/EN 60947-4-1

UL508 CSA C22.2 n° 14

Certificates

cULus

ETIM classification

ETIM 8.0

EC001037 -
Motor
starter/Motor
starter
combination