



| | |
|--------------------------|---------------------|
| Product designation | Reversing contactor |
| Product type designation | BGTP09 |

Electrical features

| | | |
|---|---|---|
| Maximum operating current ($\leq 440V$) | A | 9 |
|---|---|---|

Contact characteristics

| | | | |
|------------------------|---------------------------------------|---|---|
| Operational current Ie | AC-3 ($\leq 440V \leq 55^{\circ}C$) | A | 9 |
|------------------------|---------------------------------------|---|---|

| | | | |
|---|------|----|-----|
| Rated operational power AC-3 ($T \leq 55^{\circ}C$) | 230V | kW | 2.2 |
| | 400V | kW | 4 |
| | 415V | kW | 4.3 |
| | 440V | kW | 4.5 |
| | 500V | kW | 5 |

| | | |
|-----------------------------|----|---|
| Built-in auxiliary contacts | NO | 0 |
| | NC | 1 |

UL technical data

| | | | |
|--|-----------|----|-----|
| Maximum UL/CSA horsepower ratings single-phase | 110V-120V | HP | 0.5 |
| | 220V-240V | HP | 1.5 |

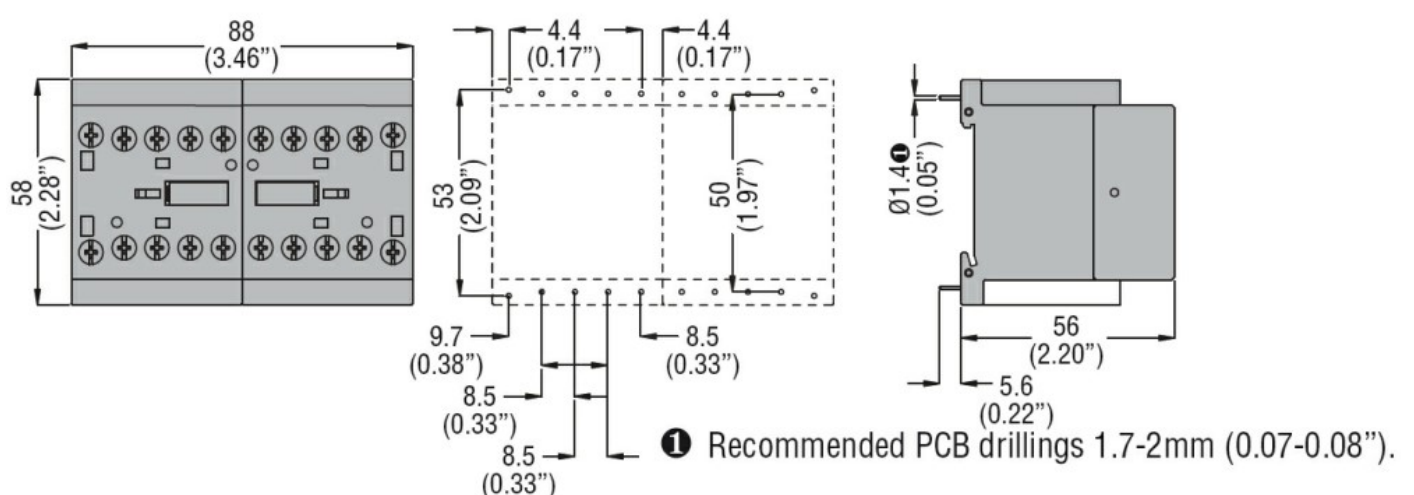
| | | | |
|---|-----------|----|---|
| Maximum UL/CSA horsepower ratings three-phase, 3-pole | 200V-208V | HP | 2 |
| | 220V-240V | HP | 3 |
| | 440V-480V | HP | 5 |

Mechanical features

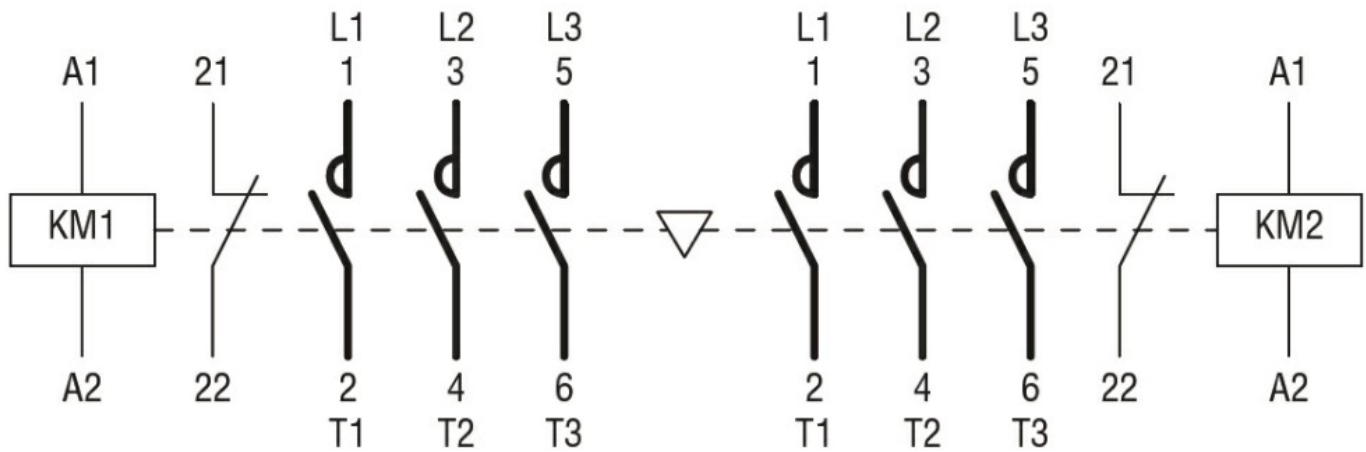
| | |
|----------------|-------------|
| Terminals type | Clamp screw |
|----------------|-------------|

| | | |
|--------|---|-----|
| Weight | g | 400 |
|--------|---|-----|

Dimensions



Wiring diagrams



Certifications and compliance

Compliance

IEC/EN 60947-1

IEC/EN 60947-4-1

UL508 CSA C22.2 n° 14

Certificates

cULus

ETIM classification

ETIM 8.0

EC001037 -
Motor
starter/Motor
starter
combination