



Product designation Reversing contactor  
Product type designation BGTP09

**Electrical features**

Maximum operating current ( $\leq 440V$ ) A 9

**Contact characteristics**

Operational current Ie AC-3 ( $\leq 440V \leq 55^\circ C$ ) A 9

| Rated operational power AC-3 ( $T \leq 55^\circ C$ ) | AC-3 ( $\leq 440V \leq 55^\circ C$ ) |    |     |
|--|--------------------------------------|----|-----|
|  | V                                    | kW | A   |
|  | 230V                                 | kW | 2.2 |
|  | 400V                                 | kW | 4   |
|  | 415V                                 | kW | 4.3 |
|  | 440V                                 | kW | 4.5 |
|  | 500V                                 | kW | 5   |

| Built-in auxiliary contacts |    |    |
|-----------------------------|----|----|
|                             | NO | NC |
|                             | 0  | 1  |

**UL technical data**

| Maximum UL/CSA horsepower ratings single-phase | V         | HP  | A   |
|--|-----------|-----|-----|
|  | 110V-120V | HP  | 0.5 |
| 220V-240V                                      | HP        | 1.5 |     |

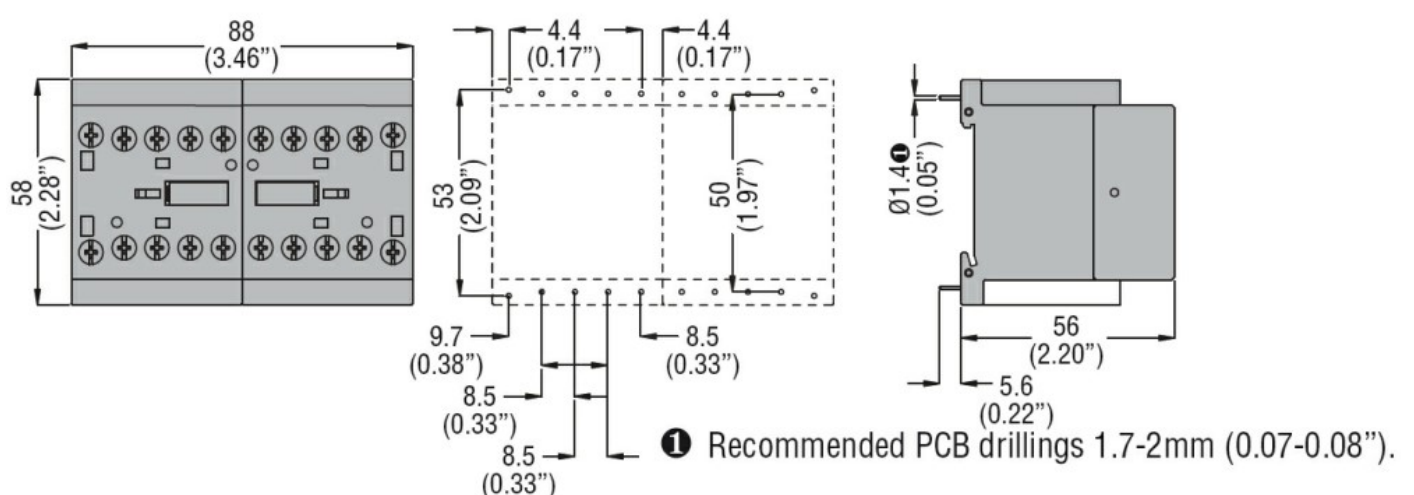
| Maximum UL/CSA horsepower ratings three-phase, 3-pole | V         | HP | A |
|---|-----------|----|---|
|   | 200V-208V | HP | 2 |
|   | 220V-240V | HP | 3 |
| 440V-480V   | HP        | 5  |   |

**Mechanical features**

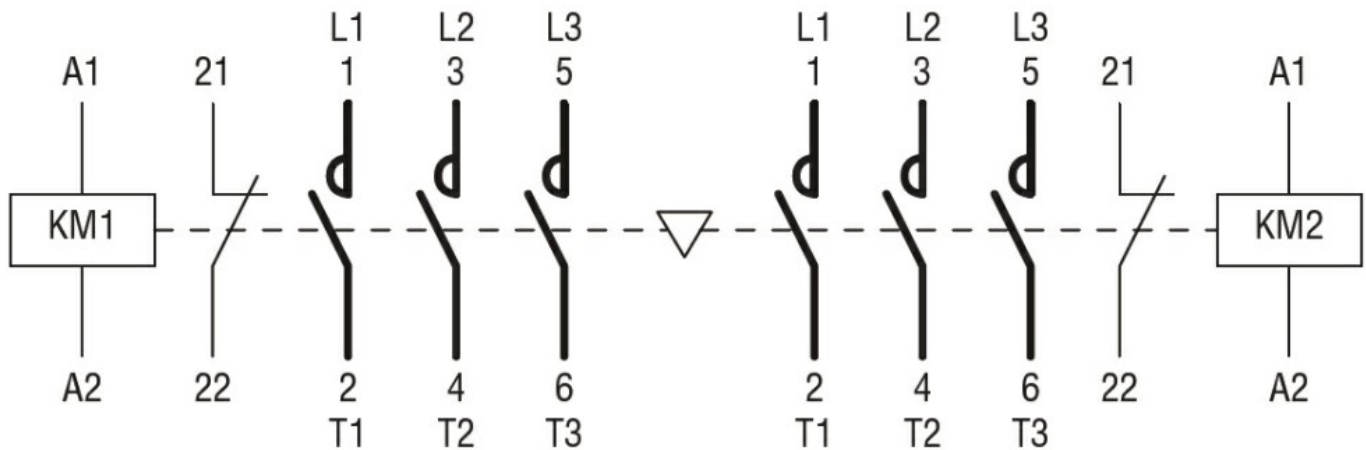
Terminals type Clamp screw

Weight g 400

**Dimensions**



**Wiring diagrams**



### Certifications and compliance

#### Compliance

IEC/EN 60947-1

IEC/EN 60947-4-1

UL508 CSA C22.2 n° 14

#### Certificates

cULus

### ETIM classification

ETIM 8.0

EC001037 -  
Motor  
starter/Motor  
starter  
combination