



Product designation Reversing contactor
Product type designation BGTP09

Electrical features

Maximum operating current ($\leq 440V$) A 9

Contact characteristics

Operational current Ie AC-3 ($\leq 440V \leq 55^{\circ}C$) A 9

Rated operational power AC-3 ($T \leq 55^{\circ}C$)	AC-3 ($\leq 440V \leq 55^{\circ}C$)		
	V	kW	A
	230V	kW	2.2
	400V	kW	4
	415V	kW	4.3
	440V	kW	4.5
	500V	kW	5

Built-in auxiliary contacts		
	NO	NC
	0	1

UL technical data

Maximum UL/CSA horsepower ratings single-phase	V	HP	A
	110V-120V	HP	0.5
220V-240V	HP	1.5	

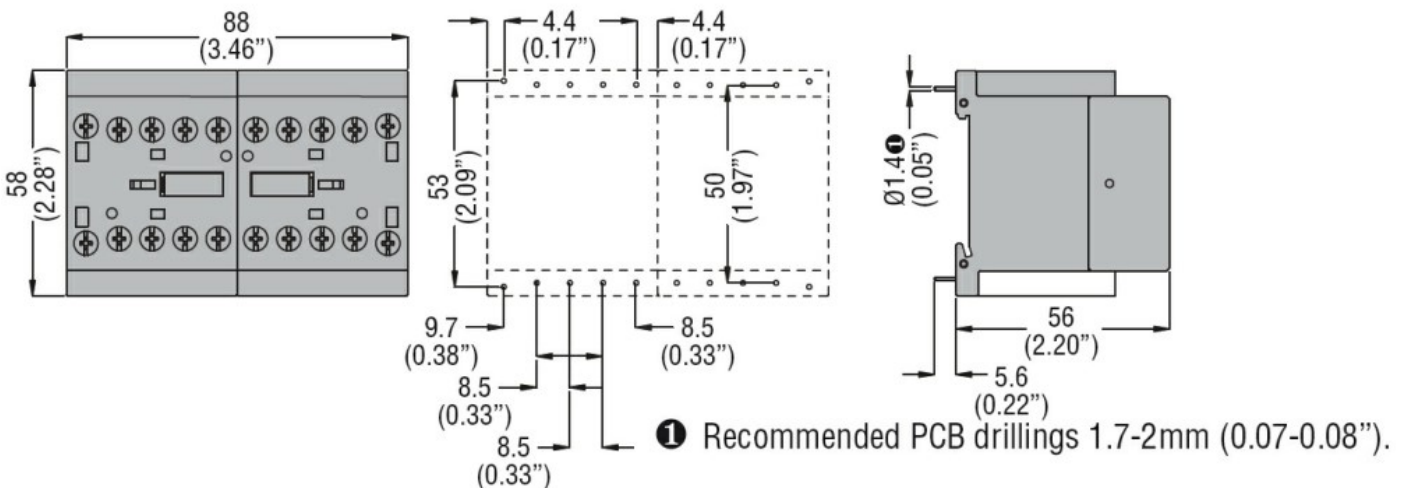
Maximum UL/CSA horsepower ratings three-phase, 3-pole	V	HP	A
	200V-208V	HP	2
	220V-240V	HP	3
440V-480V	HP	5	

Mechanical features

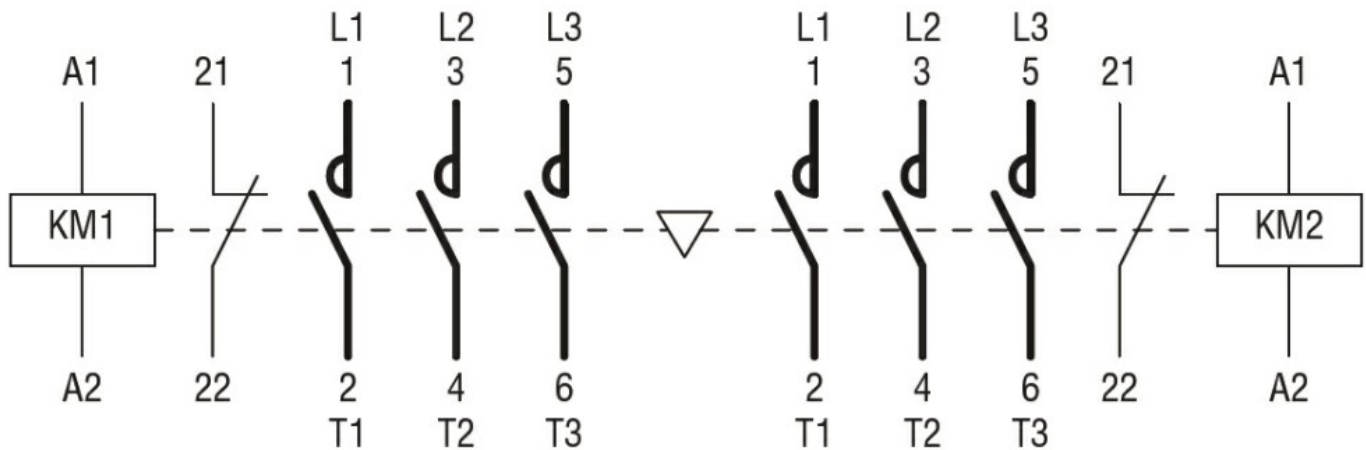
Terminals type Clamp screw

Weight g 400

Dimensions



Wiring diagrams



Certifications and compliance

Compliance

IEC/EN 60947-1

IEC/EN 60947-4-1

UL508 CSA C22.2 n° 14

Certificates

cULus

ETIM classification

ETIM 8.0

EC001037 -
Motor
starter/Motor
starter
combination