



Product designation

Toroidal current transformers

General characteristics

Residual operation characteristic

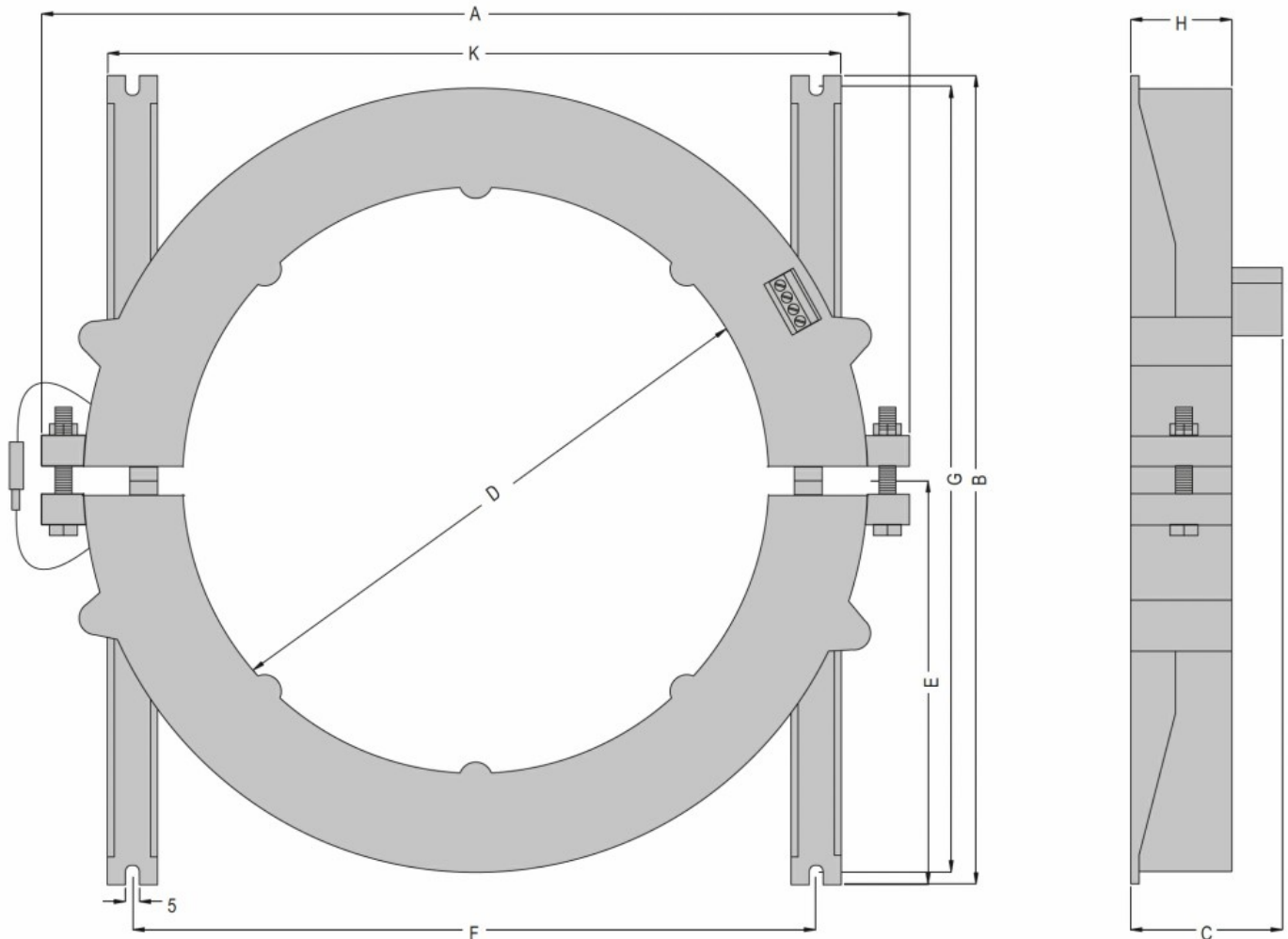
Type B

Control circuit

Toroidal transformer

Diam. 210 mm/8.27"

Dimensions



TYPE/TIPO	A	B	C	D	E	F	G	H	K
RTB210	310	290	54	210	145	240	280	36	258

Certifications and compliance

Compliant with standards

IEC/EN/BS 60947-2

ETIM classification

ETIM 8.0

EC002048 -
Current
transformer