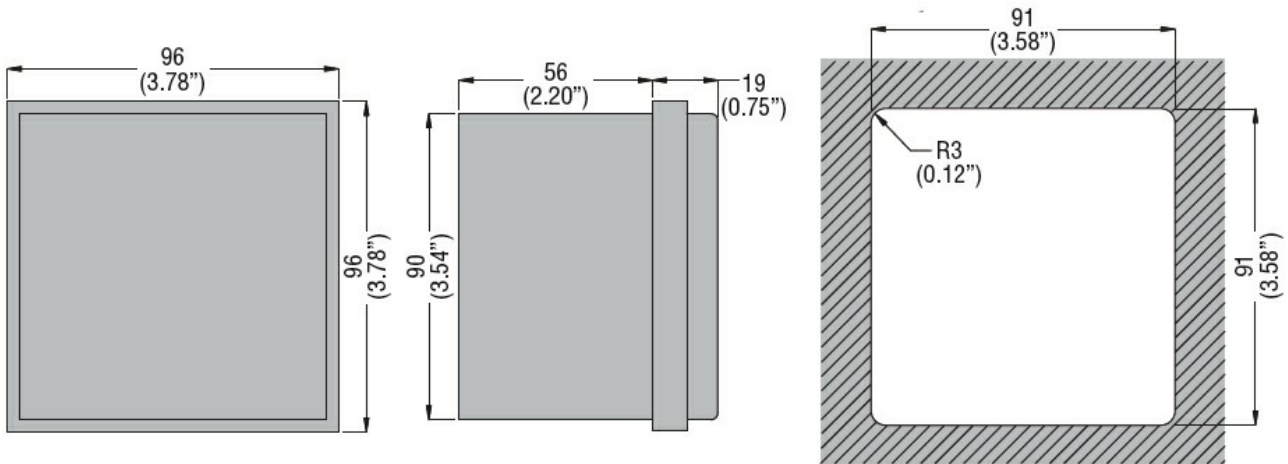


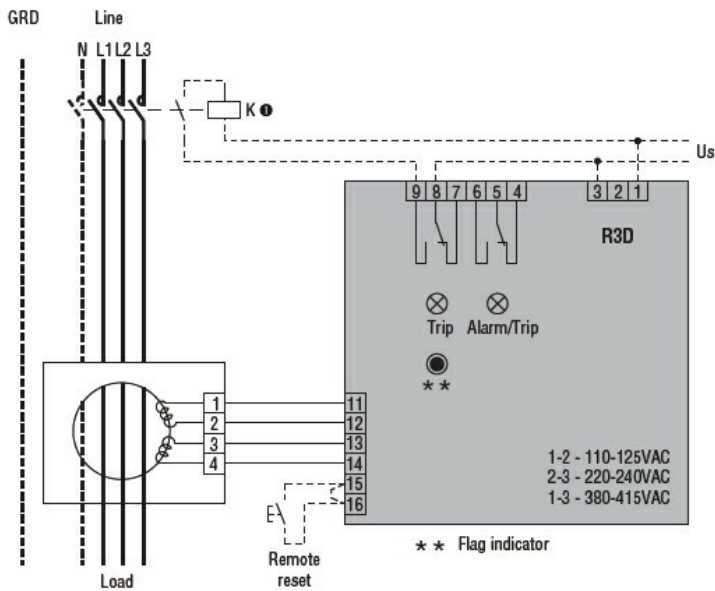


Product designation				Earth leakage relays
Product type designation				R3D
<b>General characteristics</b>				
Description				Flush mount with transparent cover, 2 operating thresholds
Residual operation characteristic				Type A
N° of operating threshold				2
<b>Control circuit</b>				
Toroidal transformer				External
Adjustments	Tripping set-point ( $I\Delta n$ )	(x0.1)	A	0.025...0.25
		(x1)	A	0.25...2.5
		(x10)	A	2.5...25
		(external multiplier)	A	25...250
	Prealarm set-point		$I\Delta n$	70% $I\Delta n$ (fixed)
	Tripping delay time	(tx1)	s	0.02...0.5
		(tx10)	s	0.2...5
Selection of multiplier for $I\Delta n$ and t				By dip switches
Resetting				Automatic by remote contact closing. Manual by button on front or remote contact closing
Test Button				Yes
Shunt circuit control				No
<b>Auxiliary supply</b>				
Auxiliary rated supply voltage $U_s$				110...125/220...240/380...415VAC
Operational limits				110...125VAC or 220...240VAC or 380...415VAC
Output contacts				2
Rated frequency				Hz 50...60
Power consumption Max				VA 4.5
<b>Relay outputs</b>				

Relay state				Configurable normally de-energised or energised
Contact arrangement				2 changeover SPDT each (configurable: 2 trip or 1 trip and 1 alarm)
Rated contact capacity IEC Ith				5A - 250VAC
<b>Insulations</b>				
Power frequency withstand voltage		kV	2.5kV for 60s	
<b>Indications</b>				
Auxiliary voltage available (ON)				Green LED
Relay tripping (TRIP)				Red LED
Trip prealarm (ALARM)				Red LED
Mechanical (TRIP MEMORY)				Flag indicator
<b>Connections</b>				
Terminals type				Fixed
Tightening torque for terminals		max	Nm	0.5
		max	lbin	4.5
Conductor section	AWG/Kcmil		min	24
			max	12
	IEC		min	mm <sup>2</sup> 0.2
			max	mm <sup>2</sup> 2.5
<b>Operations</b>				
Mechanical life			cycles	50000000
Electrical life			cycles	300000
<b>Ambient conditions</b>				
Temperature	Operating temperature		min	°C -10
			max	°C +60
	Storage temperature		min	°C -20
			max	°C +80
Relative humidity			%	≤90%
<b>Housing</b>				
Material				Self-extinguishing polycarbonate
Mounting				Flush mount
Degree of protection				IP40 with protecting cover, IP20 terminals
Dimensions (W x H x D)		mm	96x96x75	
Weight		g	405	
<b>Dimensions</b>				



### Wiring diagrams



### Certifications and compliance

Compliant with standards

IEC/EN 60947-2

Certificates

EAC

### ETIM classification

ETIM 8.0

EC001445 -  
Residual current  
monitoring relay