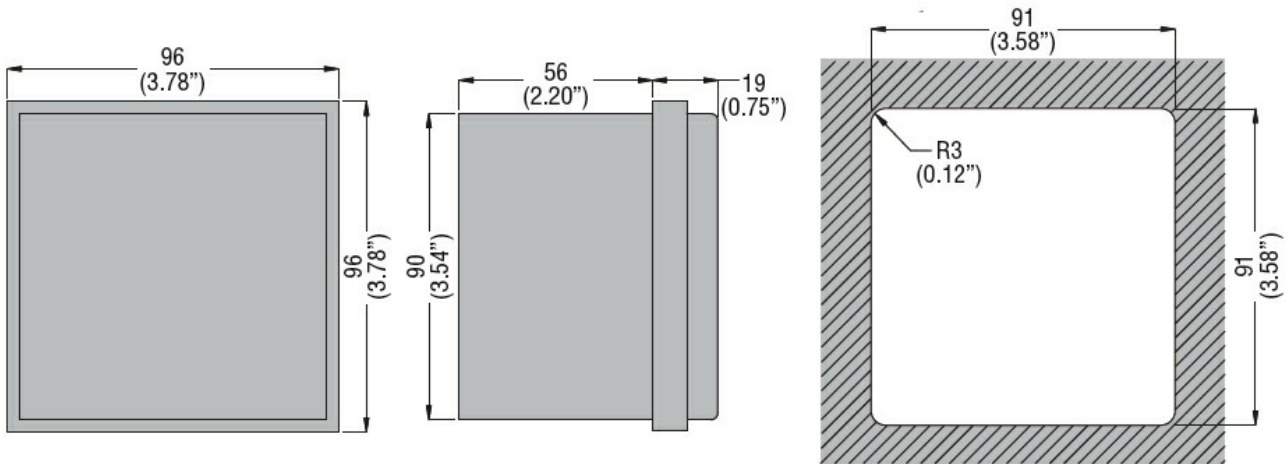


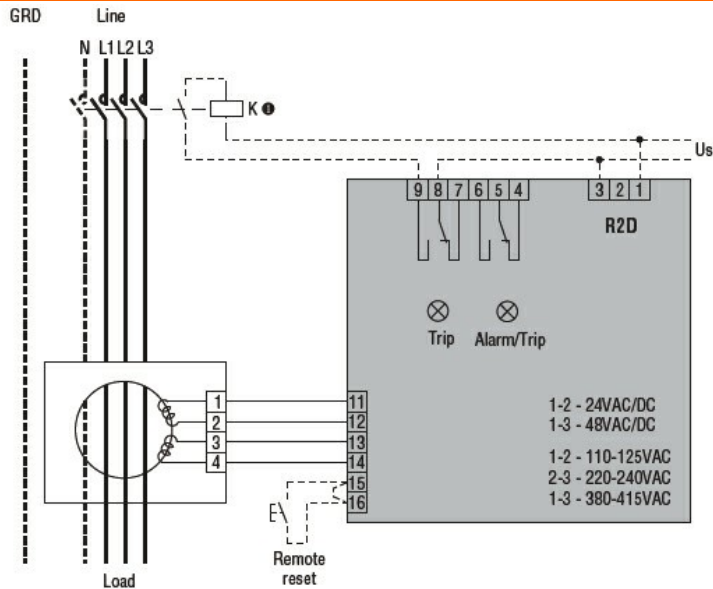


Product designation	Earth leakage relays		
Product type designation	R2D		
<b>General characteristics</b>			
Description	Flush mount with transparent cover, 2 operating thresholds		
Residual operation characteristic	Type A		
N° of operating threshold	2		
<b>Control circuit</b>			
Toroidal transformer	External		
Adjustments			
Tripping set-point ( $I\Delta n$ )	(x0.1)	A	0.025...0.25
	(x1)	A	0.25...2.5
	(x10)	A	2.5...25
	(external multiplier)	A	25...250
Prealarm set-point		$I\Delta n$	70% $I\Delta n$ (fixed)
Tripping delay time	(tx1)	s	0.02...0.5
	(tx10)	s	0.2...5
Selection of multiplier for $I\Delta n$ and t	By dip switches		
Resetting	Automatic by remote contact closing. Manual by button on front or remote contact closing		
Test Button	Yes		
Shunt circuit control	No		
<b>Auxiliary supply</b>			
Auxiliary rated supply voltage $U_s$	110...125/220...240/380...415VAC		
Operational limits	110...125VAC or 220...240VAC or 380...415VAC		
Output contacts	2		
Rated frequency	Hz	50...60	
Power consumption Max	VA	4.5	
<b>Relay outputs</b>			

Relay state				Configurable normally de-energised or energised
Contact arrangement				2 changeover SPDT each (configurable: 2 trip or 1 trip and 1 alarm)
Rated contact capacity IEC Ith				5A - 250VAC
<b>Insulations</b>				
Power frequency withstand voltage			kV	2.5kV for 60s
<b>Indications</b>				
Auxiliary voltage available (ON)				Green LED
Relay tripping (TRIP)				Red LED
Trip prealarm (ALARM)				Red LED
<b>Connections</b>				
Terminals type				Fixed
Tightening torque for terminals			max Nm	0.5
			max lbin	4.5
Conductor section				
	AWG/Kcmil			
		min		24
		max		12
	IEC			
		min	mm <sup>2</sup>	0.2
		max	mm <sup>2</sup>	2.5
<b>Operations</b>				
Mechanical life			cycles	50000000
Electrical life			cycles	300000
<b>Ambient conditions</b>				
Temperature				
	Operating temperature			
		min	°C	-10
		max	°C	+60
	Storage temperature			
		min	°C	-20
		max	°C	+80
Relative humidity			%	≤90%
<b>Housing</b>				
Material				Self-extinguishing polycarbonate
Mounting				Flush mount
Degree of protection				IP40 with protecting cover, IP20 terminals
Dimensions (W x H x D)			mm	96x96x75
Weight			g	395
<b>Dimensions</b>				



### Wiring diagrams



### Certifications and compliance

Compliant with standards

IEC/EN 60947-2

Certificates

EAC

### ETIM classification

ETIM 8.0

EC001445 -  
Residual current  
monitoring relay