



Product designation	Earth leakage relays		
Product type designation	R1D		
General characteristics			
Description	Flush mount with transparent cover, 1 operating threshold		
Residual operation characteristic	Type A		
N° of operating threshold	1		
Control circuit			
Toroidal transformer	External		
Adjustments			
Tripping set-point ($I_{\Delta n}$)	(x0.1)	A	0.025...0.25
	(x1)	A	0.25...2.5
	(x10)	A	2.5...25
	(external multiplier)	A	25...250
Tripping delay time	(tx1)	s	0.02...0.5
	(tx10)	s	0.2...5
Selection of multiplier for $I_{\Delta n}$ and t	By dip switches		
Resetting	Configurable automatic or manual by button on front		
Test Button	Yes		
Shunt circuit control	No		
Auxiliary supply			
Auxiliary rated supply voltage U_s	110... 125VAC/DC;220... 240/380... 415VAC		
Operational limits	110... 125VAC/DC or 220...240VAC or 380...415VAC		
Output contacts	1		
Rated frequency	Hz	50...60	
Power consumption Max	VA	5.5	
Relay outputs			
Relay state	Normally de-energised		
Contact arrangement	1 changeover SPDT (trip)		
Rated contact capacity IEC I_{th}	5A - 250VAC		

Insulations

Power frequency withstand voltage kV 2.5kV for 60s

Indications

Auxiliary voltage available (ON) Green LED

Relay tripping (TRIP) Red LED

Connections

Terminals type Fixed

Tightening torque for terminals

max Nm 0.5
max lbin 4.5

Conductor section

AWG/Kcmil

min 24
max 12

IEC

min mm² 0.2
max mm² 2.5

Operations

Mechanical life cycles 50000000

Electrical life cycles 300000

Ambient conditions

Temperature

Operating temperature

min °C -10
max °C +60

Storage temperature

min °C -20
max °C +80

Relative humidity % ≤90%

Housing

Material Self-extinguishing polycarbonate

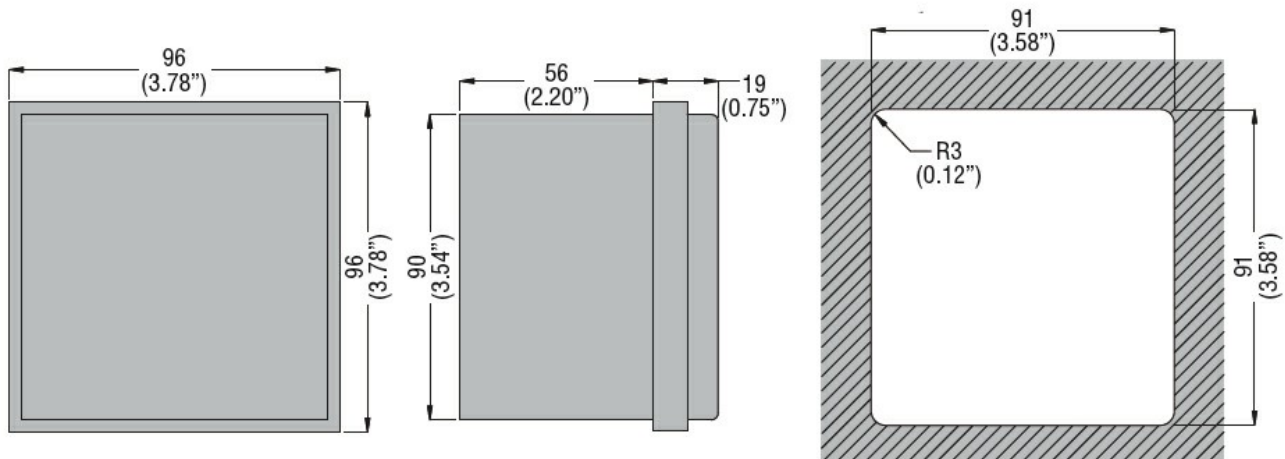
Mounting Flush mount

Degree of protection IP40 with protecting cover, IP20 terminals

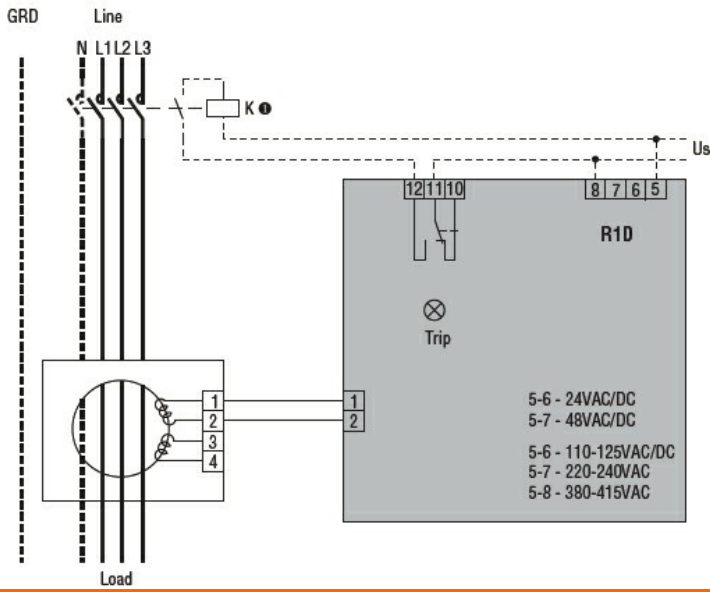
Dimensions (W x H x D) mm 96x96x75

Weight g 280

Dimensions



Wiring diagrams



Certifications and compliance

Compliant with standards

IEC/EN 60947-2

Certificates

EAC

ETIM classification

ETIM 8.0

EC001445 -
Residual current
monitoring relay