



Toroidal current transformers

Product designation

General characteristics

Residual operation characteristic

Type A

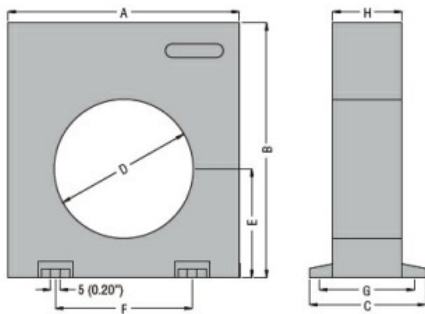
Control circuit

Toroidal transformer

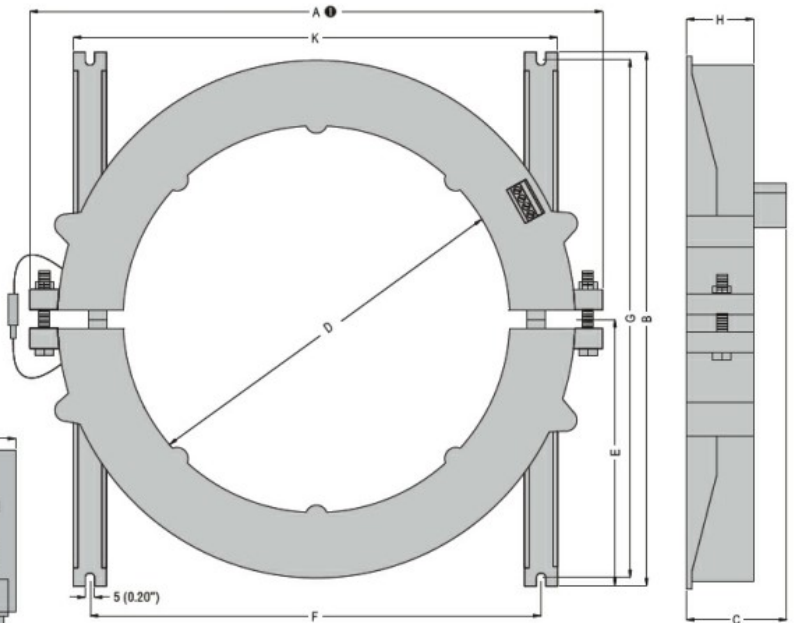
Diam. 110 mm/4.33"

Dimensions

RT35 - RT60 - RT80 - RT110 - RX10

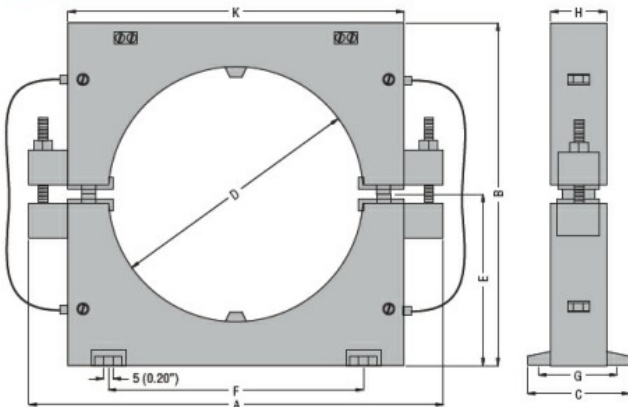


RT210 - RTA210



● With screws, for RTA210 split-core type; fixed structure, without screws, for RT210 type.

RTA110



| TYPE | A | B | C | D | E | F | G | H | K |
|--------|--------------|--------------|------------|-------------|-------------|-------------|--------------|------------|--------------|
| RT35 | 100 (3.94") | 110 (4.33") | 50 (1.97") | 35 (1.38") | 47 (1.85") | 60 (2.36") | 43 (1.69") | 30 (1.18") | — |
| RT60 | 100 (3.94") | 110 (4.33") | 50 (1.97") | 60 (2.36") | 47 (1.85") | 60 (2.36") | 43 (1.69") | 30 (1.18") | — |
| RT80 | 150 (5.90") | 160 (6.30") | 50 (1.97") | 80 (3.15") | 70 (2.75") | 110 (4.33") | 43 (1.69") | 30 (1.18") | — |
| RT110 | 150 (5.90") | 160 (6.30") | 50 (1.97") | 110 (4.33") | 70 (2.75") | 110 (4.33") | 43 (1.69") | 30 (1.18") | — |
| RT210 | 310 (12.20") | 290 (11.41") | 54 (2.12") | 210 (8.27") | 145 (5.71") | 240 (9.45") | 280 (11.02") | 36 (1.42") | 258 (10.16") |
| RTA110 | 180 (7.09") | 150 (5.90") | 45 (1.77") | 110 (4.33") | 75 (2.95") | 110 (4.33") | 38 (1.50") | 25 (0.98") | 145 (5.71") |
| RTA210 | 310 (12.20") | 290 (11.41") | 54 (2.12") | 210 (8.27") | 145 (5.71") | 240 (9.45") | 280 (11.02") | 36 (1.42") | 258 (10.16") |
| RX10 | 100 (3.94") | 110 (4.33") | 50 (1.97") | — | — | 60 (2.36") | 43 (1.69") | 30 (1.18") | — |

Certifications and compliance

Compliant with standards

IEC/EN 60947-2

Certificates

EAC

ETIM classification

ETIM 8.0

EC002048 -
Current
transformer