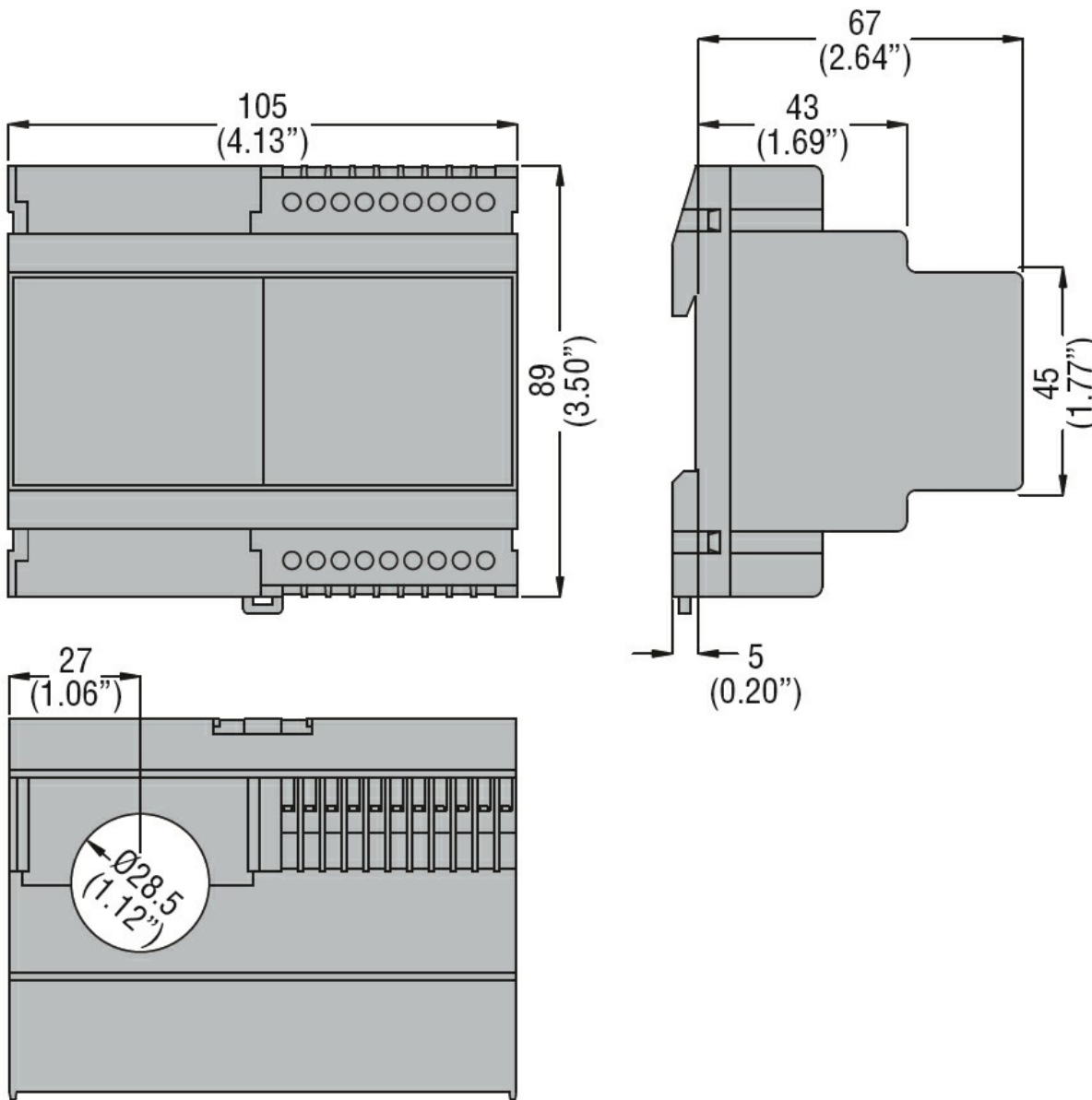


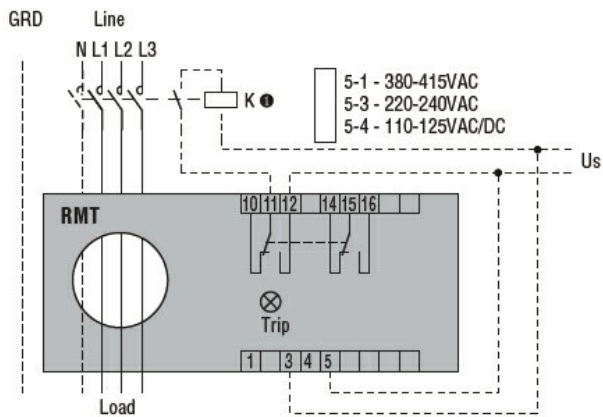


Product designation				Earth leakage relays
Product type designation				RMT
<b>General characteristics</b>				
Description				Modular with transparent cover, 1 operating threshold
Residual operation characteristic				Type A
N° of operating threshold				1
<b>Control circuit</b>				
Toroidal transformer				Incorporated diam. 28mm/1.1"
Adjustments	Tripping set-point ( $I_{\Delta n}$ )	(x0.1)	A	0.025...0.25
		(x1)	A	0.25...2.5
		(x10)	A	2.5...25
	Tripping delay time	(tx1)	s	0.02...0.5
		(tx10)	s	0.2...5
Selection of multiplier for $I_{\Delta n}$ and t				By dip switches
Resetting				Configurable automatic or manual by button on front
Test Button				Yes
Shunt circuit control				No
<b>Auxiliary supply</b>				
Auxiliary rated supply voltage $U_s$				110... 125VAC/DC;220... 240/380... 415VAC
Operational limits				110... 125VAC/DC or 220...240VAC or 380...415VAC
Output contacts				2
Rated frequency			Hz	50...60
Power consumption Max			VA	3
<b>Relay outputs</b>				
Relay state				Configurable normally de-energised or energised

Contact arrangement				2 changeover SPDT each (both trip)
Rated contact capacity IEC Ith				5A - 250VAC
<b>Insulations</b>				
Power frequency withstand voltage	kV			2.5kV for 60s
<b>Indications</b>				
Auxiliary voltage available (ON)				Green LED
Relay tripping (TRIP)				Red LED
<b>Connections</b>				
Terminals type				Fixed
Tightening torque for terminals		max	Nm	0.5
		max	lbin	4.5
Conductor section				
	AWG/Kcmil			
		min		24
		max		12
	IEC			
		min	mm <sup>2</sup>	0.2
		max	mm <sup>2</sup>	2.5
<b>Operations</b>				
Mechanical life				cycles 50000000
Electrical life				cycles 300000
<b>Ambient conditions</b>				
Temperature				
	Operating temperature			
		min	°C	-10
		max	°C	+60
	Storage temperature			
		min	°C	-20
		max	°C	+80
Relative humidity				% ≤90%
<b>Housing</b>				
Material				Self-extinguishing polycarbonate
Mounting				35mm DIN rail
Degree of protection				IP20 terminals
Dimensions (W x H x D)	mm			105x89x72
Weight	g			375
<b>Dimensions</b>				



### Wiring diagrams



### Certifications and compliance

Compliant with standards

IEC/EN 60947-2

Certificates

EAC

ETIM classification

ETIM 8.0

EC001445 -  
Residual current  
monitoring relay