



Product designation	Earth leakage relays																										
Product type designation	RM																										
<b>General characteristics</b>																											
Description	Modular with transparent cover, 1 operating threshold																										
Residual operation characteristic	Type A																										
N° of operating threshold	1																										
<b>Control circuit</b>																											
Toroidal transformer	External																										
Adjustments	<table border="0"> <tr> <td>Tripping set-point (<math>I_{\Delta n}</math>)</td> <td>(x0.1)</td> <td>A</td> <td>0.025...0.25</td> </tr> <tr> <td></td> <td>(x1)</td> <td>A</td> <td>0.25...2.5</td> </tr> <tr> <td></td> <td>(x10)</td> <td>A</td> <td>2.5...25</td> </tr> <tr> <td></td> <td>(external multiplier)</td> <td>A</td> <td>25...250</td> </tr> <tr> <td>Tripping delay time</td> <td>(tx1)</td> <td>s</td> <td>0.02...0.5</td> </tr> <tr> <td></td> <td>(tx10)</td> <td>s</td> <td>0.2...5</td> </tr> </table>			Tripping set-point ( $I_{\Delta n}$ )	(x0.1)	A	0.025...0.25		(x1)	A	0.25...2.5		(x10)	A	2.5...25		(external multiplier)	A	25...250	Tripping delay time	(tx1)	s	0.02...0.5		(tx10)	s	0.2...5
Tripping set-point ( $I_{\Delta n}$ )	(x0.1)	A	0.025...0.25																								
	(x1)	A	0.25...2.5																								
	(x10)	A	2.5...25																								
	(external multiplier)	A	25...250																								
Tripping delay time	(tx1)	s	0.02...0.5																								
	(tx10)	s	0.2...5																								
Selection of multiplier for $I_{\Delta n}$ and t	By dip switches																										
Resetting	Configurable automatic or manual by button on front																										
Test Button	Yes																										
Shunt circuit control	No																										
<b>Auxiliary supply</b>																											
Auxiliary rated supply voltage $U_s$	24-48VAC/DC																										
Output contacts	1																										
Rated frequency	Hz	50...60																									
Power consumption Max	VA	3																									
<b>Relay outputs</b>																											
Relay state	Normally de-energised																										
Contact arrangement	1 changeover SPDT (trip)																										
Rated contact capacity IEC $I_{th}$	5A - 250VAC																										
<b>Insulations</b>																											
Power frequency withstand voltage	kV	2.5kV for 60s																									
<b>Indications</b>																											
Auxiliary voltage available (ON)	Green LED																										
Relay tripping (TRIP)	Red LED																										
<b>Connections</b>																											

Terminals type	Fixed		
Tightening torque for terminals	max	Nm	0.5
	max	lbin	4.5
Conductor section			
AWG/Kcmil	min	24	
	max	12	
IEC	min	mm <sup>2</sup>	0.2
	max	mm <sup>2</sup>	2.5

**Operations**

Mechanical life	cycles	50000000
Electrical life	cycles	300000

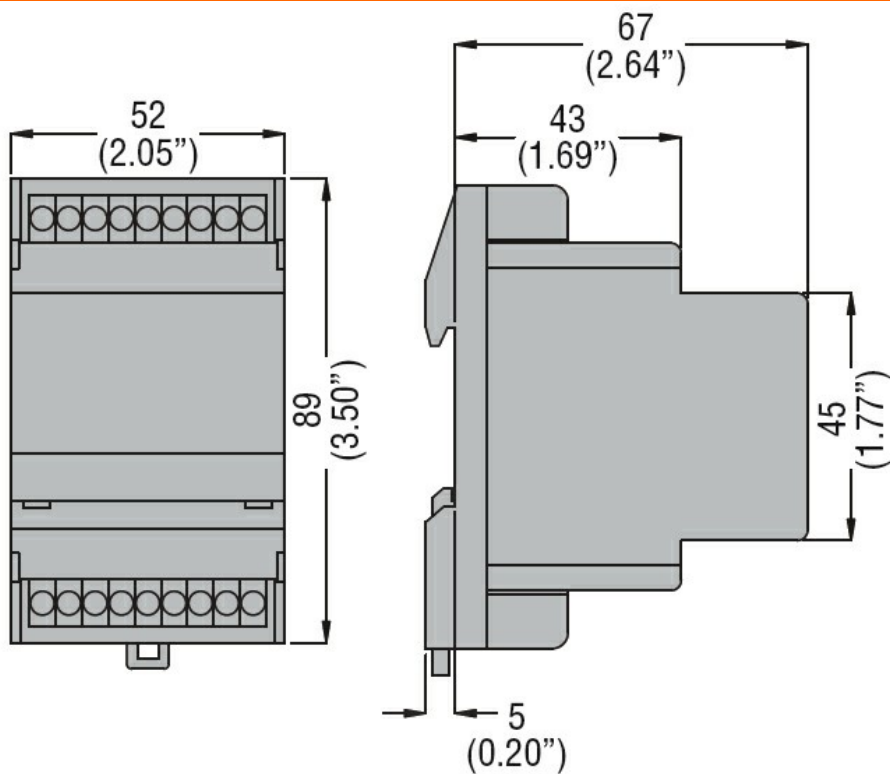
**Ambient conditions**

Temperature			
Operating temperature	min	°C	-10
	max	°C	+60
Storage temperature	min	°C	-20
	max	°C	+80
Relative humidity		%	≤90%

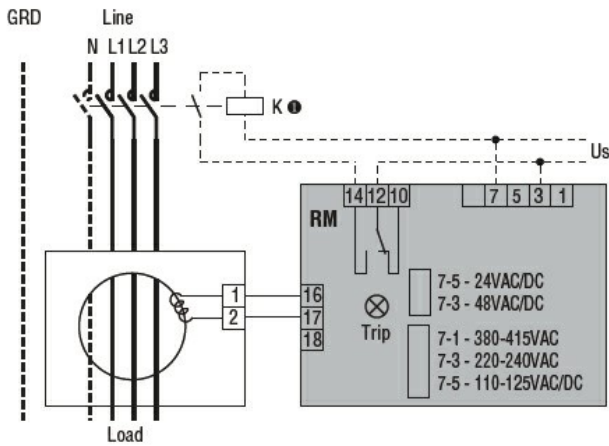
**Housing**

Material	Self-extinguishing polycarbonate	
Mounting	35mm DIN rail	
Degree of protection	IP20 terminals	
Dimensions (W x H x D)	mm	52x89x72
Weight	g	190

**Dimensions**



**Wiring diagrams**



**Certifications and compliance**

Compliant with standards

IEC/EN 60947-2

Certificates

EAC

**ETIM classification**

ETIM 8.0

EC001445 -  
Residual current  
monitoring relay