



Product designation				Earth leakage relays
Product type designation				RM
General characteristics				
Description				Modular with transparent cover, 1 operating threshold
Residual operation characteristic				Type A
N° of operating threshold				1
Control circuit				
Toroidal transformer				External
Adjustments				
	Tripping set-point ($I_{\Delta n}$)			
		(x0.1)	A	0.025...0.25
		(x1)	A	0.25...2.5
		(x10)	A	2.5...25
		(external multiplier)	A	25...250
	Tripping delay time			
		(tx1)	s	0.02...0.5
		(tx10)	s	0.2...5
Selection of multiplier for $I_{\Delta n}$ and t				By dip switches
Resetting				Configurable automatic or manual by button on front
Test Button				Yes
Shunt circuit control				No
Auxiliary supply				
Auxiliary rated supply voltage U_s				110... 125VAC/DC;220... 240/380... 415VAC
Operational limits				110... 125VAC/DC or 220...240VAC or 380...415VAC
Output contacts				1
Rated frequency			Hz	50...60
Power consumption Max			VA	3
Relay outputs				
Relay state				Normally de-energised
Contact arrangement				1 changeover SPDT (trip)
Rated contact capacity IEC I_{th}				5A - 250VAC

Insulations

Power frequency withstand voltage kV 2.5kV for 60s

Indications

Auxiliary voltage available (ON) Green LED

Relay tripping (TRIP) Red LED

Connections

Terminals type Fixed

Tightening torque for terminals

max Nm 0.5
max lbin 4.5

Conductor section

AWG/Kcmil

min 24
max 12

IEC

min mm² 0.2
max mm² 2.5

Operations

Mechanical life cycles 50000000

Electrical life cycles 300000

Ambient conditions

Temperature

Operating temperature

min °C -10
max °C +60

Storage temperature

min °C -20
max °C +80

Relative humidity % ≤90%

Housing

Material Self-extinguishing polycarbonate

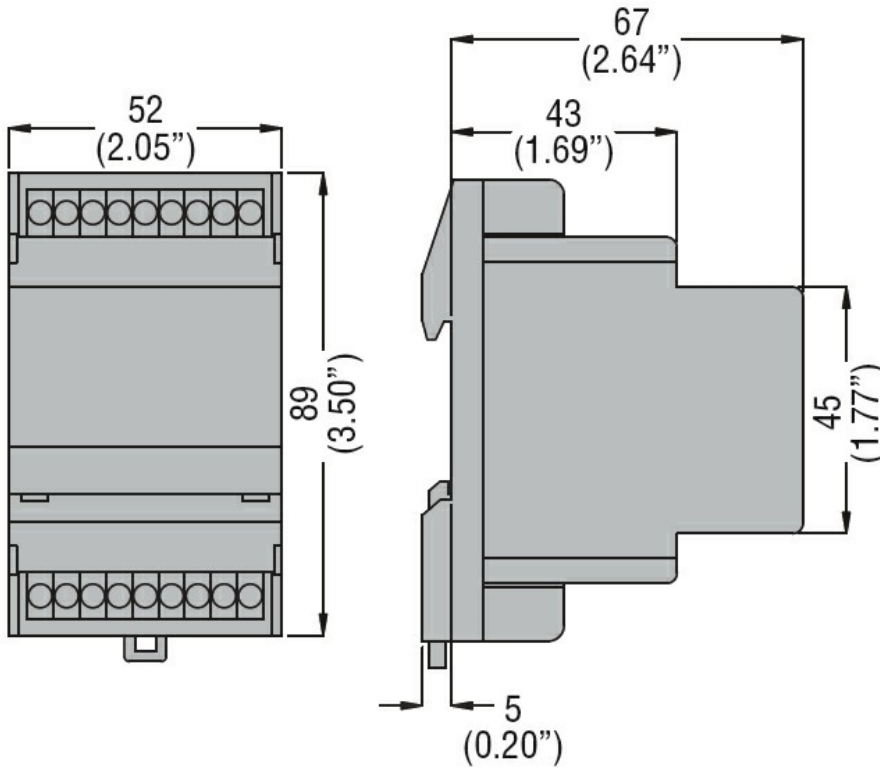
Mounting 35mm DIN rail

Degree of protection IP20 terminals

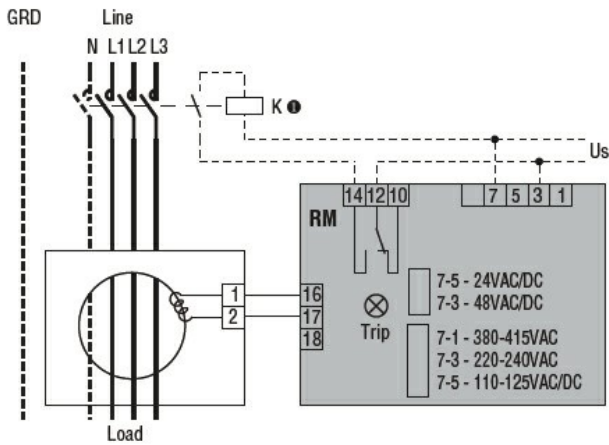
Dimensions (W x H x D) mm 52x89x72

Weight g 190

Dimensions



Wiring diagrams



Certifications and compliance

Compliant with standards

IEC/EN 60947-2

Certificates

EAC

ETIM classification

ETIM 8.0

EC001445 -
Residual current
monitoring relay