



Product designation				Earth leakage relays
Product type designation				RC
General characteristics				
Description				Compact, 1 operating threshold
Residual operation characteristic				Type A
N° of operating threshold				1
Control circuit				
Toroidal transformer				Incorporated diam. 35mm/1.38"
Adjustments				
	Tripping set-point ($I_{\Delta n}$)			
		(x0.1)	A	0.025...0.25
		(x1)	A	0.25...2.5
		(x10)	A	2.5...25
	Tripping delay time			
		(tx1)	s	0.02...0.5
		(tx10)	s	0.2...5
Selection of multiplier for $I_{\Delta n}$ and t				By dip switches
Resetting				Configurable automatic or manual by button on front
Test Button				Yes
Shunt circuit control				No
Auxiliary supply				
Auxiliary rated supply voltage U_s				24-48VAC/DC
Output contacts				1
Rated frequency			Hz	50...60
Power consumption Max			VA	3
Relay outputs				
Relay state				Normally de-energised
Contact arrangement				1 changeover SPDT (trip)
Rated contact capacity IEC I_{th}				5A - 250VAC
Insulations				
Power frequency withstand voltage			kV	2.5kV for 60s
Indications				
Auxiliary voltage available (ON)				Green LED
Relay tripping (TRIP)				Red LED
Connections				
Terminals type				Fixed

Tightening torque for terminals

max	Nm	0.5
max	lbin	4.5

Conductor section

AWG/Kcmil

min		24
max		12

IEC

min	mm ²	0.2
max	mm ²	2.5

Operations

Mechanical life

cycles 50000000

Electrical life

cycles 300000

Ambient conditions

Temperature

Operating temperature

min	°C	-10
max	°C	+60

Storage temperature

min	°C	-20
max	°C	+80

Relative humidity

% ≤90%

Housing

Material

Self-extinguishing polycarbonate

Mounting

35mm DIN rail

Degree of protection

IP20 terminals

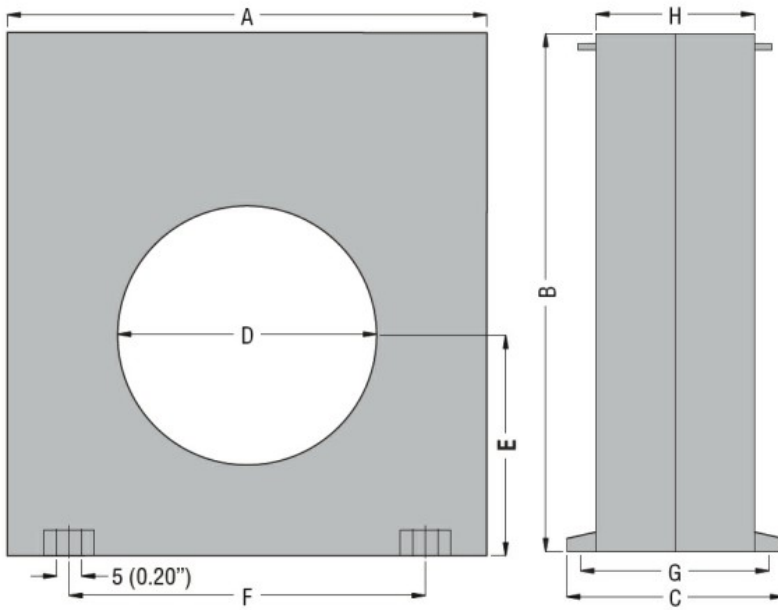
Dimensions (W x H x D)

mm 100x110x70

Weight

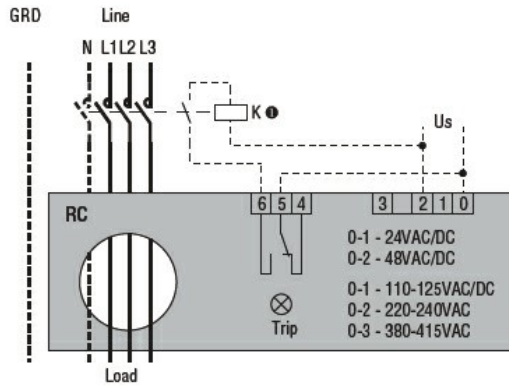
g 485

Dimensions



TYPE	A	B	C	D	E	F	G	H
RC35	100 (3.94")	110 (4.33")	70 (2.75")	35 (1.38")	47 (1.85")	60 (2.36")	60 (2.36")	50 (1.97")
RC60	100 (3.94")	110 (4.33")	70 (2.75")	60 (2.36")	47 (1.85")	60 (2.36")	60 (2.36")	50 (1.97")
RC80	150 (5.90")	160 (6.30")	70 (2.75")	80 (3.15")	70 (2.75")	110 (4.33")	60 (2.36")	50 (1.97")
RC110	150 (5.90")	160 (6.30")	70 (2.75")	110 (4.33")	70 (2.75")	110 (4.33")	60 (2.36")	50 (1.97")

Wiring diagrams



Certifications and compliance

Compliant with standards

IEC/EN 60947-2

Certificates

EAC

ETIM classification

ETIM 8.0

EC001445 -
Residual current
monitoring relay