

LOVATO ELECTRIC S.P.A.

24020 GORLE (BERGAMO) ITALIA
VIA DON E. MAZZA, 12
TEL. 035 4282111
E-mail info@LovatoElectric.com
Web www.LovatoElectric.com



GB DIGITAL MULTIMETER

Installation manual

DMG500 - DMG510



WARNING!

- Carefully read the manual before the installation or use.
- This equipment is to be installed by qualified personnel, complying to current standards, to avoid damages or safety hazards.
- Before any maintenance operation on the device, remove all the voltages from measuring and supply inputs and short-circuit the CT input terminals.
- The manufacturer cannot be held responsible for electrical safety in case of improper use of the equipment.
- Products illustrated herein are subject to alteration and changes without prior notice. Technical data and descriptions in the documentation are accurate, to the best of our knowledge, but no liabilities for errors, omissions or contingencies arising there from are accepted.
- A circuit breaker must be included in the electrical installation of the building. It must be installed close by the equipment and within easy reach of the operator. It must be marked as the disconnecting device of the equipment: IEC/EN 61010-1 § 6.11.3.1.
- Clean the device with a soft dry cloth; do not use abrasives, liquid detergents or solvents.



ATTENTION !

- Lire attentivement le manuel avant toute utilisation et installation.
- Ces appareils doivent être installés par un personnel qualifié, conformément aux normes en vigueur en matière d'installations, afin d'éviter de causer des dommages à des personnes ou choses.
- Avant toute intervention sur l'instrument, mettre les entrées de mesure et d'alimentation hors tension et court-circuiter les transformateurs de courant.
- Le constructeur n'assume aucune responsabilité quant à la sécurité électrique en cas d'utilisation impropre du dispositif.
- Les produits décrits dans ce document sont susceptibles d'évoluer ou de subir des modifications à n'importe quel moment. Les descriptions et caractéristiques techniques du catalogue ne peuvent donc avoir aucune valeur contractuelle.
- Un interrupteur ou disjoncteur doit être inclus dans l'installation électrique du bâtiment. Celui-ci doit se trouver tout près de l'appareil et l'opérateur doit pouvoir y accéder facilement. Il doit être marqué comme le dispositif d'interruption de l'appareil : IEC/EN 61010-1 § 6.11.3.1.
- Nettoyer l'appareil avec un chiffon doux, ne pas utiliser de produits abrasifs, détergents liquides ou solvants.



ACHTUNG!

- Dieses Handbuch vor Gebrauch und Installation aufmerksam lesen.
- Zur Vermeidung von Personen- und Sachschäden dürfen diese Geräte nur von qualifiziertem Fachpersonal und unter Befolgung der einschlägigen Vorschriften installiert werden.
- Vor jedem Eingriff am Instrument die Spannungszufuhr zu den Messeingängen trennen und die Stromwandler kurzschließen.
- Bei zweckwidrigem Gebrauch der Vorrichtung übernimmt der Hersteller keine Haftung für die elektrische Sicherheit.
- Die in dieser Broschüre beschriebenen Produkte können jederzeit weiterentwickelt und geändert werden. Die im Katalog enthaltenen Beschreibungen und Daten sind daher unverbindlich und ohne Gewähr.
- In die elektrische Anlage des Gebäudes ist ein Ausschalter oder Trennschalter einzubauen. Dieser muss sich in unmittelbarer Nähe des Geräts befinden und vom Bediener leicht zugänglich sein. Er muss als Trennvorrichtung für das Gerät gekennzeichnet sein: IEC/EN 61010-1 § 6.11.3.1.
- Das Gerät mit einem weichen Tuch reinigen, keine Scheuermittel, Flüssigreinerer oder Lösungsmittel verwenden.



ADVERTENCIA

- Leer atentamente el manual antes de instalar y utilizar el regulador.
- Este dispositivo debe ser instalado por personal cualificado conforme a la normativa de instalación vigente a fin de evitar daños personales o materiales.
- Antes de realizar cualquier operación en el dispositivo, desconectar la corriente de las entradas de alimentación y medida, y cortocircuitar los transformadores de corriente.
- El fabricante no se responsabilizará de la seguridad eléctrica en caso de que el dispositivo no se utilice de forma adecuada.
- Los productos descritos en este documento se pueden actualizar o modificar en cualquier momento. Por consiguiente, las descripciones y los datos técnicos aquí contenidos no tienen valor contractual.
- La instalación eléctrica del edificio debe disponer de un interruptor o disyuntor. Este debe encontrarse cerca del dispositivo, en un lugar al que el usuario pueda acceder con facilidad. Además, debe llevar el mismo marcado que el interruptor del dispositivo (IEC/EN 61010-1 § 6.11.3.1).
- Limpiar el dispositivo con un trapo suave; no utilizar productos abrasivos, detergentes líquidos ni disolventes.



UPOZORNĚNÍ

- Návod se pozorně pročtěte, než začnete regulátor instalovat a používat.
- Tato zařízení smí instalovat kvalifikovaní pracovníci v souladu s platnými předpisy a normami pro předcházení úrazu osob či poškození věcí.
- Před jakýmkoli zásahem do přístroje odpojte měřicí a napájecí vstupy od napětí a zkratujte transformátory proudu.
- Výrobce nenese odpovědnost za elektrickou bezpečnost v případě nevhodného používání regulátoru.
- Výrobky popsané v tomto dokumentu mohou kdykoli projít úpravami či dalším vývojem. Popisy a údaje uvedené v katalogu nemají proto žádnou smluvní hodnotu.
- Spínač či odpojovač je nutno zabudovat do elektrického rozvodu v budově. Musí být nainstalován v těsné blízkosti přístroje a snadno dostupné pracovníku obsluhy. Je nutno ho označit jako vypínač zařízení přístroje: IEC/EN 61010-1 § 6.11.3.1.
- Přístroj čistěte měkkou utěrkou, nepoužívejte abrazivní produkty, tekutá čistidla či rozpouštědla.



AVERTIZARE!

- Citiți cu atenție manualul înainte de instalare sau utilizare.
- Acest echipament va fi instalat de personal calificat, în conformitate cu standardele actuale, pentru a evita deteriorări sau pericolose.
- Înainte de efectuarea oricărei operațiuni de întreținere asupra dispozitivului, îndeplățiți toate tensiunile de la intrările de măsurare și de alimentare și scurtcircuitați bornele de intrare CT.
- Producătorul nu poate fi considerat responsabil pentru siguranța electrică în caz de utilizare incorectă a echipamentului.
- Produsele ilustrate în prezentul sunt supuse modificărilor și schimbărilor fără notificare anterioară. Datele tehnice și descrierile din documentație sunt precise, în măsura cunoștințelor noastre, dar nu se acceptă nicio răspundere pentru erorile, omisiunile sau evenimentele neprevăzute care apar ca urmare a acestora.
- Trebuie inclus un disjuncteur în instalația electrică a clădirii. Acesta trebuie instalat aproape de echipament și într-o zonă ușor accesibilă operatorului. Acesta trebuie marcat ca fiind dispozitivul de deconectare al echipamentului: IEC/EN 61010-1 § 6.11.3.1.
- Curățați instrumentul cu un material textil moale și uscat; nu utilizați substanțe abrazive, detergenți lichizi sau solvenți.



ATTENZIONE!

- Leggere attentamente il manuale prima dell'utilizzo e l'installazione.
- Questi apparecchi devono essere installati da personale qualificato, nel rispetto delle vigenti normative impiantistiche, allo scopo di evitare danni a persone o cose.
- Prima di qualsiasi intervento sullo strumento, togliere tensione dagli ingressi di misura e di alimentazione e cortocircuitare i trasformatori di corrente.
- Il costruttore non si assume responsabilità in merito alla sicurezza elettrica in caso di utilizzo improprio del dispositivo.
- I prodotti descritti in questo documento sono suscettibili in qualsiasi momento di evoluzioni o di modifiche. Le descrizioni ed i dati a catalogo non possono pertanto avere alcun valore contrattuale.
- Un interruttore o disgiuntore va compreso nell'impianto elettrico dell'edificio. Esso deve trovarsi in stretta vicinanza dell'apparecchio ed essere facilmente raggiungibile da parte dell'operatore. Deve essere marcato come il dispositivo di interruzione dell'apparecchio: IEC/EN 61010-1 § 6.11.3.1.
- Pulire l'apparecchio con panno morbido, non usare prodotti abrasivi, detergenti liquidi o solventi.



UWAGA!

- Przed użyciem i instalacją urządzenia należy uważnie przeczytać niniejszą instrukcję.
- W celu uniknięcia obrażeń osób lub uszkodzenia mienia tego typu urządzenia muszą być instalowane przez wykwalifikowany personel, zgodnie z obowiązującymi przepisami.
- Przed rozpoczęciem jakichkolwiek prac na urządzeniu należy odłączyć napięcie od wejść pomiarowych i zasilania oraz zewrzeć zaciski przekładnika prądowego.
- Producent nie przyjmuje na siebie odpowiedzialności za bezpieczeństwo elektryczne w przypadku niewłaściwego użytkowania urządzenia.
- Produkty opisane w niniejszym dokumencie mogą być w każdej chwili udoskonalone lub zmodyfikowane. Opisy oraz dane katalogowe nie mogą mieć w związku z tym żadnej wartości umownej.
- W instalacji elektrycznej budynku należy uwzględnić przełącznik lub wyłącznik automatyczny. Powinien on znajdować się w bliskim sąsiedztwie urządzenia i być łatwo osiągalny przez operatora. Musi być oznaczony jako urządzenie służące do wyłączenia urządzenia: IEC/EN 61010-1 § 6.11.3.1.
- Urządzenie należy czyścić miękką szmatką, nie stosować środków ściernych, płynnych detergentów lub rozpuszczalników.



警告!

- 安装或使用前，请仔细阅读本手册。
- 本设备只能由合格人员根据现行标准进行安装，以避免造成损坏或安全风险。
- 对设备进行任何维护操作前，请移除测量输入端和电源输入端的所有电压，并短接 CT 输入端。
- 制造商不负责因设备使用不当导致的电气安全问题。
- 此处说明的产品可能会有变更，恕不提前通知。我们竭力确保本文件中技术数据和说明的准确性，但对于错误、遗漏或由此产生的意外事件概不负责。
- 建筑电气系统中必须装有断路器。断路器必须安装在靠近设备且方便操作人员触及的地方。必须将断路器标记为设备的断开装置：IEC/EN 61010-1 § 6.11.3.1
- 请使用柔软的干布清洁设备；切勿使用研磨剂、洗涤剂或溶剂。



ПРЕДУПРЕЖДЕНИЕ!

- Прежде чем приступать к монтажу или эксплуатации устройства, внимательно ознакомьтесь с содержанием настоящего руководства.
- Во избежание травм или материального ущерба монтаж должен осуществляться только квалифицированным персоналом в соответствии с действующими нормативами.
- Перед проведением любых работ по техническому обслуживанию устройства необходимо обесточить все измерительные и питающие входные контакты, а также замкнуть накоротко входные контакты трансформатора тока (ТТ).
- Производитель не несет ответственность за обеспечение электробезопасности в случае ненадлежащего использования устройства.
- Изделия, описанные в настоящем документе, в любой момент могут подвергнуться изменениям или усовершенствованиям. Поэтому каталожные данные и описания не могут рассматриваться как действительные с точки зрения контрактов
- Электрическая сеть здания должна быть оснащена автоматическим выключателем, который должен быть расположен вблизи оборудования в пределах доступа оператора. Автоматический выключатель должен быть промаркирован как отключающее устройство оборудования: IEC/EN 61010-1 § 6.11.3.1.
- Очистку устройства производить с помощью мягкой сухой ткани, без применения абразивных материалов, жидких мощных средств или растворителей.



DIKKATI!

- Montaj ve kullanımdan önce bu el kitabını dikkatlice okuyunuz.
- Bu aparatlar kişilere veya nesnelere zarar verme ihtimaline karşı yürürlükte olan sistem kurma normlarına göre kalifiye personel tarafından monte edilmelidir
- Aparatı (çihaz) herhangi bir müdahalede bulunmadan önce ölçüm girişlerindeki genilimi kesip akım transformatorlerinde kısa devre yaptırınız.
- Üretici aparatın hatalı kullanımından kaynaklanan elektriksel güvenliği ait sorumluluk kabul etmez.
- Bu dokümanda tarif edilen ürünler her an evrimlere veya değişimlere açıktır. Bu sebeple katalogdaki tarif ve değerler herhangi bir bağlayıcı değeri haiz değildir.
- Binanın elektrik sisteminde bir anahtar veya şalter bulunmalıdır. Bu anahtar veya şalter operatörün kolaylıkla ulaşabileceği yakın bir yerde olmalıdır. Aparatı (çihaz) devreden çıkartma görevi yapan bu anahtar veya şalterin markası: IEC/EN 61010-1 § 6.11.3.1.
- Aparatı (çihaz) sıvı deterjan veya solvent kullanılarak yumuşak bir bez ile siliniz aşındırıcı temizlik ürünleri kullanmayınız.



The complete operating manual is downloadable from website www.lovatoelectric.com

INTRODUCTION

The DMG5... multimeters have been designed to combine the maximum possible easiness of operation together with a wide choice of advanced functions. The flush-mount 96x96mm housing joins the modern design of the front panel with the tool-less mounting of the device body. The backlit LCD display offers a user-friendly interface. DMG510 is also provided with a isolated RS485 interface with Modbus protocol to consent remote supervision.

FRONT KEYBOARD

- MENU key** – Used to enter or exit from visualization and setting menus.
- ▲ and ▼ keys** – Used to scroll display pages, to select among possible choices and to modify settings (increment-decrement).
- ↻ key** – Used to rotate through sub-pages, to confirm a choice, to switch between visualization modes.

HARMONIC ANALYSIS INDICATION

- The DMG510 features harmonic analysis up to the 15th order for the following measurements:
 - phase-to-phase voltages.
 - phase-to-neutral voltages.
 - currents.
- To activate harmonic analysis, set P02.12 = THD+HAR.
- With P02.12 = THD, only the THD of the above measurements is displayed.

MAIN MENU

To access the main menu:

- Press the **MENU** button. The main menu is displayed (see figure) with the following possible choices:
 - SET - Access to the Setup menu settings.
 - CMD - Access to the command menu.
 - PAS - Entering the Password.
- The selected choice flashes. In the alphanumeric display scrolls a written description.
- If you must enter the password, the menu opens with the voice PAS already selected.
- Press **▲ ▼** to select the desired item and then press **↻** to confirm your choice.
- If you want to return to the measurement display, press **MENU** again.



PARAMETER SETTING (SETUP) FROM FRONT PANEL

- From the normal measurement display, press **MENU** to call up the main menu, then select SET and press **↻** to access the settings menu.
- The display shows the first menu level P.01 in the display in the lower left, with selection 01 flashing.
- Select the desired menu (P.01, P.02, P.03 ...) using the **▲ ▼** buttons. As you select, the alphanumeric display provides a brief scrolling description of the currently selected menu.
- If you want to exit and return to the measurement display, press **MENU**.



Setup: menu selection

– The following table lists the available menus:

Code	MENU	DESCRIPTION
P01	GENERAL	Detailed data of the installation
P02	UTILITY	Language, backlight, display
P03	PASSWORD	Access codes enabling
P04	INTEGRATION	Readings integration time
P05	HOUR COUNTER	Hour counter enabling
P07 (DMG510 only)	COMMUNICATION (COMn)	Communication ports
P08	LIMIT THRESHOLDS (LIMn)	Limit thresholds on readings
P09	ALARMS (ALAn)	Alarm messages

- Press **↻** to enter the selected menu.
- At this point you can select the submenu (if any) and then the sequential number of the parameter, always with the function keys as follows:



NOTE: For the other menus, refer to the complete instructions manual available on the website.

WIRING TEST

- The wiring test allows to verify if the connection of the DMG5... device has been executed properly.
- To be able to execute the test, the device must be connected to an active plant, with the following conditions:
 - three-phase system with all phases presence ($V > 50\text{VAC PH-N}$)
 - current flowing in each phase $> 1\%$ of the CT primary.
 - positive flow of energies (that is a normal plant where the inductive load draws power from the supplier).
- To launch test execution, enter command menu and select command C.16 as per Commands menu instructions.
- The test allows to verify the following points:
 - reading of the three voltage phases.
 - phase sequence.
 - voltage unbalance.
 - reverse polarity of each CT.
 - mismatch between voltage and current phases.
- If the test does not succeed, the display shows the reason of the failure.

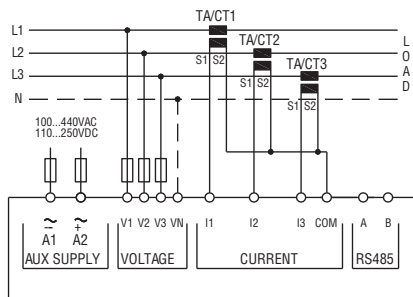
INSTALLATION

- DMG5... is designed for flush-mount installation. With proper mounting, it guarantees IP40 front protection.
- From inside the panel, for each four of the fixing clips, position the clip in one of the two sliding guide, then press on the clip corner until the second guide snaps in.
- Push the clip forward pressing on its side and making it slide on the guides until it presses completely on the internal surface of the panel.

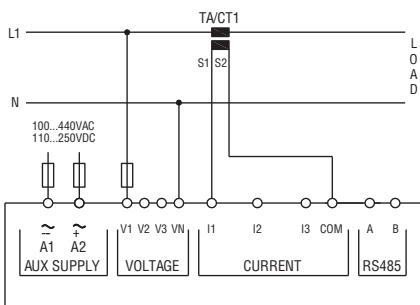


- For the electrical connection see the wiring diagrams in the dedicated chapter and the requirements reported in the technical characteristics table.

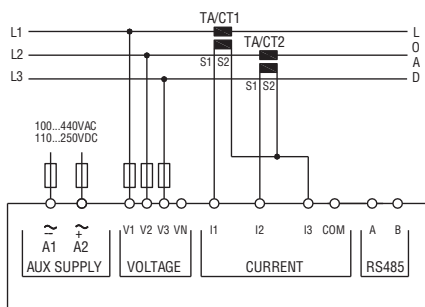
3-phase connection whit or without neutral
P01.07 = L1-L2-L3-N L1-L2-L3



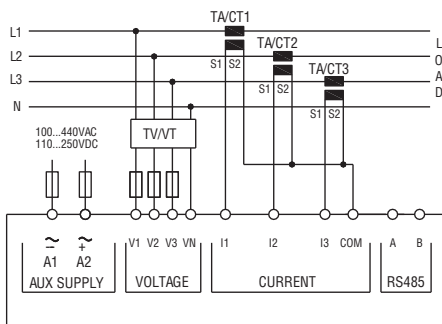
Single-phase connection
P01.07 = L1-N



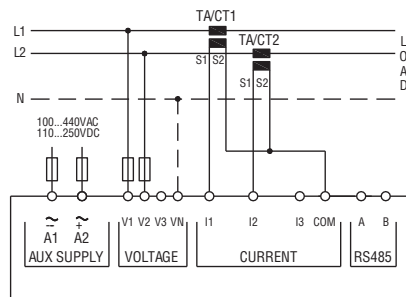
ARON connection 3-phase without neutral
P01.07 = L1-L2-L3



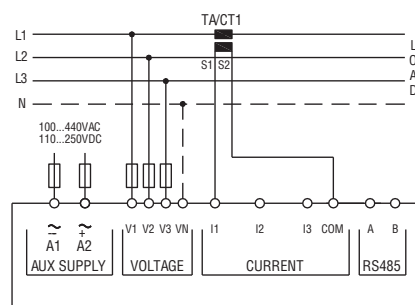
3 phase connection with neutral via VT
Set P01.04, P01.05 and P01.06
P01.07 = L1-L2-L3-N



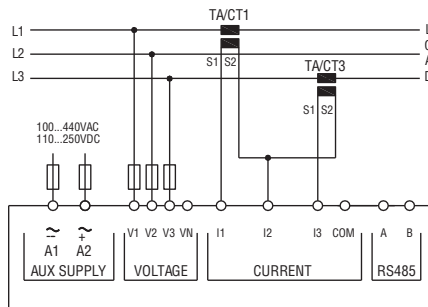
2-phase connection
P01.07 = L1-N-L2



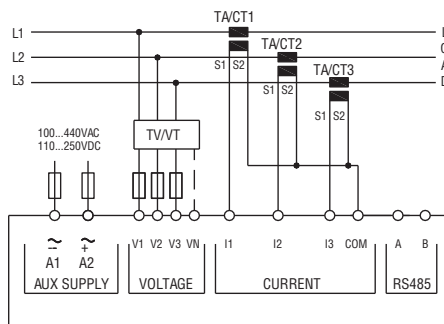
Balanced 3-phase connection whit or without neutral
P01.07 = L1-L2-L3-N-BIL L1-L2-L3-BIL



ARON connection 3-phase without neutral
P01.07 = L1-L2-L3



3 phase connection without neutral via VT
Set P01.04, P01.05 and P01.06
P01.07 = L1-L2-L3

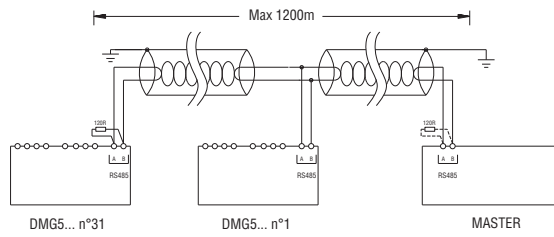


NOTES

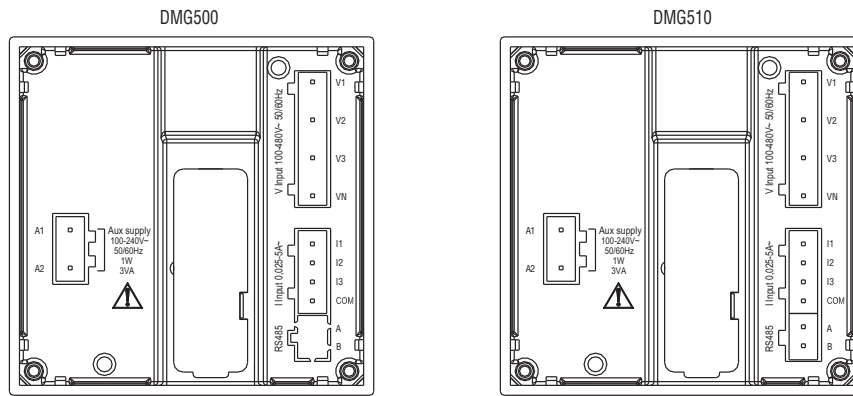
1. Recommended fuses:

aux supply and measure inputs voltage: F1A (fast).

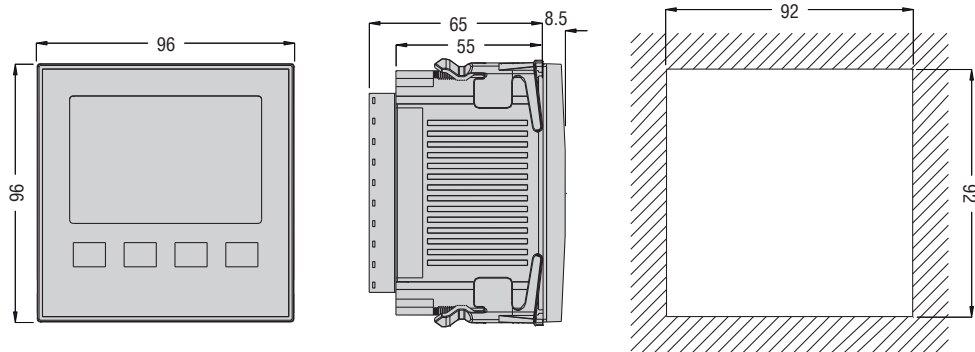
RS485 INTERFACE



TERMINALS POSITION



MECHANICAL DIMENSIONS AND FRONT PANEL CUTOUT (mm)





TECHNICAL CHARACTERISTICS

Supply	
Rated voltage Us	100 - 240V~ 110 - 250V=
Operating voltage range	90 - 264V~ 93.5 - 300V=
Frequency	45 - 66Hz
Power consumption/dissipation	1W - 3VA
Immunity time for microbreakings	<= 25ms
Recommended fuses	F1A (fast)
Voltage input	
Maximum rated voltage Ue	480VAC L-L (277VAC L-N)
Measuring range	90...576V L-L (50...415VAC L-N)
Frequency range	45...66Hz
Measuring method	True RMS
Measuring input impedance	L-N - L-L > 8MΩ
Wiring mode	Single-phase, two-phase, three-phase with or without neutral or balanced three-phase system.
Recommended fuses	F1A (fast)
Current inputs	
Rated current Ie	1A~ or 5A~
Measuring range	For 5A scale: 0.025 - 6A~ For 1A scale: 0.025 - 1.2A~
Type of input	Shunt supplied by an external current transformer (low voltage). Max. 5A
Measuring method	True RMS
Overload capacity	+20% Ie
Overload peak	50A for 1 second
Burden (per phase)	≤0.6W
Measurement accuracy	
Measuring conditions	
Temperature	+23 °C ±2 °C
Voltage (phase to neutral)	± 0.5% (50...415V~) ±0.5 digit
Voltage (phase to phase)	± 0.5% (90...720V~) ±0.5 digit
Current	± 0.5% (0.1...1.2In) ±0.5 digit
Active Energy	Class 1 (IEC/EN 62053-21)
Reactive energy	Class 2 (IEC/EN 62053-23)

Additional errors	
Temperature	0.05%/°K per V, A, W
Insulation	
Rated insulation voltage Ui	600V~
Rated impulse withstand voltage Uimp	9.5kV
Power frequency withstand voltage	5.2kV
Ambient conditions	
Operating temperature	-20 - +60°C
Storage temperature	-30 - +80°C
Relative humidity	<80% (IEC/EN 60068-2-78)
Maximum pollution degree	2
Overvoltage category	3
Measurement category	III
Climatic sequence	Z/ABDM (IEC/EN 60068-2-61)
Shock resistance	15g (IEC/EN 60068-2-27)
Vibration resistance	0.7g (IEC/EN 60068-2-6)
Connections	
Type of terminal	Plug-in / removable
Conductor cross section (min... max)	0.2...2.5 mm ² (24...12 AWG)
UL Rating	0.75...2.5 mm ² (18...12 AWG)
Conductor cross section (min... max)	
Tightening torque	0.56 Nm (5 LBin)
Housing	
Version	Flush mount
Material	Polycarbonate
Degree of protection	IP40 on front - IP20 terminals
Weight	330g
Certifications and compliance	
Certifications obtained	EAC
Comply with standards	IEC/EN 61010-1, IEC/EN 61010-2-030, IEC/EN 61000-6-2, IEC/EN 61000-6-3

LOVATO ELECTRIC S.P.A.

24020 GORLE (BERGAMO) ITALIA
VIA DON E. MAZZA, 12
TEL. 035 4282111
E-mail info@LovatoElectric.com
Web www.LovatoElectric.com



I MULTIMETRO DIGITALE

Manuale di installazione

DMG500 - DMG510



WARNING!

- Carefully read the manual before the installation or use.
- This equipment is to be installed by qualified personnel, complying to current standards, to avoid damages or safety hazards.
- Before any maintenance operation on the device, remove all the voltages from measuring and supply inputs and short-circuit the CT input terminals.
- The manufacturer cannot be held responsible for electrical safety in case of improper use of the equipment.
- Products illustrated herein are subject to alteration and changes without prior notice. Technical data and descriptions in the documentation are accurate, to the best of our knowledge, but no liabilities for errors, omissions or contingencies arising there from are accepted.
- A circuit breaker must be included in the electrical installation of the building. It must be installed close by the equipment and within easy reach of the operator. It must be marked as the disconnecting device of the equipment: IEC / EN 61010-1 § 6.11.3.1.
- Clean the device with a soft dry cloth; do not use abrasives, liquid detergents or solvents.



ATTENTION !

- Lire attentivement le manuel avant toute utilisation et installation.
- Ces appareils doivent être installés par un personnel qualifié, conformément aux normes en vigueur en matière d'installations, afin d'éviter de causer des dommages à des personnes ou choses.
- Avant toute intervention sur l'instrument, mettre les entrées de mesure et d'alimentation hors tension et court-circuiter les transformateurs de courant.
- Le constructeur n'assume aucune responsabilité quant à la sécurité électrique en cas d'utilisation impropre du dispositif.
- Les produits décrits dans ce document sont susceptibles d'évoluer ou de subir des modifications à n'importe quel moment. Les descriptions et caractéristiques techniques du catalogue ne peuvent donc avoir aucune valeur contractuelle.
- Un interrupteur ou disjoncteur doit être inclus dans l'installation électrique du bâtiment. Celui-ci doit se trouver tout près de l'appareil et l'opérateur doit pouvoir y accéder facilement. Il doit être marqué comme le dispositif d'interruption de l'appareil : IEC / EN 61010-1 § 6.11.3.1.
- Nettoyer l'appareil avec un chiffon doux, ne pas utiliser de produits abrasifs, détergents liquides ou solvants.



ACHTUNG!

- Dieses Handbuch vor Gebrauch und Installation aufmerksam lesen.
- Zur Vermeidung von Personen- und Sachschäden dürfen diese Geräte nur von qualifiziertem Fachpersonal und unter Befolgung der einschlägigen Vorschriften installiert werden.
- Vor jedem Eingriff am Instrument die Spannungszufuhr zu den Messeingängen trennen und die Stromwandler kurzschließen.
- Bei zweckwidrigem Gebrauch der Vorrichtung übernimmt der Hersteller keine Haftung für die elektrische Sicherheit.
- Die in dieser Broschüre beschriebenen Produkte können jederzeit weiterentwickelt und geändert werden. Die im Katalog enthaltenen Beschreibungen und Daten sind daher unverbindlich und ohne Gewähr.
- In die elektrische Anlage des Gebäudes ist ein Ausschalter oder Trennschalter einzubauen. Dieser muss sich in unmittelbarer Nähe des Geräts befinden und vom Bediener leicht zugänglich sein. Er muss als Trennvorrichtung für das Gerät gekennzeichnet sein: IEC / EN 61010-1 § 6.11.3.1.
- Das Gerät mit einem weichen Tuch reinigen, keine Scheuermittel, Flüssigreinerer oder Lösungsmittel verwenden.



ADVERTENCIA

- Leer atentamente el manual antes de instalar y utilizar el regulador.
- Este dispositivo debe ser instalado por personal cualificado conforme a la normativa de instalación vigente a fin de evitar daños personales o materiales.
- Antes de realizar cualquier operación en el dispositivo, desconectar la corriente de las entradas de alimentación y medida, y cortocircuitar los transformadores de corriente.
- El fabricante no se responsabilizará de la seguridad eléctrica en caso de que el dispositivo no se utilice de forma adecuada.
- Los productos descritos en este documento se pueden actualizar o modificar en cualquier momento. Por consiguiente, las descripciones y los datos técnicos aquí contenidos no tienen valor contractual.
- La instalación eléctrica del edificio debe disponer de un interruptor o disyuntor. Este debe encontrarse cerca del dispositivo, en un lugar al que el usuario pueda acceder con facilidad. Además, debe llevar el mismo marcado que el interruptor del dispositivo (IEC / EN 61010-1 § 6.11.3.1).
- Limpiar el dispositivo con un trapo suave; no utilizar productos abrasivos, detergentes líquidos ni disolventes.



UPOZORNĚNÍ

- Návod se pozorně pročtěte, než začnete regulátor instalovat a používat.
- Tato zařízení smí instalovat kvalifikovaní pracovníci v souladu s platnými předpisy a normami pro předcházení úrazu osob či poškození věcí.
- Před jakýmkoli zásahem do přístroje odpojte měřicí a napájecí vstupy od napětí a zkratujte transformátory proudu.
- Výrobce nenese odpovědnost za elektrickou bezpečnost v případě nevhodného používání regulátoru.
- Výrobky popsané v tomto dokumentu mohou kdykoli projít úpravami či dalším vývojem. Popisy a údaje uvedené v katalogu nemají proto žádnou smluvní hodnotu.
- Spínač či odpojovač je nutno zabudovat do elektrického rozvodu v budově. Musí být nainstalován v těsné blízkosti přístroje a snadno dostupné pracovníku obsluhy. Je nutno ho označit jako vypínač zařízení přístroje: IEC / EN 61010-1 § 6.11.3.1.
- Přístroj čistěte měkkou utěrkou, nepoužívejte abrazivní produkty, tekutá čisticíla či rozpouštědla.



AVVERTIZARE!

- Cititi cu atenție manualul înainte de instalare sau utilizare.
- Acest echipament va fi instalat de personal calificat, în conformitate cu standardele actuale, pentru a evita deteriorări sau pericolose.
- Înainte de efectuarea oricărei operațiuni de întreținere asupra dispozitivului, îndepărtați toate tensiunile de la intrările de măsurare și de alimentare și scurtcircuitați bornele de intrare CT.
- Producătorul nu poate fi considerat responsabil pentru siguranța electrică în caz de utilizare incorectă a echipamentului.
- Produsele ilustrate în prezentul sunt supuse modificărilor și schimbărilor fără notificare anterioară. Datele tehnice și descrierile din documentație sunt precise, în măsura cunoștințelor noastre, dar nu se acceptă nicio răspundere pentru erorile, omisiunile sau evenimentele neprevăzute care apar ca urmare a acestora.
- Trebuie inclus un disjuncteur în instalația electrică a clădirii. Acesta trebuie instalat aproape de echipament și într-o zonă ușor accesibilă operatorului. Acesta trebuie marcat ca fiind dispozitivul de deconectare al echipamentului: IEC/EN 61010-1 § 6.11.3.1.
- Curățați instrumentul cu un material textil moale și uscat; nu utilizați substanțe abrazive, detergenți lichizi sau solvenți.



ATTENZIONE!

- Leggere attentamente il manuale prima dell'utilizzo e l'installazione.
- Questi apparecchi devono essere installati da personale qualificato, nel rispetto delle vigenti normative impiantistiche, allo scopo di evitare danni a persone o cose.
- Prima di qualsiasi intervento sullo strumento, togliere tensione dagli ingressi di misura e di alimentazione e cortocircuare i trasformatori di corrente.
- Il costruttore non si assume responsabilità in merito alla sicurezza elettrica in caso di utilizzo improprio del dispositivo.
- I prodotti descritti in questo documento sono suscettibili in qualsiasi momento di evoluzioni o di modifiche. Le descrizioni ed i dati a catalogo non possono pertanto avere alcun valore contrattuale.
- Un interruttore o disgiuntore va compreso nell'impianto elettrico dell'edificio. Esso deve trovarsi in stretta vicinanza dell'apparecchio ed essere facilmente raggiungibile da parte dell'operatore. Deve essere marchiato come il dispositivo di interruzione dell'apparecchio: IEC / EN 61010-1 § 6.11.3.1.
- Pulire l'apparecchio con panno morbido, non usare prodotti abrasivi, detergenti liquidi o solventi.



UWAGA!

- Przed użyciem i instalacją urządzenia należy uważnie przeczytać niniejszą instrukcję.
- W celu uniknięcia obrażeń osób lub uszkodzenia mienia tego typu urządzenia muszą być instalowane przez wykwalifikowany personel, zgodnie z obowiązującymi przepisami.
- Przed rozpoczęciem jakichkolwiek prac na urządzeniu należy odłączyć napięcie od wejść pomiarowych i zasilania oraz zewrzeć zaciski przekładnika prądowego.
- Producent nie przyjmuje na siebie odpowiedzialności za bezpieczeństwo elektryczne w przypadku niewłaściwego użytkowania urządzenia.
- Produkty opisane w niniejszym dokumencie mogą być w każdej chwili udoskonalone lub zmodyfikowane. Opisy oraz dane katalogowe nie mogą mieć w związku z tym żadnej wartości umownej.
- W instalacji elektrycznej budynku należy uwzględnić przełącznik lub wyłącznik automatyczny. Powinien on znajdować się w bliskim sąsiedztwie urządzenia i być łatwo osiągalny przez operatora. Musi być oznaczony jako urządzenie służące do wyłączania urządzenia: IEC / EN 61010-1 § 6.11.3.1.
- Urządzenie należy czyścić miękką szmatką, nie stosować środków ściernych, płynnych detergentów lub rozpuszczalników.



警告!

- 安装或使用前，请仔细阅读本手册。
- 本设备只能由合格人员根据现行标准进行安装，以避免造成损坏或安全风险。
- 对设备进行任何维护操作前，请移除测量输入端和电源输入端的所有电压，并短接 CT 输入端。
- 制造商不负责因设备使用不当导致的电气安全问题。
- 此处说明的产品可能会有变更，恕不提前通知。我们竭力确保本文件中技术数据和说明的准确性，但对于错误、遗漏或由此产生的意外事件概不负责。
- 建筑电气系统中必须装有断路器。断路器必须安装在靠近设备且方便操作人员触及的地方。必须将断路器标记为设备的断开装置：IEC/EN 61010-1 § 6.11.3.1
- 请使用柔软的干布清洁设备；切勿使用研磨剂、洗涤剂或溶剂。



ПРЕДУПРЕЖДЕНИЕ!

- Прежде чем приступать к монтажу или эксплуатации устройства, внимательно ознакомьтесь с содержанием настоящего руководства.
- Во избежание травм или материального ущерба монтаж должен осуществляться только квалифицированным персоналом в соответствии с действующими нормативами.
- Перед проведением любых работ по техническому обслуживанию устройства необходимо обесточить все измерительные и питающие входные контакты, а также замкнуть накоротко входные контакты трансформатора тока (ТТ).
- Производитель не несет ответственность за обеспечение электробезопасности в случае ненадлежащего использования устройства.
- Изделия, описанные в настоящем документе, в любой момент могут подвергнуться изменениям или усовершенствованиям. Поэтому каталожные данные и описания не могут рассматриваться как действительные с точки зрения контрактов.
- Электрическая сеть здания должна быть оснащена автоматическим выключателем, который должен быть расположен вблизи оборудования в пределах доступа оператора. Автоматический выключатель должен быть промаркирован как отключающее устройство оборудования: IEC / EN 61010-1 § 6.11.3.1.
- Очистку устройства производить с помощью мягкой сухой ткани, без применения абразивных материалов, жидких моющих средств или растворителей.



DIKKATI!

- Montaj ve kullanımdan önce bu el kitabını dikkatlice okuyunuz.
- Bu aparatlar kişilere veya nesnelere zarar verme ihtimaline karşı yürürlükte olan sistem kurma normlarına göre kalifiye personel tarafından monte edilmelidir.
- Aparata (cihaz) herhangi bir müdahalede bulunmadan önce ölçüm girişlerindeki genilimi kesip akım transformatorlerinde kısa devre yaptırınız.
- Üretici aparatın hatalı kullanımından kaynaklanan elektriksel güvenliği ait sorumluluk kabul etmez.
- Bu dokümanda tarif edilen ürünler her an evrimlere veya değişimlere açıktır. Bu sebeple katalogdaki tarif ve değerler herhangi bir bağlayıcı değeri haiz değildir.
- Binanın elektrik sisteminde bir anahtar veya şalter bulunmalıdır. Bu anahtar veya şalter operatörün kolaylıkla ulaşabileceği yakın bir yerde olmalıdır. Aparat (cihaz) devreden çıkartma görevi yapan bu anahtar veya şalterin markası: IEC / EN 61010-1 § 6.11.3.1.
- Aparatı (cihaz) sıvı deterjan veya solvent kullanılarak yumuşak bir bez ile siliniz aşındırıcı temizlik ürünleri kullanmayınız.



Il manuale operativo completo è scaricabile dal sito www.lovatoelectric.com

INTRODUZIONE

I multimetri DMG5... sono stati progettati per unire la massima semplicità di utilizzo con una ampia scelta di funzioni avanzate. In esecuzione per montaggio a pannello con dimensioni standard 96x96mm, uniscono il moderno design del frontale alla praticità di montaggio.

Il display retroilluminato LCD consente una interfaccia utente chiara ed intuitiva. DMG510 è inoltre dotato di una interfaccia di comunicazione RS485 isolata con protocollo Modbus per consentirne la supervisione.

FUNZIONE DEI TASTI FRONTALI

Tasto MENU – Serve per entrare o uscire dai vari menu sia di visualizzazione che di impostazione.

Tasti ▲ e ▼ – Servono per lo scorrimento fra le pagine video, per la selezione fra le possibili scelte presentate a display e per la modifica di impostazioni (incremento/decremento).

Tasto ↻ – Serve per lo scorrimento delle sotto-pagine, per confermare una scelta effettuata e per passare da una modalità all' altra di visualizzazione.

INDICAZIONE ANALISI ARMONICA

– Nel DMG510 è disponibile l'analisi armonica fino al 15.mo ordine delle seguenti misure:

- tensioni concatenate.
- tensioni di fase.
- correnti.

– Per attivare l'analisi armonica, impostare P02.12 = THD+HAR.

– Con P02.12 = THD viene visualizzato solo il THD delle misure.

MENU PRINCIPALE

Per accedere al menu principale:

– Premere il tasto **MENU**. Viene visualizzato il menu principale (vedi figura) con le possibili scelte:

- SET – Accesso al menu impostazioni Setup.
- CMD – Accesso al menu comandi.
- PAS – Inserimento della password.

– La scelta selezionata lampeggia. Nel display alfanumerico scorre una scritta descrittiva della scelta effettuata.

– Se è necessario impostare la password, il menu si apre con la voce PAS già selezionata.

– Premere ▲ ▼ per selezionare la voce volute e poi premere ↻ per confermare la scelta.

– Se si vuole tornare alla visualizzazione misure premere di nuovo **MENU**.



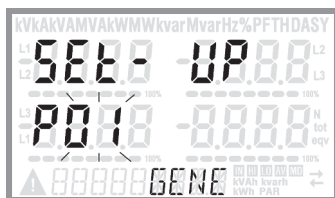
IMPOSTAZIONE DEI PARAMETRI (SETUP) DAL PANNELLO FRONTALE

– Dalla normale visualizzazione misure, premere **MENU** per richiamare il menu principale, quindi selezionare SET e premere ↻ per accedere al menu impostazioni.

– Il display indica il primo livello di menu P.01 nel display in basso a sinistra, con la selezione 01 lampeggiante.

– Selezionare il menu desiderato (P.01, P.02, P.03...) tramite i tasti ▲ ▼. Mentre si seleziona, il display alfanumerico riporta una breve descrizione scorrevole del menu attualmente selezionato.

– Se si vuole uscire e tornare alla visualizzazione misure, premere **MENU**.



Impostazione: selezione menu

– Nella seguente tabella sono elencati i menu disponibili :

Cod	MENU	DESCRIZIONE
P01	GENERALE	Dati caratteristici dell'impianto
P02	UTILITA'	Lingua, luminosità, display ecc.
P03	PASSWORD	Abilitazione protezione accesso
P04	INTEGRAZIONE	Tempi di integrazione misure
P05	CONTAORE	Abilitazione contaore
P07 (solo per DMG510)	COMUNICAZIONE (COMn)	Porte di comunicazione
P08	SOGLIE LIMITE (LIMn)	Soglie sulle misure
P09	ALLARMI (ALAn)	Messaggi di allarme

– Premere ↻ per accedere al menu selezionato.

– A questo punto è possibile selezionare il sottomenu (se presente) e poi il numero sequenziale del parametro, sempre con la funzione dei tasti come segue:



NOTE: Per i successivi menù vedi manuale completo scaricabile dal sito.

TEST DI COLLEGAMENTO

- Il test di collegamento consente di verificare se l'installazione del multimetro è stata effettuata correttamente.
- Per poter eseguire il test, il multimetro deve essere inserito in un impianto attivo con le seguenti condizioni:
 - sistema trifase con presenza di tutte le fasi ($V > 50\text{VAC L-N}$)
 - corrente minima circolante su ciascuna fase $> 1\%$ del fondo scala del TA impostato
 - verso positivo delle energie (cioè in un comune impianto dove il carico induttivo assorbe energia dalla fornitura)
- Per lanciare l'esecuzione del test, entrare nel menu comandi e selezionare il comando C.16 secondo le istruzioni del capitolo Menu comandi.
- Il test consente di verificare i seguenti punti:
 - lettura delle tre tensioni.
 - sequenza delle fasi.
 - sbilanciamento delle tensioni.
 - inversione della polarità di uno o più TA.
 - scambio delle fasi fra tensioni/correnti.
- Se il test non viene superato, il display visualizza la ragione dell'errore.

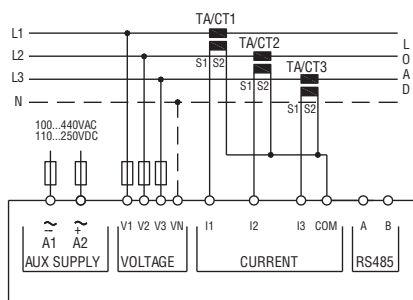
INSTALLAZIONE

- DMG5... è destinato al montaggio da incasso. Con il corretto montaggio garantisce una protezione frontale IP40.
- Dall'interno del quadro, per ciascuna delle quattro clips di fissaggio, posizionare la clip in una delle due guide laterali, premendo successivamente sullo spigolo della clip in modo da agganciare a scatto anche la seconda guida.
- Spingere la clip in avanti facendo pressione sulle sue pareti laterali e facendole scorrere sulle guide fino che le apposite alette deformabili premono al massimo possibile contro la superficie interna del pannello.

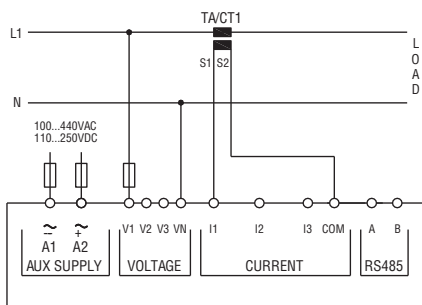


- Per i collegamenti elettrici fare riferimento agli schemi di connessione riportati nell'apposito capitolo e alle prescrizioni riportate nella tabella delle caratteristiche tecniche.

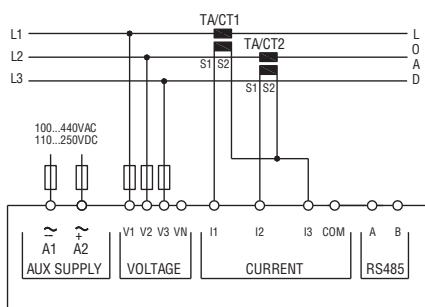
Connessione trifase con o senza neutro
P01.07 = L1-L2-L3-N L1-L2-L3



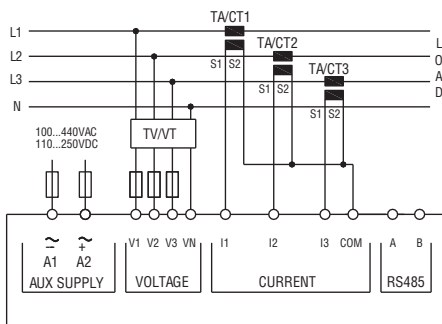
Connessione monofase
P01.07 = L1-N



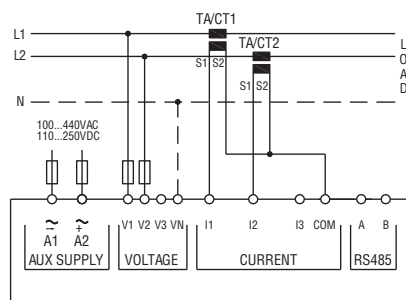
Connessione ARON 3 fasi senza neutro
P01.07 = L1-L2-L3



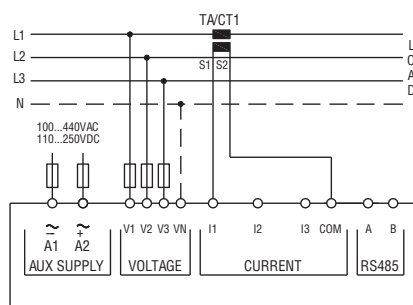
Connessione trifase con neutro mediante TV
Impostare P01.04, P01.05 e P01.06
P01.07 = L1-L2-L3-N



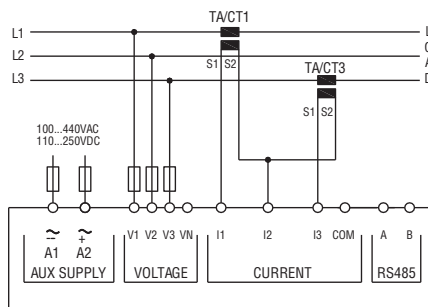
Connessione bifase
P01.07 = L1-N-L2



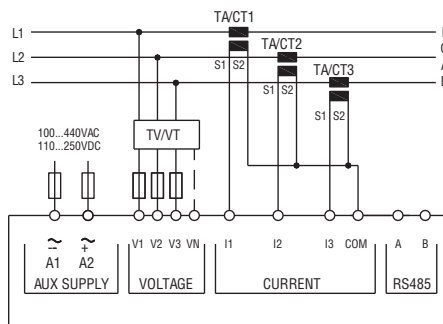
Connessione trifase bilanciata con o senza neutro
P01.07 = L1-L2-L3-N-BIL L1-L2-L3-BIL



Connessione ARON 3 fasi senza neutro
P01.07 = L1-L2-L3

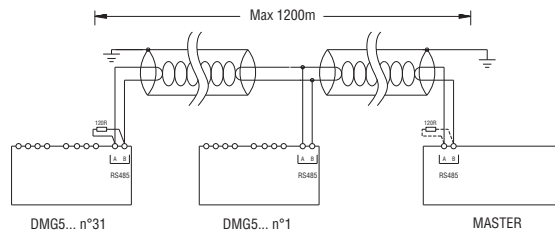


Connessione trifase senza neutro mediante TV
Impostare P01.04, P01.05 e P01.06
P01.07 = L1-L2-L3

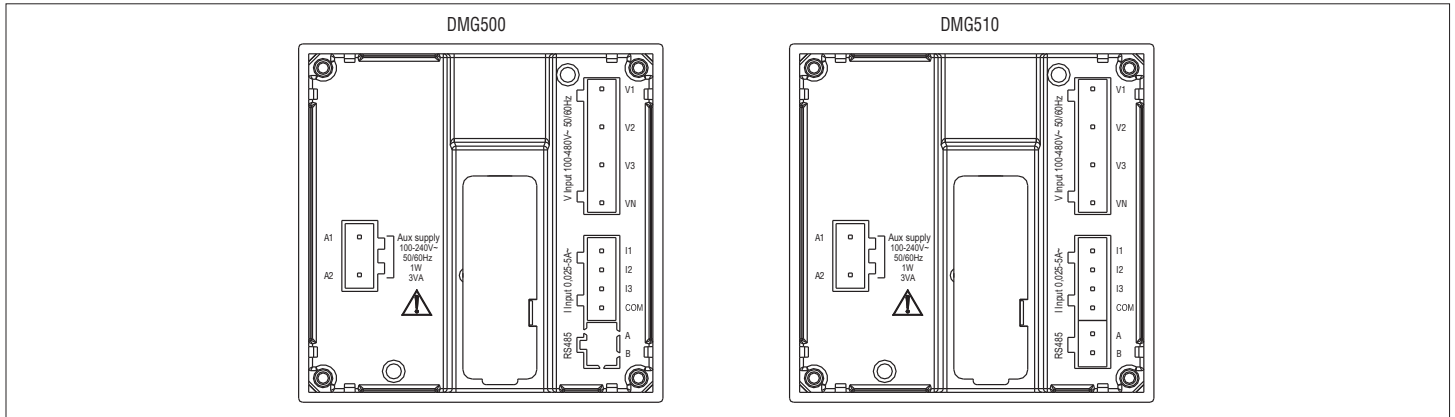


NOTE

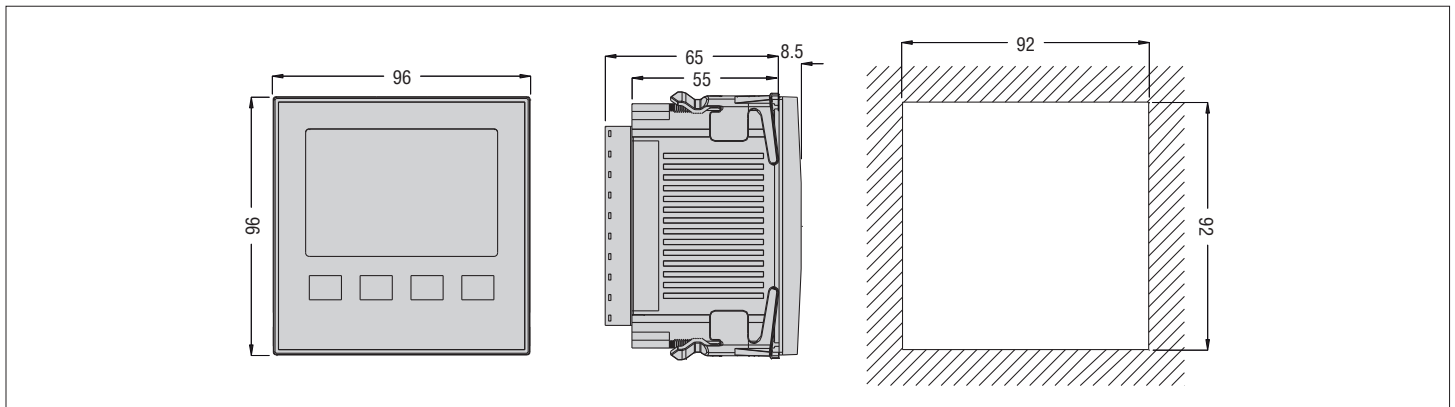
- Fusibili raccomandati:
alimentazione ausiliaria e ingresso misura tensione: F1A (rapido).



DISPOSIZIONE MORSETTI



DIMENSIONI MECCANICHE E FORATURA PANNELLO (mm)





CARATTERISTICHE TECNICHE

Alimentazione	
Tensione nominale Us	100 - 240V~ 110 - 250V=
Limiti di funzionamento	90 - 264V~ 93,5 - 300V=
Frequenza	45 - 66Hz
Potenza assorbita/dissipata	1W - 3VA
Tempo di immunità alla microinterruzione	<= 25ms
Fusibili raccomandati	F1A (rapidi)
Ingresso voltmetrico	
Tensione nominale Ue max	480VAC L-L (277VAC L-N)
Campo di misura	90...576V L-L (50...415VAC L-N)
Campo di frequenza	45...66Hz
Tipo di misura	Vero valore efficace (TRMS)
Impedenza dell'ingresso di misura	L-N - L-L > 8MΩ
Modalità di collegamento	Linea monofase, bifase, trifase con o senza neutro e trifase bilanciato
Fusibili raccomandati	F1A (rapidi)
Ingressi amperometrici	
Corrente nominale Ie	1A~ o 5A~
Campo di misura	Per scala 5A: 0,025 - 6A~ Per scala 1A: 0,025 - 1,2A~
Tipo di ingresso	Shunt alimentati mediante trasformatore di corrente esterno (bassa tensione) 5A max.
Tipo di misura	Vero valore efficace (RMS)
Limite termico permanente	+20% Ie
Limite termico di breve durata	50A per 1 secondo
Autoconsumo (per fase)	≤0,6VA
Precisione misure	
Condizioni di misura	
Temperatura	+23°C ±2°C
Tensione (fase - neutro)	± 0,5% (50...415V~) ±0,5 digit
Tensione (fase - fase)	± 0,5% (90...720V~) ±0,5 digit
Corrente	± 0,5% (0,1...1,2In) ±0,5 digit
Energia attiva	Classe 1 (IEC/EN 62053-21)
Energia reattiva	Classe 2 (IEC/EN 62053-23)

Errori addizionali	
Temperatura	0,05%/°K per V, A, W
Isolamento	
Tensione nominale d'isolamento Ui	600V~
Tensione nomi. di tenuta a impulso Uimp	9,5kV
Tensione di tenuta a frequenza d'esercizio	5,2kV
Condizioni ambientali	
Temperatura d'impiego	-20 - +60°C
Temperatura di stoccaggio	-30 - +80°C
Umidità relativa	<80% (IEC/EN 60068-2-78)
Grado di inquinamento ambiente massimo	2
Categoria di sovratensione	3
Categoria di misura	III
Sequenza climatica	Z/ABDM (IEC/EN 60068-2-61)
Resistenza agli urti	15g (IEC/EN 60068-2-27)
Resistenza alle vibrazioni	0,7g (IEC/EN 60068-2-6)
Conessioni	
Tipo di morsetti	Estraibili
Sezione conduttori (min e max)	0,2...2,5 mm ² (24...12 AWG)
Dati d'impiego UL	0,75...2,5 mm ² (18...12 AWG)
Sezione conduttori (min e max)	
Coppia di serraggio	0,56 Nm (5 LBin)
Contenitore	
Esecuzione	Da incasso
Materiale	Policarbonato
Grado di protezione frontale	IP40 sul fronte - IP20 sui morsetti
Peso	330g
Omologazioni e conformità	
Omologazioni ottenute	EAC
Conformi alle norme	IEC/EN 61010-1, IEC/EN 61010-2-030, IEC/EN 61000-6-2, IEC/EN 61000-6-3