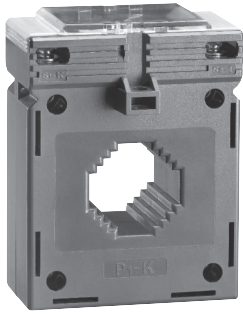


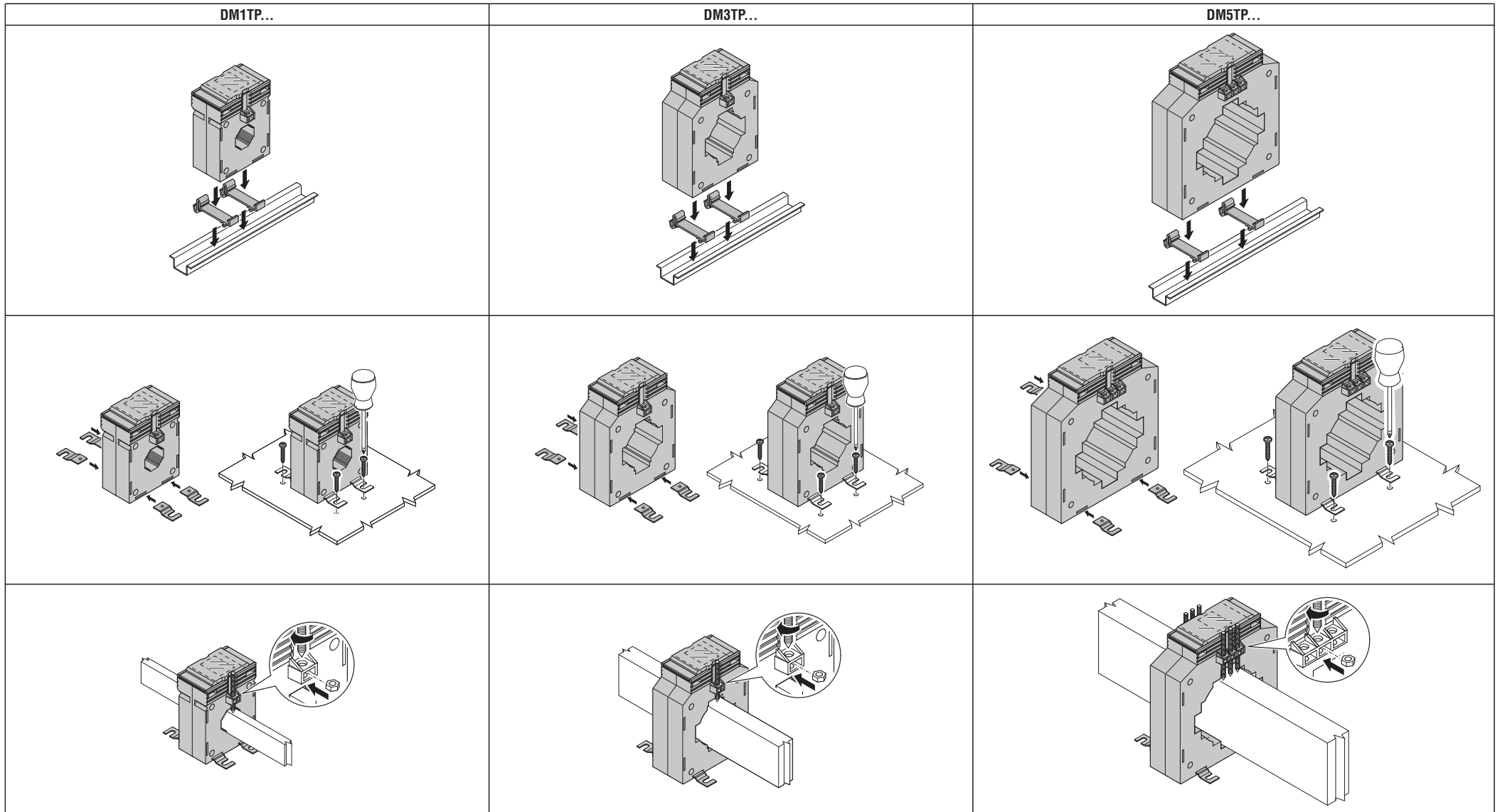
Lovato
electric

LOVATO ELECTRIC S.P.A.

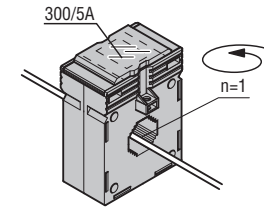
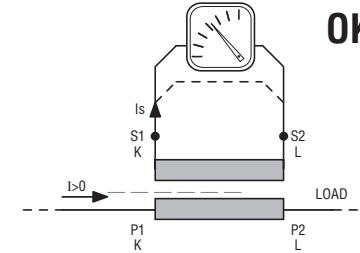
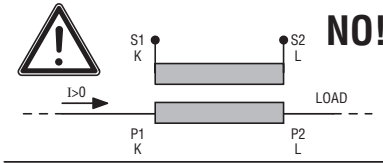
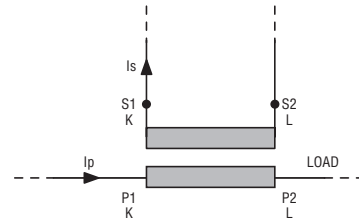
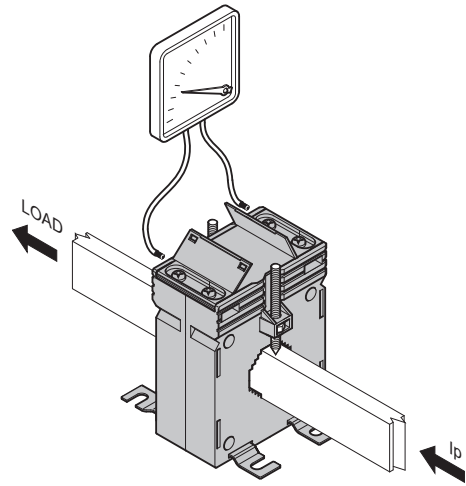
24020 GORLE (BERGAMO) ITALIA
VIA DON E. MAZZA, 12
TEL. 035 4282111
E-mail info@LovatoElectric.com
Web www.LovatoElectric.com



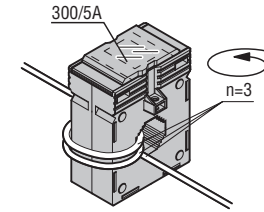
- I** TRASFORMATORE DI CORRENTE - TIPO A FORO PASSANTE
GB CURRENT TRANSFORMER - SOLID CORE TYPE
D STROMWANDLER - AUFSTECK-TYP
F TRANSFORMATEUR D'INTENSITE - TYPE A PASSAGE
E TRANSFORMADORE DE CORRIENTE - TIPO PASANTE
DM1TP... - DM3TP... - DM5TP...



DM...TP...

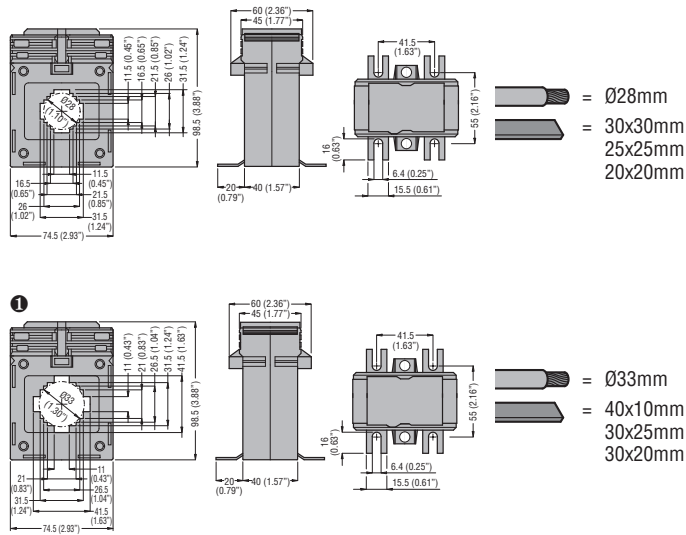


300:n/5A
300:1/5A=300/5A



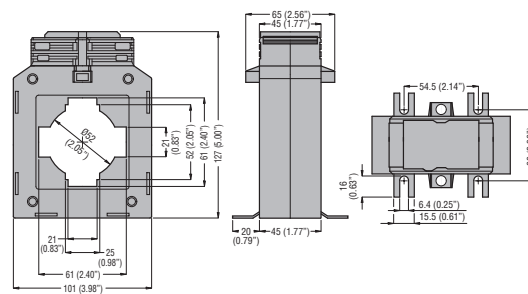
300:n/5A
300:3/5A=100/5A

DM1TP...



	Ip	cl./kl. 0.5s	cl./kl. 0.5
	/5 [A]	[VA]	[VA]
DM1TP0060	60	1.5	1.5
DM1TP0080	80	2.5	2.5
DM1TP0100	100	2.5	3.75
DM1TP0150	150	2.5	3.75
DM1TP0200	200	2.5	3.75
DM1TP0250	250	2.5	5
DM1TP0300	300	2.5	5
DM1TP0400	400	5	5
DM1TP0500	500	5	5
DM1TP0600	600	5	5

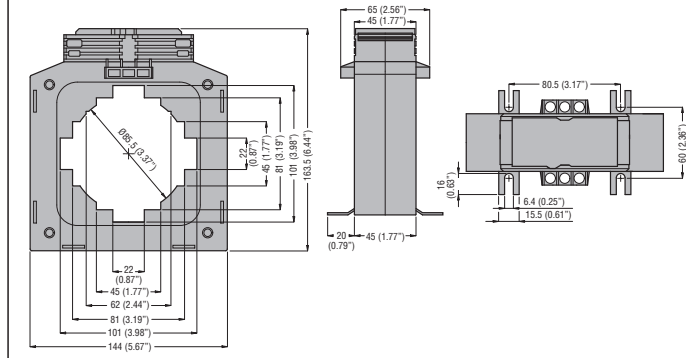
DM3TP...



- Ø52mm
- 60x20mm
- 50x25mm

	Ip	cl./kl. 0.5s	cl./kl. 0.5
	/5 [A]	[VA]	[VA]
DM3TP0500	500	3.75	5
DM3TP0600	600	5	10
DM3TP0800	800	5	10
DM3TP1000	1000	5	10

DM5TP...



- Ø86mm
- 100x20mm
- 80x45mm

	Ip	cl./kl. 0.5s	cl./kl. 0.5
	/5 [A]	[VA]	[VA]
DM5TP1000	1000	5	10
DM5TP1250	1250	7.5	10
DM5TP1600	1600	7.5	10
DM5TP2000	2000	10	15
DM5TP2500	2500	10	15
DM5TP3000	3000	10	15