

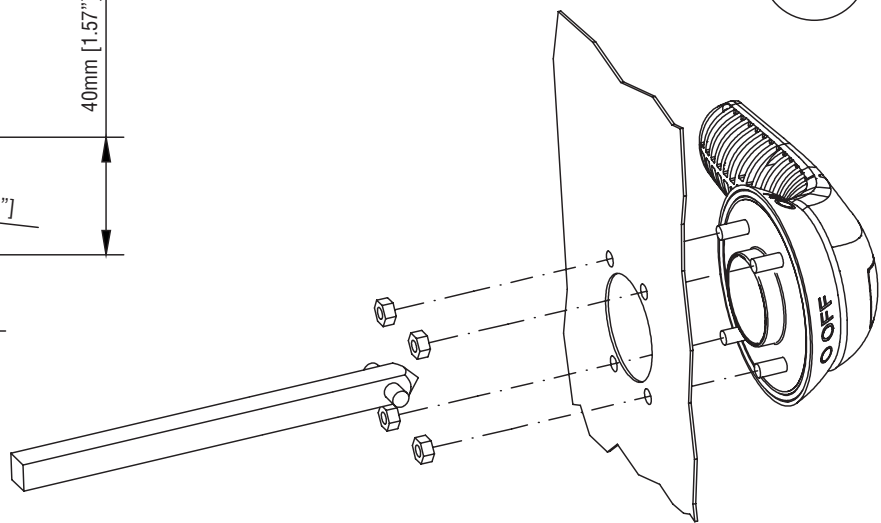
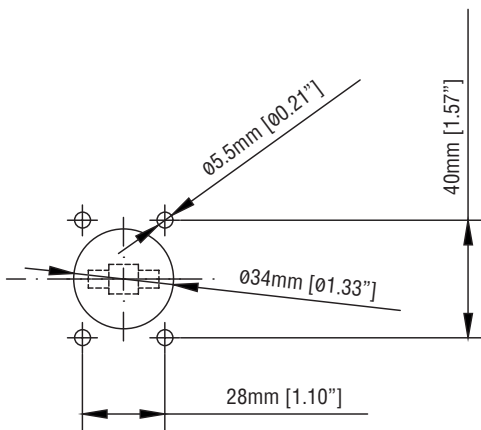
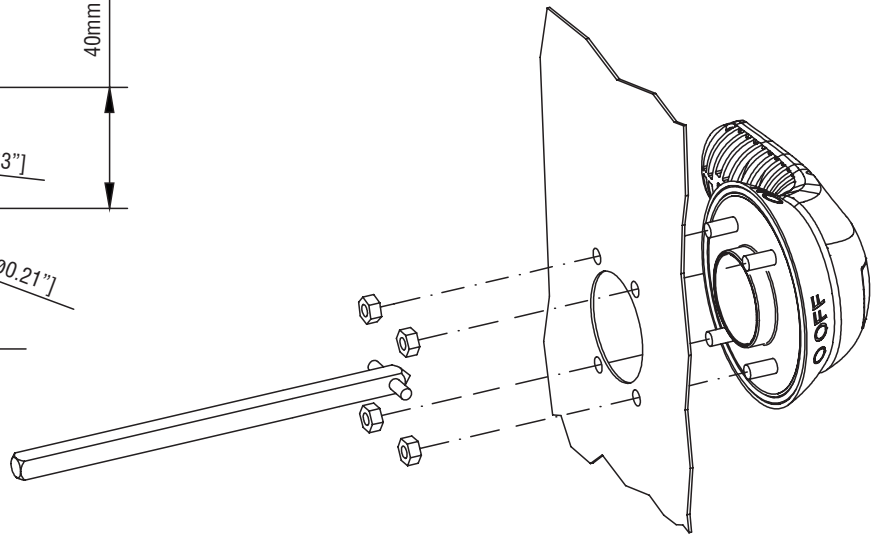
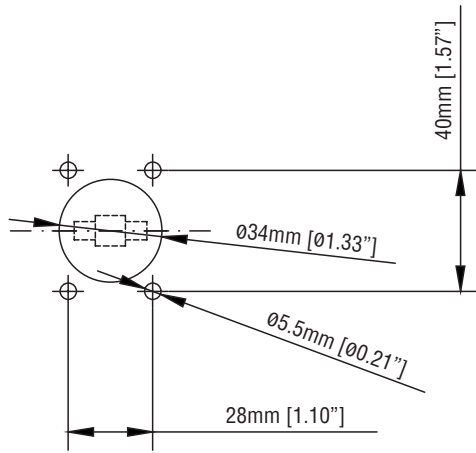
- (GB)** ASSEMBLY INSTRUCTIONS
- (I)** ISTRUZIONI DI MONTAGGIO
- (D)** ANWEISUNG
- (E)** INSTRUCCIONES DE MONTAJE

GEFX7... - GEFX10...

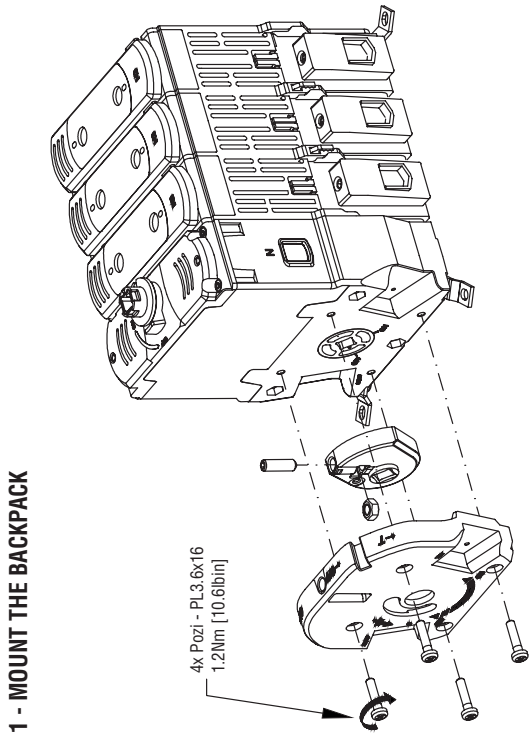


WARNING!! This equipment is to be installed by qualified persons, to prevent damages or safety hazards. Refer to our catalogue for the correct operational limits.

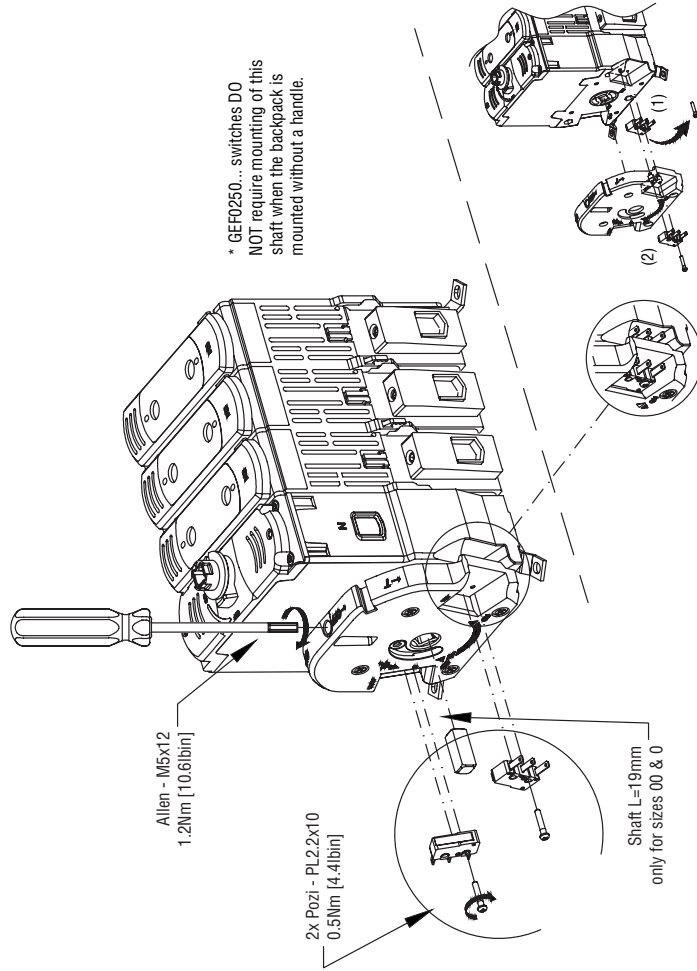
ATTENZIONE!! Questo apparecchio deve essere installato da personale qualificato, nel rispetto delle vigenti normative impiantistiche allo scopo di evitare danni a persone o cose. Per gli esatti limiti d'impiego consultare il catalogo.



1 - MOUNT THE BACKPACK

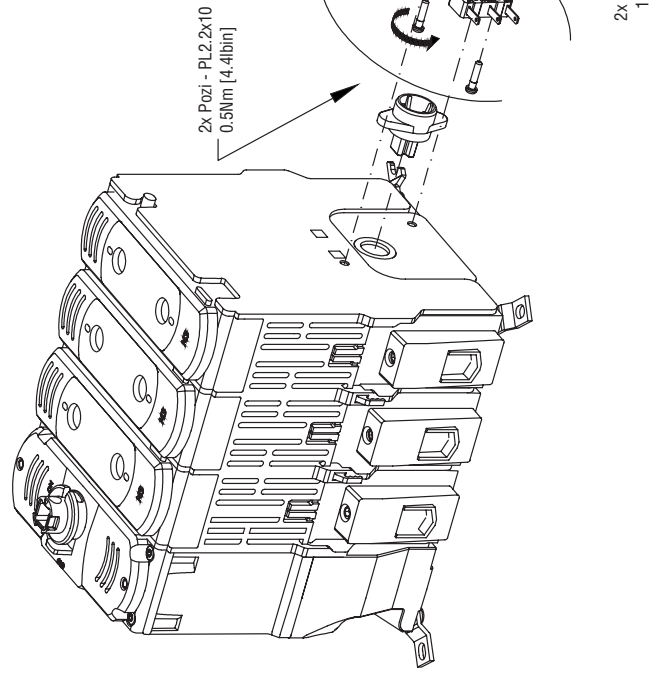


2 - TIGHT THE SET SCREW



Always mount accessories on position OFF

O-OFF

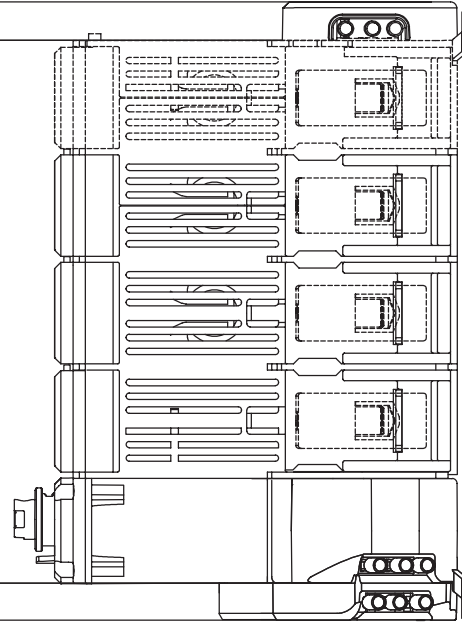


Code	L	
	mm	in
GEF0050...0063...	120	4.72
GEF100...	147	5.79
GEF0125...0160...	132	5.20
	163	6.42
	144	5.67
GEF0250N...	179	7.05
	223.7	8.81
	278.7	10.97

12 [0.47"]

L

12.5 [0.49"]



! THE BACKPACK INCLUDES FIXINGS FOR THE MICRO SWITCHES INTENDED TO BE INSTALLED ON THE OPERATING MECHANISM.

The screws used to fix micro switches (1) to operating mechanism must be removed if micro switches were previously installed on it.