

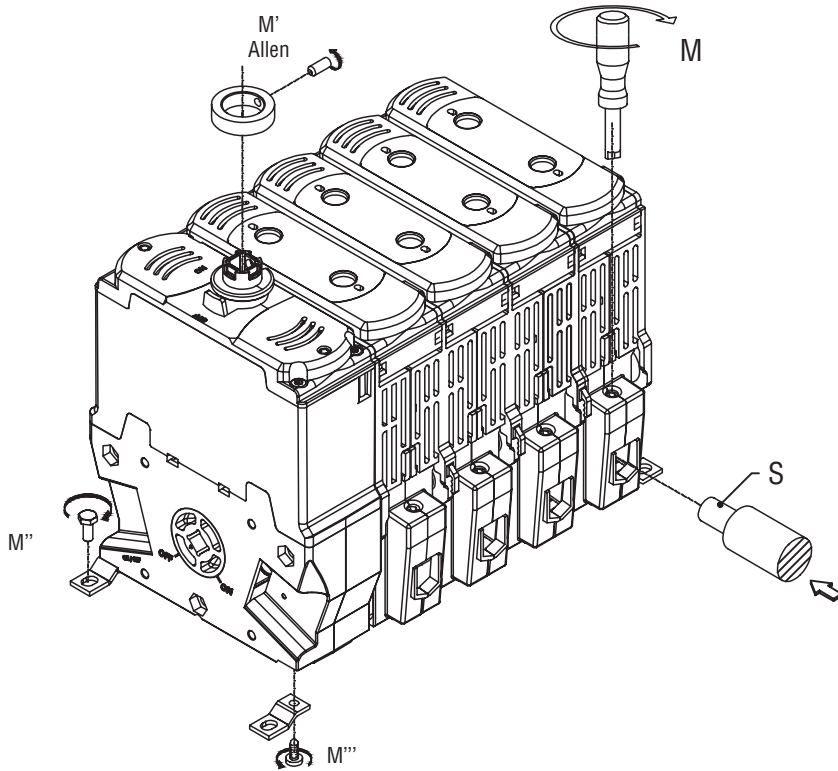
- (GB) ASSEMBLY INSTRUCTIONS**
- (I) ISTRUZIONI DI MONTAGGIO**
- (D) ANWEISUNG**
- (E) INSTRUCCIONES DE MONTAJE**

GEF0050...160...



WARNING!! This equipment is to be installed by qualified persons, to prevent damages or safety hazards. Refer to our catalogue for the correct operational limits.

ATTENZIONE!! Questo apparecchio deve essere installato da personale qualificato, nel rispetto delle vigenti normative impiantistiche allo scopo di evitare danni a persone o cose. Per gli esatti limiti d'impiego consultare il catalogo.

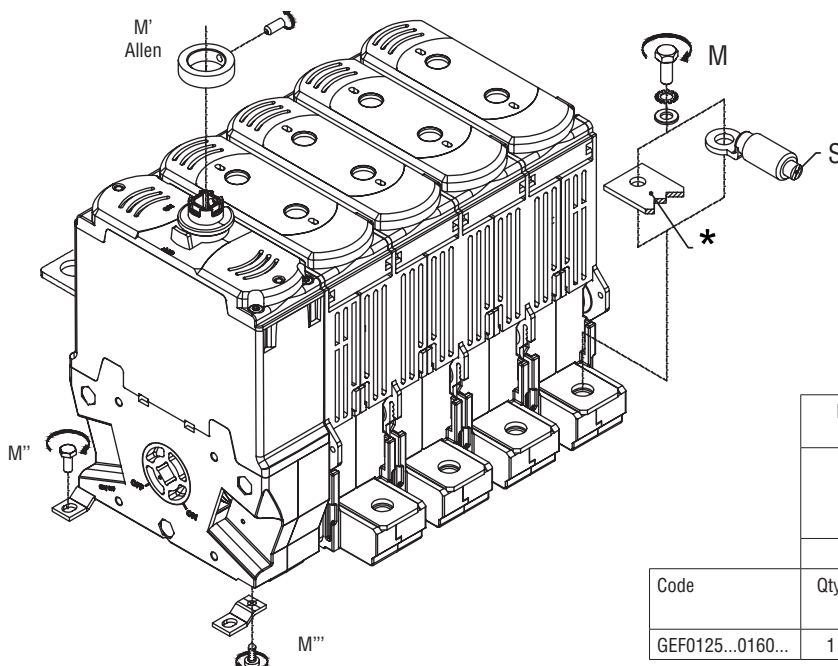


Code	Wire / Câble Cable		M	
	Cu		+5% -10%	
	S max		Nm	lbf in
GEF0050...0063...	1x 25	1x 4	2	17.7
GEF0100...	50	0		26.5

T	M'	
	+5% -10%	
	Nm	lbf in
M4	1	8.85

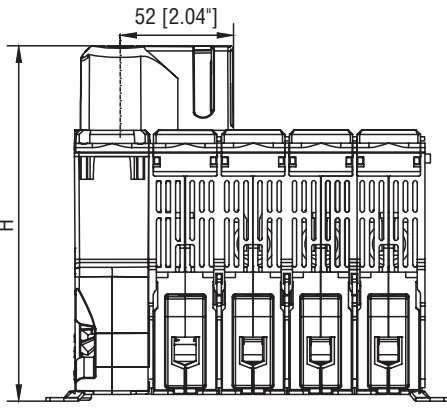
T	M''	
	+5% -10%	
	Nm	lbf in
M4	1.5	13.3

T	M'''	
	+5% -10%	
	Nm	lbf in
Ch 3.5	0.8	7.1



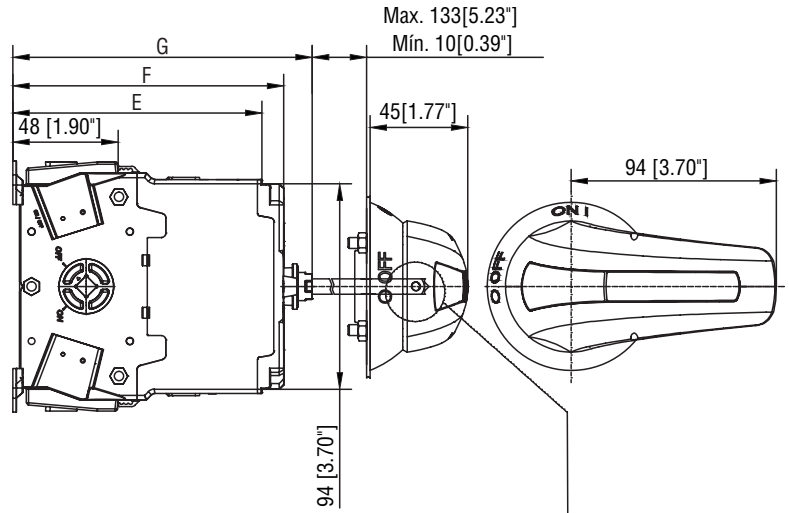
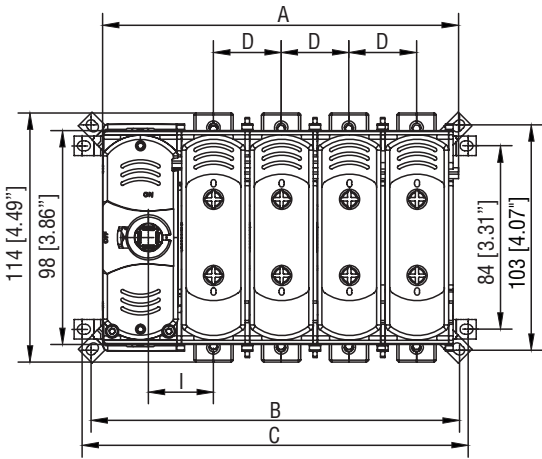
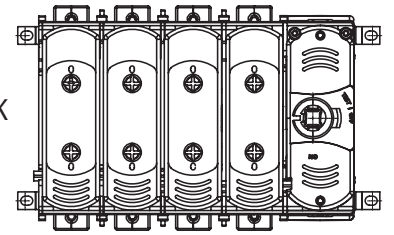
Busbar / Jeu de Barres / Pletina				Wire / Câble Cable	
*					

Code	Qty.	H max		L max		S max		T	M	
		mm	in	mm	in	mm ²	AWG		+5% -10%	Nm
GEF0125...0160...	1	3	1/8	25	1	1x 70	1x 00	M8	5	53

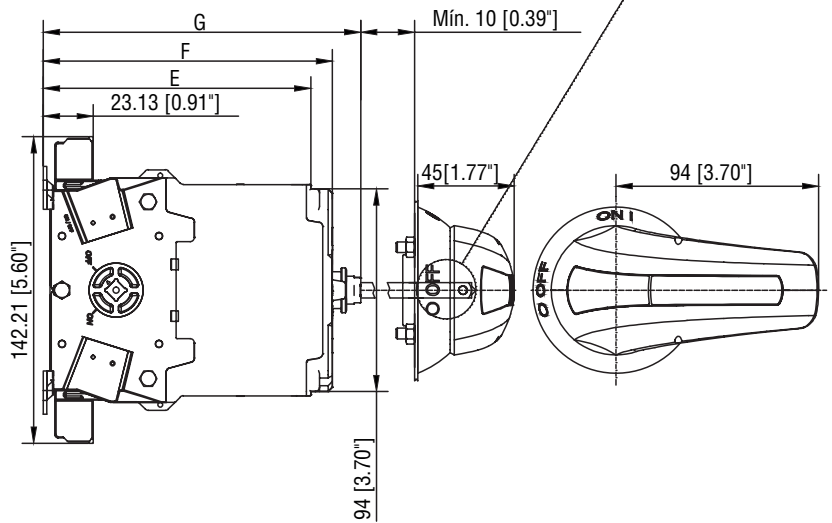
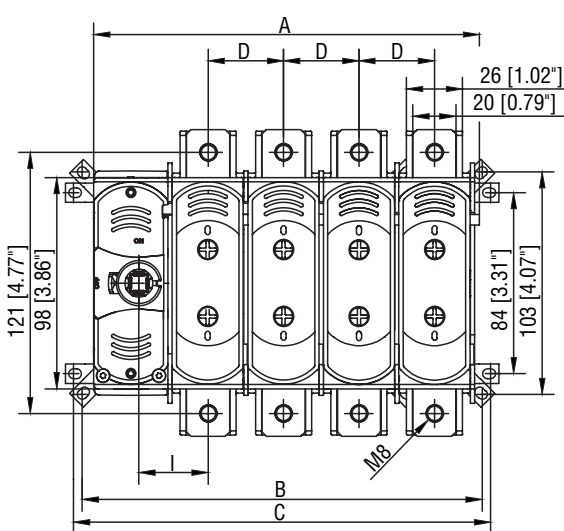


Warning for all sizes.
Considerer this when installing horizontal
ATTENZIONE per tutte le taglie
Da considerare quando si installa orizzontalmente.

NO OK



	A		B		C		D		E		F		G		H		I	
	mm	in	mm	in	mm	in	mm	in	mm	in	mm	in	mm	in	mm	in	mm	in
GEF0050F	120	4.72	126	4.96	134	5.27	27	1.06	92	3.62	102	4.01	115	4.52	141	5.55	25.8	1.01
GEF0050FT4	147	5.78	153	6.02	161	6.33	27	1.06	92	3.62	102	4.01	115	4.52	141	5.55	25.8	1.01
GEF0063N	120	4.72	126	4.96	134	5.27	27	1.06	92	3.62	102	4.01	115	4.52	141	5.55	25.8	1.01
GEF0063NT4	147	5.78	153	6.02	161	6.33	27	1.06	92	3.62	102	4.01	115	4.52	141	5.55	25.8	1.01
GEF100F	132	5.19	138	5.43	146	5.74	31	1.22	92	3.62	102	4.01	115	4.52	141	5.55	29.8	1.17
GEF100FT4	163	6.41	169	6.65	177	6.96	31	1.22	92	3.62	102	4.01	115	4.52	141	5.55	29.8	1.17
GEF100N	132	5.19	138	5.43	146	5.74	31	1.22	92	3.62	102	4.01	115	4.52	141	5.55	29.8	1.17
GEF100NT4	163	6.41	169	6.65	177	6.96	31	1.22	92	3.62	102	4.01	115	4.52	141	5.55	29.8	1.17



	A		B		C		D		E		F		G		H		I	
	mm	in	mm	in	mm	in	mm	in	mm	in	mm	in	mm	in	mm	in	mm	in
GEF125F	144	5.66	151	5.94	159	6.25	35	1.38	124	4.88	134	5.27	147	5.78	173	6.80	32.1	1.26
GEF125FT4	179	7.04	186	7.32	194	7.63	35	1.38	124	4.88	134	5.27	147	5.78	173	6.80	32.1	1.26
GEF125N	144	5.66	151	5.94	159	6.25	35	1.38	124	4.88	134	5.27	147	5.78	173	6.80	32.1	1.26
GEF125NT4	179	7.04	186	7.32	194	7.63	35	1.38	124	4.88	134	5.27	147	5.78	173	6.80	32.1	1.26
GEF160N	144	5.66	151	5.94	159	6.25	35	1.38	124	4.88	134	5.27	147	5.78	173	6.80	32.1	1.26
GEF160NT4	179	7.04	186	7.32	194	7.63	35	1.38	124	4.88	134	5.27	147	5.78	173	6.80	32.1	1.26