



Current transformers
DM3TP0800
Solid-core

Product designation

Product type designation

Type of CT

Current inputs

Primary current I _{pn} (/5)	A	800
Operational frequency	min max	Hz Hz
		50 60
Secondary output current	A	5
Overload withstand I _{pn}	%	120
Burden	cl. 0.5s cl. 0.5	VA VA
		5 10

Insulations

Rated insulation voltage U _i IEC/EN	V	720
IEC rated short-time thermal current I _{th}	I _{th} for s	40...60
IEC rated dynamic current I _{dyn}	I _{th} for s	2.5
Insulation dry type		Class E

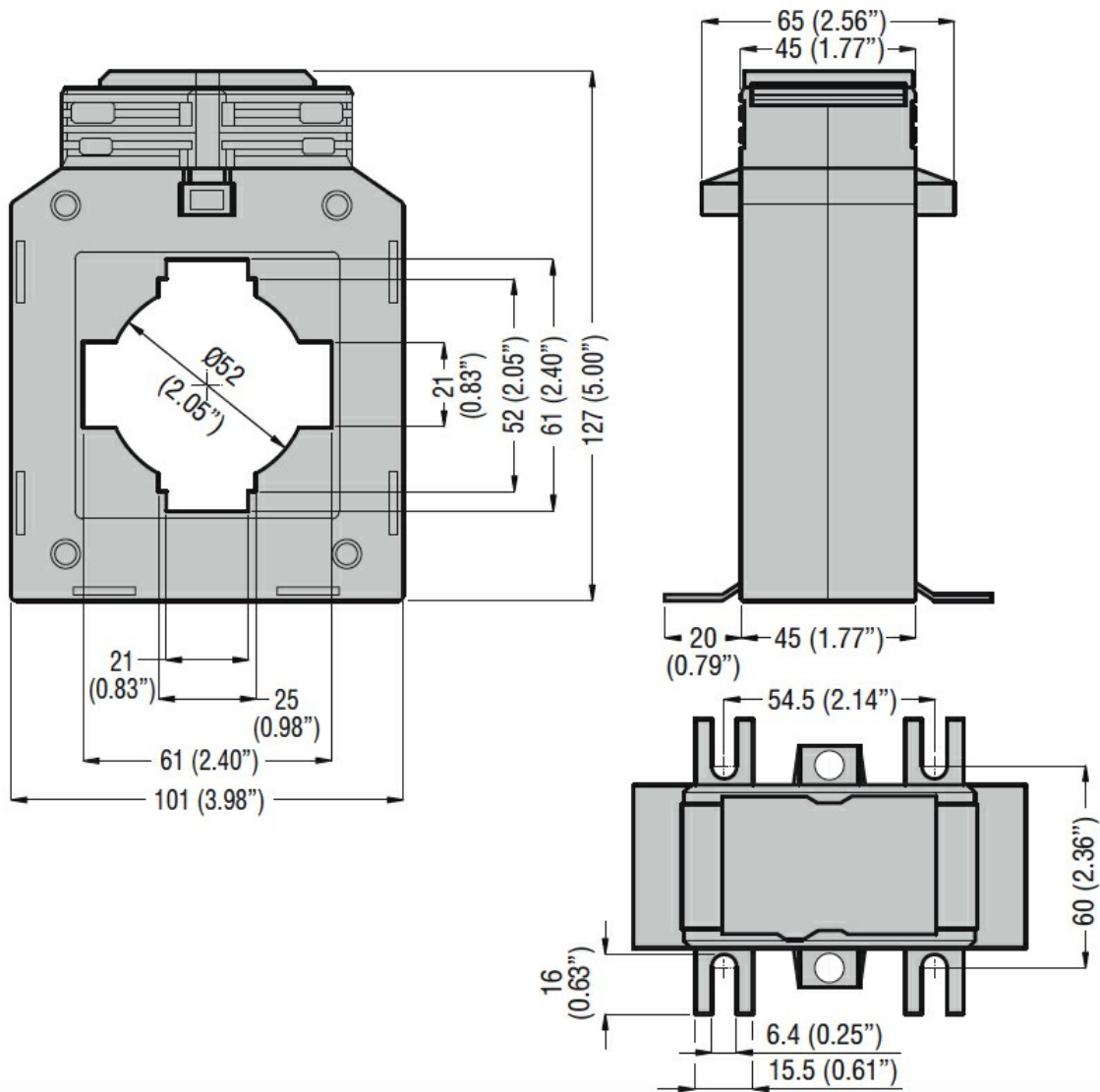
Mechanical features

Terminals type	Screw
Fixing	DIN rail or by Screw
Weight	g
	700

Ambient conditions

Temperature	Operating temperature	min max	°C °C	-25 +50
	Storage temperature	min max	°C °C	-40 +80
Relative humidity			%	90
Protection degree				IP30

Dimensions



Certifications and compliance

Certifications

IEC/EN/BS 61869-1

IEC/EN/BS 61869-2

Compliance

EAC

ETIM classification

EC000066 - Power contactor, AC switching