

Product designation Power contactor
Product type designation DPBF80

Contact characteristics

Number of poles	Nr.	3
Operational frequency	min	Hz 25
	max	Hz 400

Mechanical features

Operating position	normal allowable	Vertical plan ±30°
		Screw / DIN rail 35mm
Fixing		
Weight	g	1020

Operations

Mechanical life	cycles	15000000
Electrical life	cycles	1300000

Safety related data

Performance level B10d according to EN/ISO 13489-1	rated load mechanical load	cycles	1300000
		cycles	15000000
Mirror contacts according to IEC/EN 60947-4-1			yes
EMC compatibility			yes

AC coil operating

Rated AC voltage at 60Hz	V	230	
AC operating voltage	of 60Hz coil powered at 60Hz pick-up		
	min	%Us	80
	max	%Us	110
	drop-out		
	min	%Us	20
	max	%Us	55

AC average coil consumption at 20°C	of 50/60Hz coil powered at 50Hz		
	in-rush	VA	30
	holding	VA	4
	of 50/60Hz coil powered at 60Hz		
	in-rush	VA	25
	holding	VA	3
	of 60Hz coil powered at 60Hz		
	in-rush	VA	210
	holding	VA	15

Dissipation at holding ≤20°C 50Hz	W	5
-----------------------------------	---	---

Max cycles frequency

Mechanical operation	cycles/h	3600
----------------------	----------	------

Operating times

Average time for Us control in AC	Closing NO		
	min	ms	12
	max	ms	28
	Opening NO		

		min	ms	8
		max	ms	22
Closing NC				
		min	ms	0
		max	ms	0
Opening NC				
		min	ms	0
<hr/>				
in DC				
Closing NO				
		min	ms	40
		max	ms	85
Opening NO				
		min	ms	20
		max	ms	55

UL technical data

Full-load current (FLA) for three-phase AC motor

at 600V A 80

Locked rotor current (LRA)

A 480

General USE

Contactor

AC current A 115

Short-circuit protection fuse, 600V

High fault

Short circuit current kA 100

Fuse rating A 200

Fuse class J

Standard fault

Short circuit current kA 10

Fuse rating A 200

Fuse class RK5

Ambient conditions

Temperature

Operating temperature

min °C -50

max °C 70

Storage temperature

min °C -60

max °C 80

Max altitude

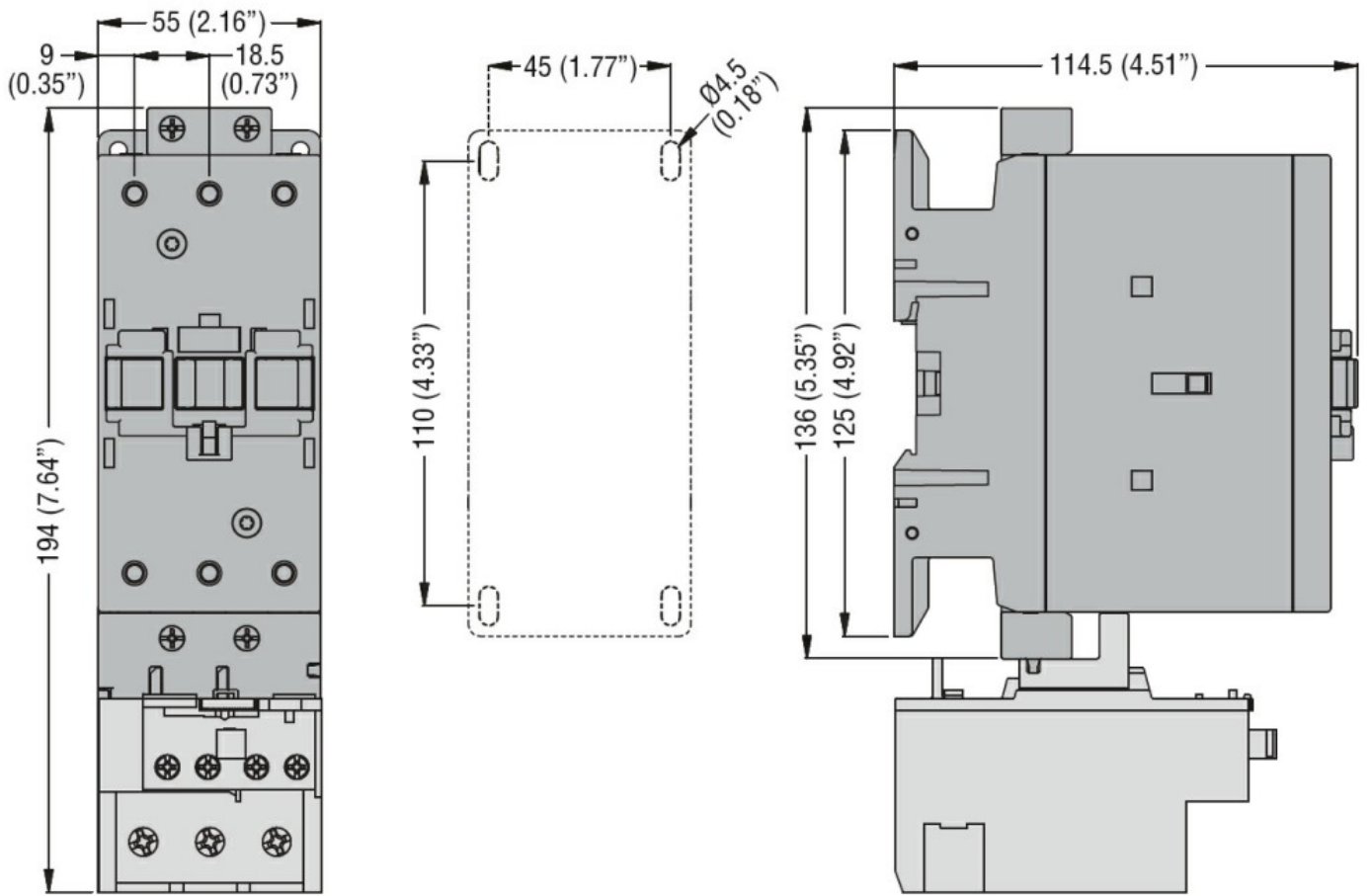
m 3000

Resistance & Protection

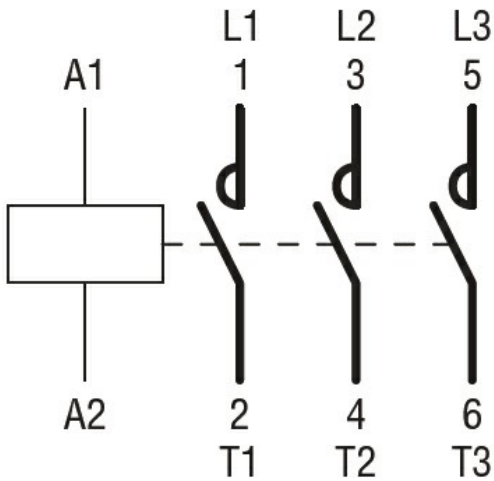
Pollution degree

3

Dimensions



Wiring diagrams



Certifications and compliance

Compliance

CSA C22.2 n° 60947-1
 CSA C22.2 n° 60947-4-69
 UL 60947-1
 UL 60947-4-1

Certificates

cULus

ETIM classification

ETIM 8.0

EC000066 -
Power contactor,
AC switching