

Product designation				Power contactor
Product type designation				DPBF80
<b>Contact characteristics</b>				
Number of poles			Nr.	3
Operational frequency				
	min	Hz	25	
	max	Hz	400	
<b>Mechanical features</b>				
Operating position			normal allowable	Vertical plan ±30°
Fixing				Screw / DIN rail 35mm
Weight			g	1020
<b>Operations</b>				
Mechanical life			cycles	15000000
Electrical life			cycles	1300000
<b>Safety related data</b>				
Performance level B10d according to EN/ISO 13489-1				
		rated load mechanical load	cycles	1300000
			cycles	15000000
Mirror contacts according to IEC/EN 60947-4-1				yes
EMC compatibility				yes
<b>AC coil operating</b>				
Rated AC voltage at 60Hz			V	120
AC operating voltage				
	of 60Hz coil powered at 60Hz			
	pick-up			
	min	%Us	80	
	max	%Us	110	
	drop-out			
	min	%Us	20	
	max	%Us	55	
AC average coil consumption at 20°C				
	of 50/60Hz coil powered at 50Hz			
		in-rush holding	VA	30
			VA	4
	of 50/60Hz coil powered at 60Hz			
		in-rush holding	VA	25
			VA	3
	of 60Hz coil powered at 60Hz			
		in-rush holding	VA	210
			VA	15
Dissipation at holding ≤20°C 50Hz			W	5
<b>Max cycles frequency</b>				
Mechanical operation				cycles/h 3600
<b>Operating times</b>				
Average time for Us control				
	in AC			
	Closing NO			
	min	ms	12	
	max	ms	28	
	Opening NO			

		min	ms	8
		max	ms	22
	Closing NC			
		min	ms	0
		max	ms	0
	Opening NC			
		min	ms	0
<hr/>				
	in DC			
	Closing NO			
		min	ms	40
		max	ms	85
	Opening NO			
		min	ms	20
		max	ms	55

**UL technical data**

Full-load current (FLA) for three-phase AC motor

at 600V A 80

Locked rotor current (LRA)

A 480

General USE

Contactor

AC current A 115

Short-circuit protection fuse, 600V

High fault

Short circuit current kA 100

Fuse rating A 200

Fuse class J

Standard fault

Short circuit current kA 10

Fuse rating A 200

Fuse class RK5

**Ambient conditions**

Temperature

Operating temperature

min °C -50

max °C 70

Storage temperature

min °C -60

max °C 80

Max altitude

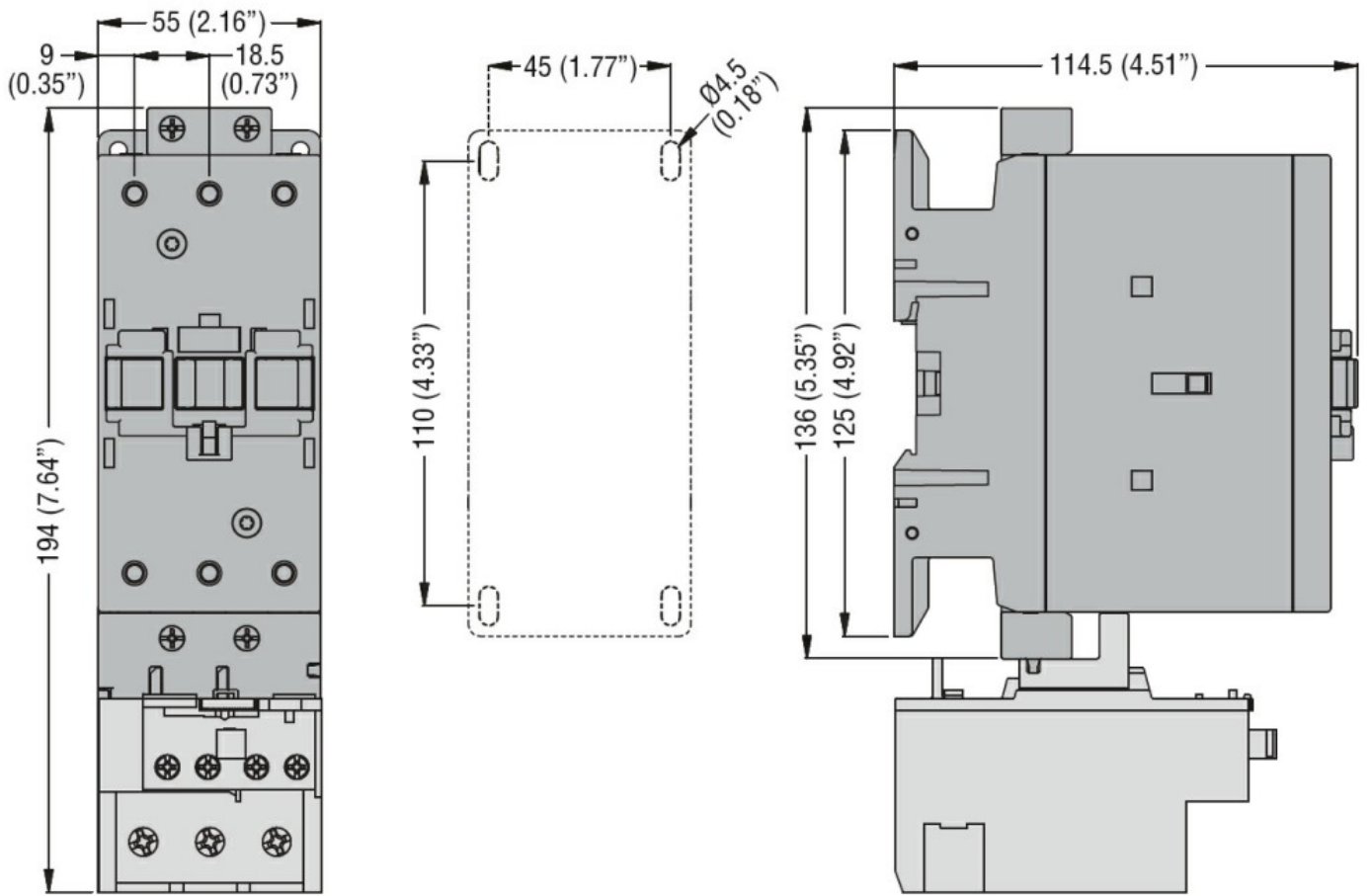
m 3000

**Resistance & Protection**

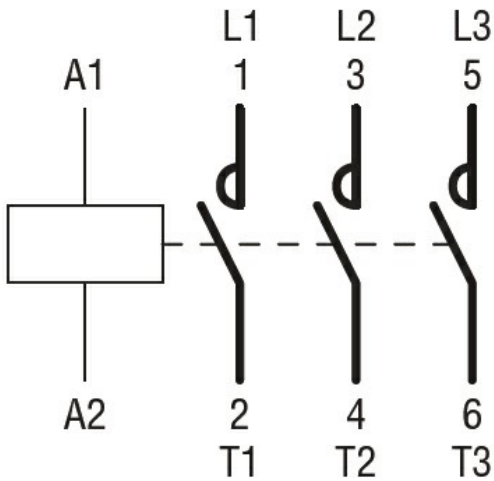
Pollution degree

3

**Dimensions**



### Wiring diagrams



### Certifications and compliance

#### Compliance

CSA C22.2 n° 60947-1  
 CSA C22.2 n° 60947-4-68  
 UL 60947-1  
 UL 60947-4-1

#### Certificates

cULus

### ETIM classification

ETIM 8.0

EC000066 -  
Power contactor,  
AC switching