

Product designation				Power contactor	
Product type designation				DPBF65	
Contact characteristics					
Number of poles		Nr.	3		
Operational frequency		min	Hz	25	
		max	Hz	400	
Mechanical features					
Operating position		normal allowable	Vertical plan ±30°		
	Fixing	Screw / DIN rail 35mm			
Weight		g	1020		
Operations					
Mechanical life		cycles	15000000		
Electrical life		cycles	1400000		
Safety related data					
Performance level B10d according to EN/ISO 13489-1		rated load	cycles	1400000	
		mechanical load	cycles	15000000	
Mirror contacts according to IEC/EN 60947-4-1				yes	
EMC compatibility				yes	
AC coil operating					
Rated AC voltage at 60Hz		V	120		
AC operating voltage	of 60Hz coil powered at 60Hz pick-up	min	%Us	80	
		max	%Us	110	
	drop-out	min	%Us	20	
		max	%Us	55	
	AC average coil consumption at 20°C				
	of 50/60Hz coil powered at 50Hz		in-rush	VA	30
		holding	VA	4	
of 50/60Hz coil powered at 60Hz		in-rush	VA	25	
		holding	VA	3	
of 60Hz coil powered at 60Hz		in-rush	VA	210	
		holding	VA	15	
Dissipation at holding ≤20°C 50Hz		W	5		
Max cycles frequency					
Mechanical operation		cycles/h	3600		
Operating times					
Average time for Us control in AC	Closing NO	min	ms	12	
		max	ms	28	
	Opening NO	min	ms	12	
		max	ms	28	

		min	ms	8
		max	ms	22
	Closing NC			
		min	ms	0
		max	ms	0
	Opening NC			
		min	ms	0
<hr/>				
	in DC			
	Closing NO			
		min	ms	40
		max	ms	85
	Opening NO			
		min	ms	20
		max	ms	55

UL technical data

Full-load current (FLA) for three-phase AC motor

at 600V A 80

Locked rotor current (LRA)

A 480

General USE

Contactor

AC current A 100

Short-circuit protection fuse, 600V

High fault

Short circuit current kA 100

Fuse rating A 200

Fuse class J

Standard fault

Short circuit current kA 10

Fuse rating A 200

Fuse class RK5

Ambient conditions

Temperature

Operating temperature

min °C -50

max °C 70

Storage temperature

min °C -60

max °C 80

Max altitude

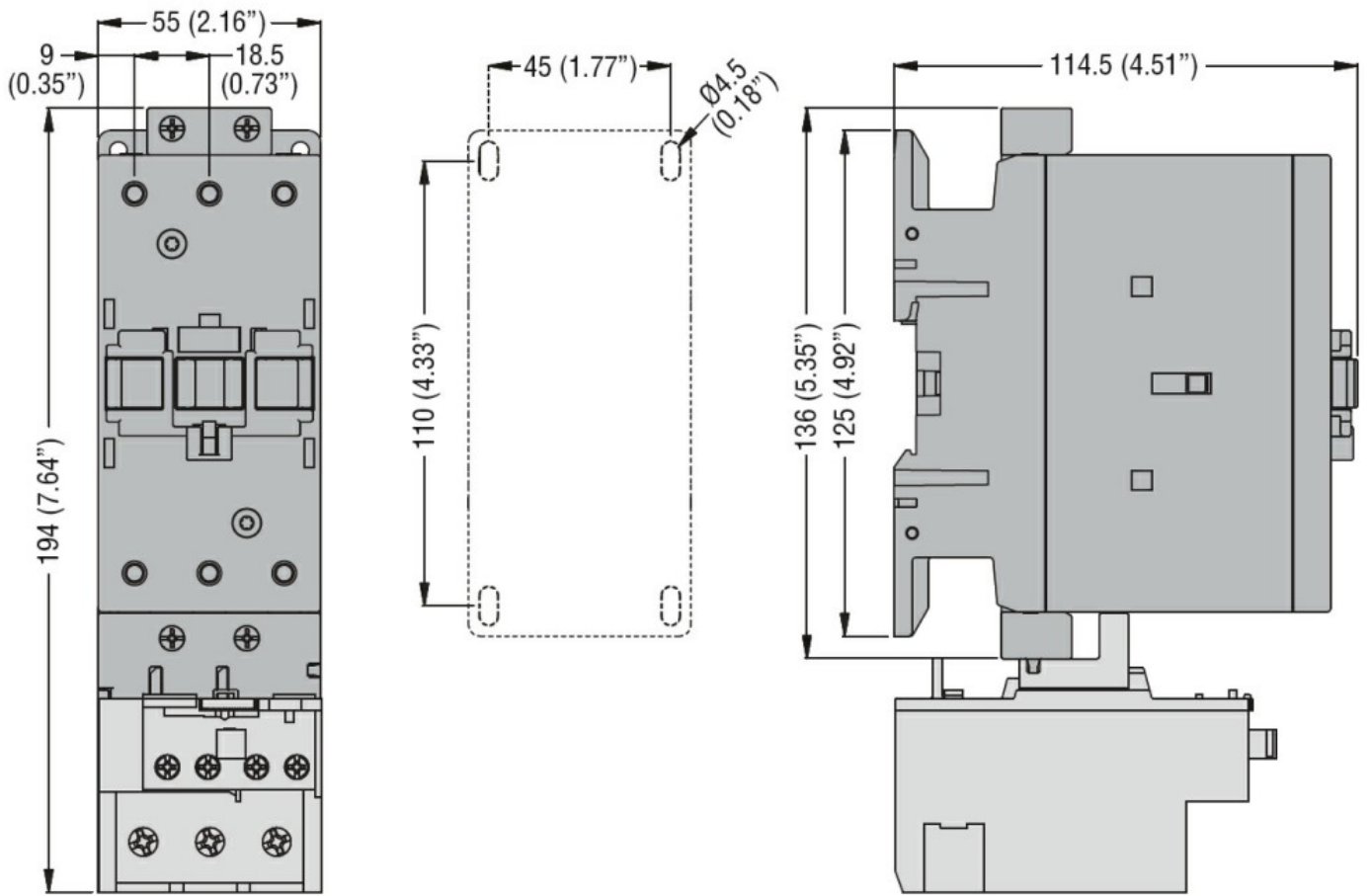
m 3000

Resistance & Protection

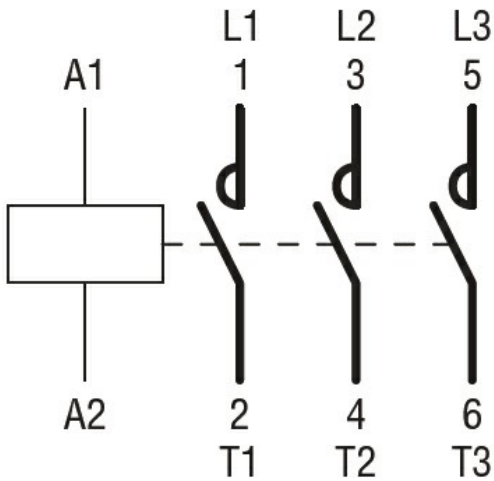
Pollution degree

3

Dimensions



Wiring diagrams



Certifications and compliance

Compliance

- CSA C22.2 n° 60947-1
- CSA C22.2 n° 60947-4-65
- UL 60947-1
- UL 60947-4-1

Certificates

cULus

ETIM classification

ETIM 8.0

EC000066 -
Power contactor,
AC switching