

Product designation Power contactor  
Product type designation DPBF65

**Contact characteristics**

Number of poles	Nr.	3
Operational frequency	min	Hz 25
	max	Hz 400

**Mechanical features**

Operating position	normal allowable	Vertical plan ±30°
	Fixing	Screw / DIN rail 35mm
Weight	g	1020

**Operations**

Mechanical life	cycles	15000000
Electrical life	cycles	1400000

**Safety related data**

Performance level B10d according to EN/ISO 13489-1	rated load	cycles	1400000
	mechanical load	cycles	15000000
Mirror contacts according to IEC/EN 609474-4-1			yes
EMC compatibility			yes

**AC coil operating**

Rated AC voltage at 60Hz	V	24
AC operating voltage	of 60Hz coil powered at 60Hz pick-up	
	min	%Us 80
	max	%Us 110
	drop-out	
	min	%Us 20
	max	%Us 55

AC average coil consumption at 20°C	of 50/60Hz coil powered at 50Hz	
	in-rush	VA 30
	holding	VA 4
	of 50/60Hz coil powered at 60Hz	
	in-rush	VA 25
	holding	VA 3
	of 60Hz coil powered at 60Hz	
	in-rush	VA 210
	holding	VA 15

Dissipation at holding ≤20°C 50Hz W 5

**Max cycles frequency**

Mechanical operation cycles/h 3600

**Operating times**

Average time for Us control in AC	Closing NO	
	min	ms 12
	max	ms 28
	Opening NO	

		min	ms	8
		max	ms	22
	Closing NC			
		min	ms	0
		max	ms	0
	Opening NC			
		min	ms	0
<hr/>				
	in DC			
	Closing NO			
		min	ms	40
		max	ms	85
	Opening NO			
		min	ms	20
		max	ms	55

#### UL technical data

Full-load current (FLA) for three-phase AC motor

at 600V A 80

Locked rotor current (LRA)

A 480

General USE

Contactor

AC current A 100

Short-circuit protection fuse, 600V

High fault

Short circuit current kA 100

Fuse rating A 200

Fuse class J

Standard fault

Short circuit current kA 10

Fuse rating A 200

Fuse class RK5

#### Ambient conditions

Temperature

Operating temperature

min °C -50

max °C 70

Storage temperature

min °C -60

max °C 80

Max altitude

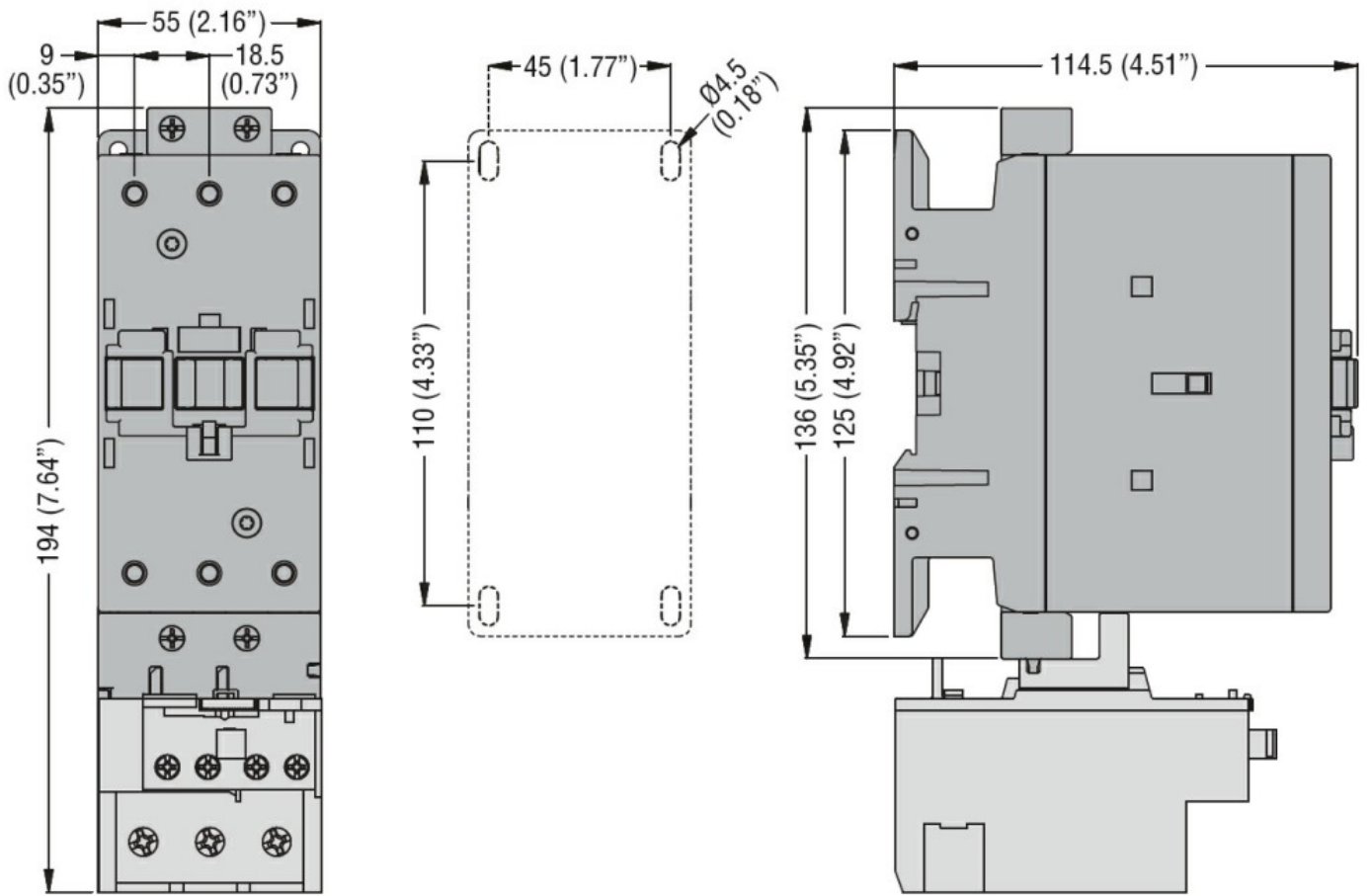
m 3000

#### Resistance & Protection

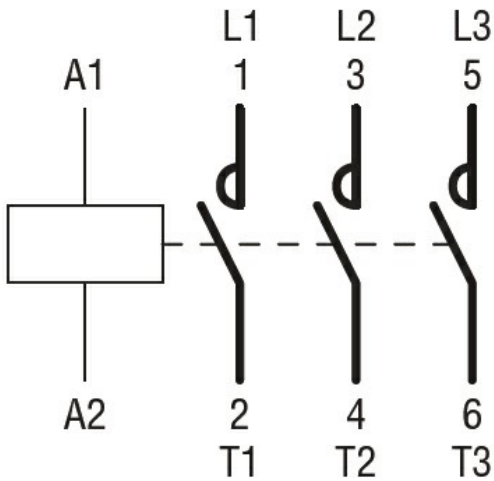
Pollution degree

3

#### Dimensions



### Wiring diagrams



### Certifications and compliance

#### Compliance

CSA C22.2 n° 60947-1  
 CSA C22.2 n° 60947-4-64  
 UL 60947-1  
 UL 60947-4-1

#### Certificates

cULus

### ETIM classification

ETIM 8.0

EC000066 -  
Power contactor,  
AC switching