



	Closing NC	min	ms	8
		max	ms	22
	Opening NC	min	ms	0
		max	ms	0
<hr/>				
in DC	Closing NO	min	ms	40
		max	ms	85
	Opening NO	min	ms	20
		max	ms	55

#### UL technical data

Full-load current (FLA) for three-phase AC motor

at 600V A 70

Locked rotor current (LRA)

A 420

General USE

Contactor

AC current A 90

Short-circuit protection fuse, 600V

High fault

Short circuit current kA 100

Fuse rating A 150

Fuse class J

Standard fault

Short circuit current kA 5

Fuse rating A 150

Fuse class RK5

#### Ambient conditions

Temperature

Operating temperature

min °C -50

max °C 70

Storage temperature

min °C -60

max °C 80

Max altitude

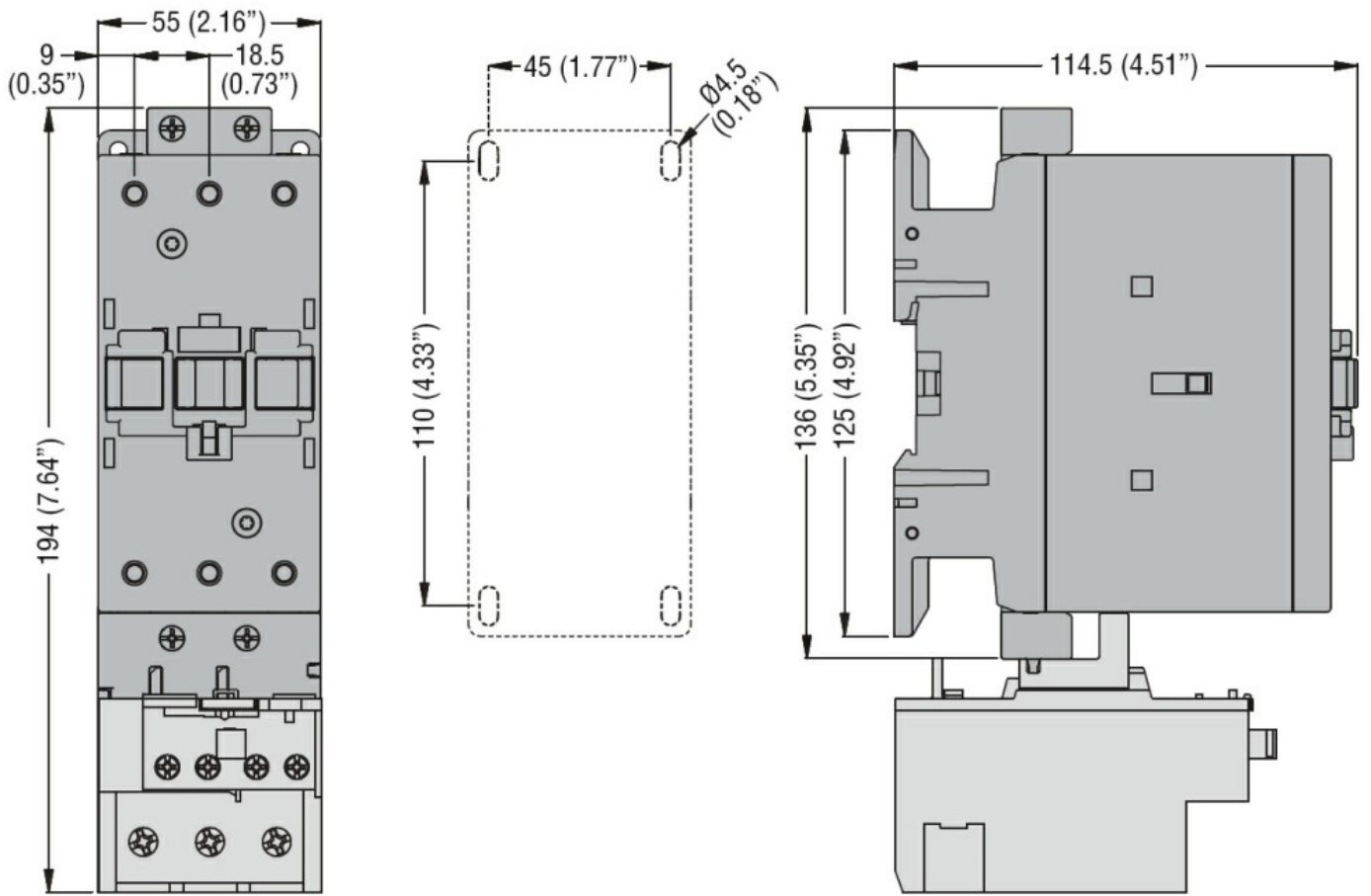
m 3000

#### Resistance & Protection

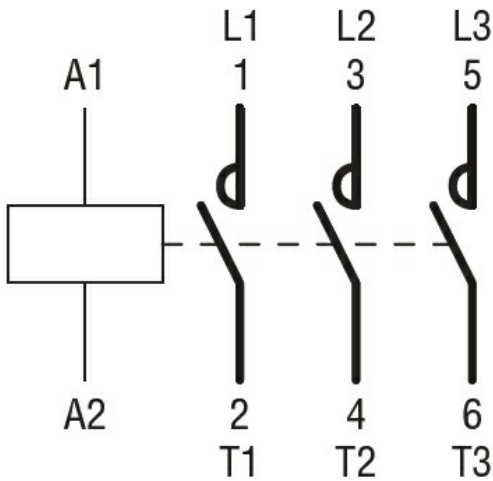
Pollution degree

3

#### Dimensions



**Wiring diagrams**



**Certifications and compliance**

**Compliance**

- CSA C22.2 n° 60947-1
- CSA C22.2 n° 60947-4-62
- UL 60947-1
- UL 60947-4-1

**Certificates**

cULus

**ETIM classification**

ETIM 8.0

EC000066 -  
Power contactor,  
AC switching