

Product designation				Power contactor
Product type designation				DPBF32
Contact characteristics				
Number of poles		Nr.	3	
Operational frequency		min	Hz	25
		max	Hz	400
Mechanical features				
Operating position		normal allowable	Vertical plan ±30°	
	Fixing		Screw / DIN rail 35mm	
Weight		g	554	
Operations				
Mechanical life		cycles	20000000	
Electrical life		cycles	1600000	
Safety related data				
Performance level B10d according to EN/ISO 13489-1		rated load	cycles	1600000
		mechanical load	cycles	20000000
Mirror contacts according to IEC/EN 60947-4-1			yes	
EMC compatibility			yes	
AC coil operating				
Rated AC voltage at 60Hz		V	230	
AC operating voltage	of 50/60Hz coil powered at 50Hz drop-out	max	%Us	0
AC operating voltage	of 60Hz coil powered at 60Hz pick-up	min	%Us	80
		max	%Us	110
	drop-out	min	%Us	20
		max	%Us	55
AC average coil consumption at 20°C of 60Hz coil powered at 60Hz		in-rush	VA	210
		holding	VA	15
			W	5
DC coil operating				
DC rated control voltage		V	24	
DC operating voltage	pick-up	min	%Us	70
		max	%Us	125
DC operating voltage	drop-out	min	%Us	10
		max	%Us	40
Average coil consumption ≤20°C		in-rush	W	5.4
		holding	W	5.4

Max cycles frequency

Mechanical operation cycles/h 3600

Operating times

Average time for Us control
in AC

Closing NO	min	ms	8
	max	ms	24
Opening NO	min	ms	5
	max	ms	15
Closing NC	min	ms	9
	max	ms	20
Opening NC	min	ms	9
	max	ms	17

in DC

Closing NO	min	ms	54
	max	ms	66
Opening NO	min	ms	14
	max	ms	17

UL technical data

Full-load current (FLA) for three-phase AC motor

at 600V A 50

Locked rotor current (LRA)

A 300

Yielded mechanical performance

for single-phase AC motor

110/120V	HP	3
230V	HP	10

for three-phase AC motor

200/208V	HP	15
220/230V	HP	15
460/480V	HP	30
575/600V	HP	40

General USE

Contactor

AC current A 55

Short-circuit protection fuse, 600V

Standard fault

Short circuit current	kA	5
Fuse rating	A	150
Fuse class		RK5

Ambient conditions

Temperature

Operating temperature

min	°C	-50
max	°C	70

Storage temperature

min	°C	-60
max	°C	80

Max altitude

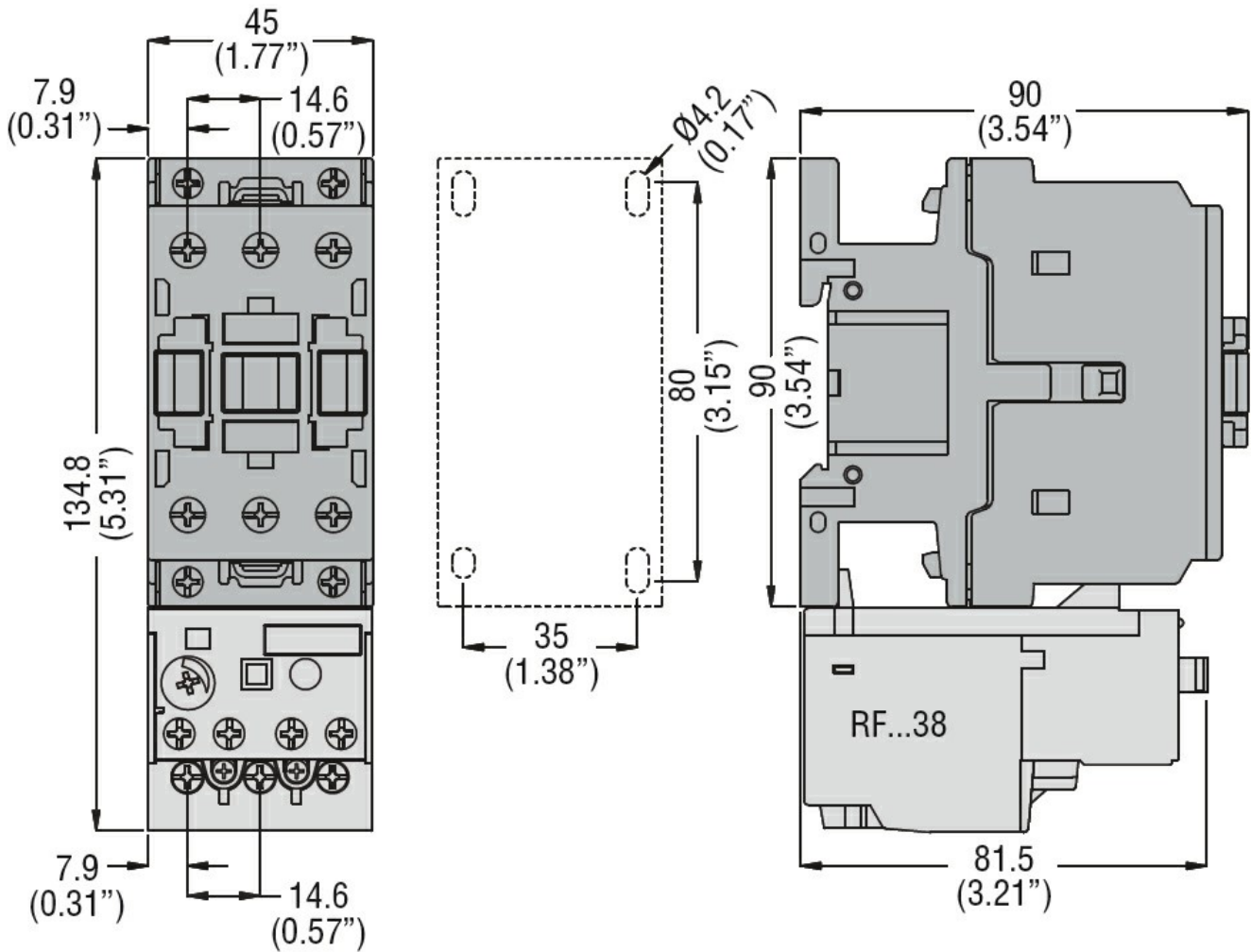
m 3000

Resistance & Protection

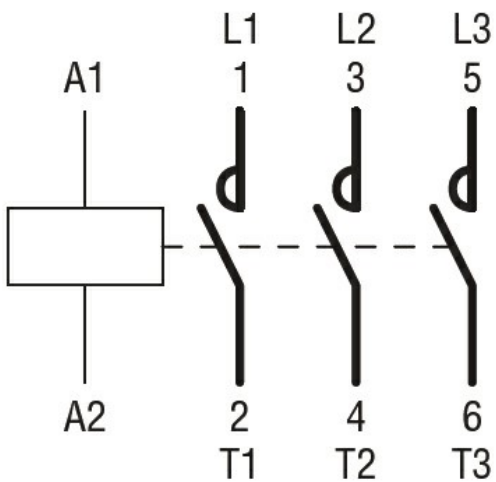
Pollution degree

3

Dimensions



Wiring diagrams



Certifications and compliance

Compliance

CSA C22.2 n° 60947-1
CSA C22.2 n° 60947-4-59

UL 60947-1

UL 60947-4-1

Certificates

cULus

ETIM classification

ETIM 8.0

EC000066 -
Power contactor,
AC switching