

Product designation				Power contactor	
Product type designation				DPBF32	
Contact characteristics					
Number of poles			Nr.	3	
Operational frequency			min	Hz 25	
			max	Hz 400	
Mechanical features					
Operating position	normal		Vertical plan		
	allowable		±30°		
Fixing				Screw / DIN rail 35mm	
Weight			g	422	
Operations					
Mechanical life			cycles	20000000	
Electrical life			cycles	1600000	
Safety related data					
Performance level B10d according to EN/ISO 13489-1	rated load		cycles	1600000	
	mechanical load		cycles	20000000	
Mirror contacts according to IEC/EN 60947-4-1				yes	
EMC compatibility				yes	
AC coil operating					
Rated AC voltage at 60Hz			V	460	
AC operating voltage of 60Hz coil powered at 60Hz	pick-up				
		min	%Us	80	
		max	%Us	110	
	drop-out				
		min	%Us	20	
		max	%Us	55	
AC average coil consumption at 20°C of 60Hz coil powered at 60Hz	in-rush		VA	75	
	holding		VA	9	
			W	2.5	
Dissipation at holding ≤20°C 50Hz					
Max cycles frequency					
Mechanical operation			cycles/h	3600	
Operating times					
Average time for Us control in AC	Closing NO				
		min	ms	8	
			max	ms	24
	Opening NO				
		min	ms	5	
			max	ms	15
	Closing NC				
		min	ms	9	
			max	ms	20
	Opening NC				

min	ms	9
max	ms	17

UL technical data

Full-load current (FLA) for three-phase AC motor

at 600V	A	50
---------	---	----

Locked rotor current (LRA)

A	300
---	-----

Yielded mechanical performance

for single-phase AC motor

110/120V	HP	3
230V	HP	10

for three-phase AC motor

200/208V	HP	15
220/230V	HP	15
460/480V	HP	30
575/600V	HP	40

General USE

Contactor

AC current	A	55
------------	---	----

Short-circuit protection fuse, 600V

Standard fault

Short circuit current	kA	5
Fuse rating	A	150
Fuse class		RK5

Ambient conditions

Temperature

Operating temperature

min	°C	-50
max	°C	70

Storage temperature

min	°C	-60
max	°C	80

Max altitude

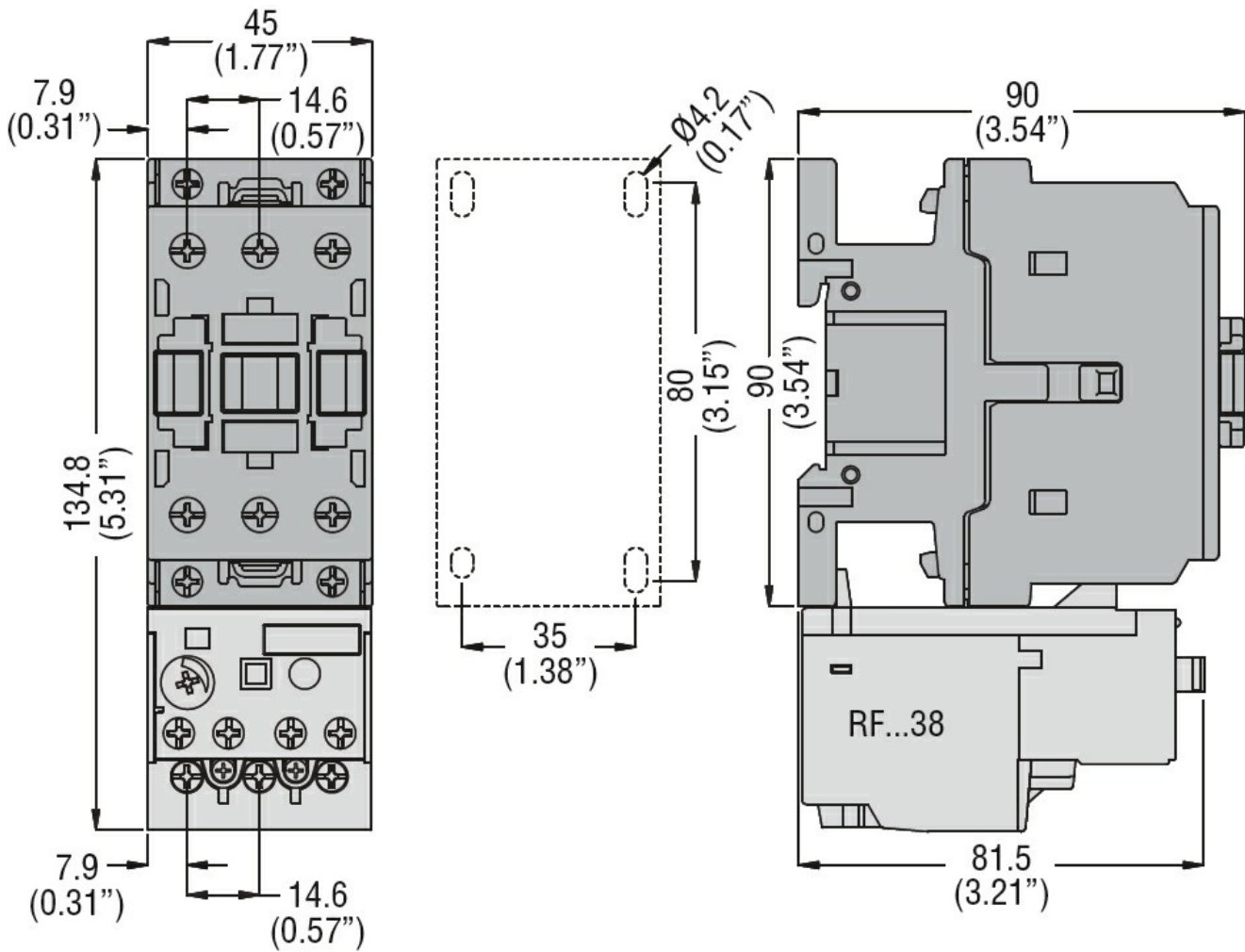
m	3000
---	------

Resistance & Protection

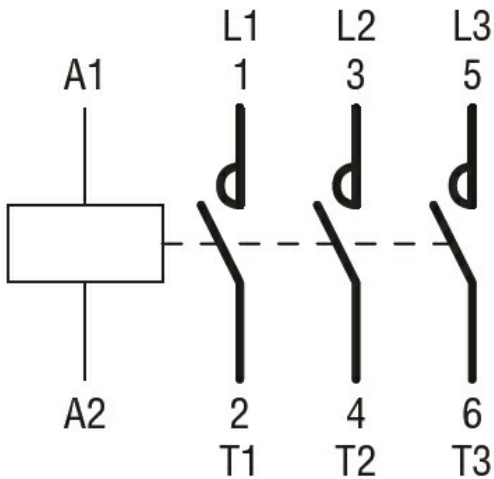
Pollution degree

3

Dimensions



Wiring diagrams



Certifications and compliance

Compliance

- CSA C22.2 n° 60947-1
- CSA C22.2 n° 60947-4-57
- UL 60947-1
- UL 60947-4-1

Certificates

cULus

ETIM classification

ETIM 8.0

EC000066 -
Power contactor,
AC switching