



Product designation				Power contactor
Product type designation				DPBF26
Contact characteristics				
Number of poles	Nr.			4
Operational frequency	min	Hz	25	
	max	Hz	400	
Mechanical features				
Operating position	normal	Vertical plan		
	allowable	±30°		
Fixing				Screw / DIN rail 35mm
Weight	g	512		
Operations				
Mechanical life	cycles	20000000		
Electrical life	cycles	1600000		
Safety related data				
Performance level B10d according to EN/ISO 13489-1	rated load	cycles	1600000	
	mechanical load	cycles	20000000	
Mirror contacts according to IEC/EN 60947-4-1				yes
EMC compatibility				yes
AC coil operating				
Rated AC voltage at 50/60Hz	V	240		
Rated AC voltage at 60Hz	V	230		
AC operating voltage				
of 50/60Hz coil powered at 50Hz	pick-up	min	%Us	80
		max	%Us	110
	drop-out	min	%Us	20
		max	%Us	55
of 50/60Hz coil powered at 60Hz	pick-up	min	%Us	85
		max	%Us	110
	drop-out	min	%Us	20
		max	%Us	55
of 60Hz coil powered at 60Hz	pick-up	min	%Us	80
		max	%Us	110
	drop-out			

	min	%Us	20
	max	%Us	55
AC average coil consumption at 20°C			
of 50/60Hz coil powered at 50Hz			
	in-rush	VA	75
	holding	VA	9
of 50/60Hz coil powered at 60Hz			
	in-rush	VA	70
	holding	VA	6.5
of 60Hz coil powered at 60Hz			
	in-rush	VA	75
	holding	VA	9
Dissipation at holding ≤20°C 50Hz		W	2.5
Max cycles frequency			
Mechanical operation		cycles/h	3600
Operating times			
Average time for Us control			
in AC			
Closing NO			
	min	ms	8
	max	ms	24
Opening NO			
	min	ms	5
	max	ms	15
Closing NC			
	min	ms	9
	max	ms	20
Opening NC			
	min	ms	9
	max	ms	17
UL technical data			
Full-load current (FLA) for three-phase AC motor			
	at 600V	A	40
Locked rotor current (LRA)		A	240
Yielded mechanical performance			
for single-phase AC motor			
	110/120V	HP	3
	230V	HP	7.5
for three-phase AC motor			
	200/208V	HP	10
	220/230V	HP	10
	460/480V	HP	30
	575/600V	HP	30
General USE			
Contactor			
	AC current	A	45
Short-circuit protection fuse, 600V			
Standard fault			
	Short circuit current	kA	5
	Fuse rating	A	125
	Fuse class		RK5

Ambient conditions

Temperature

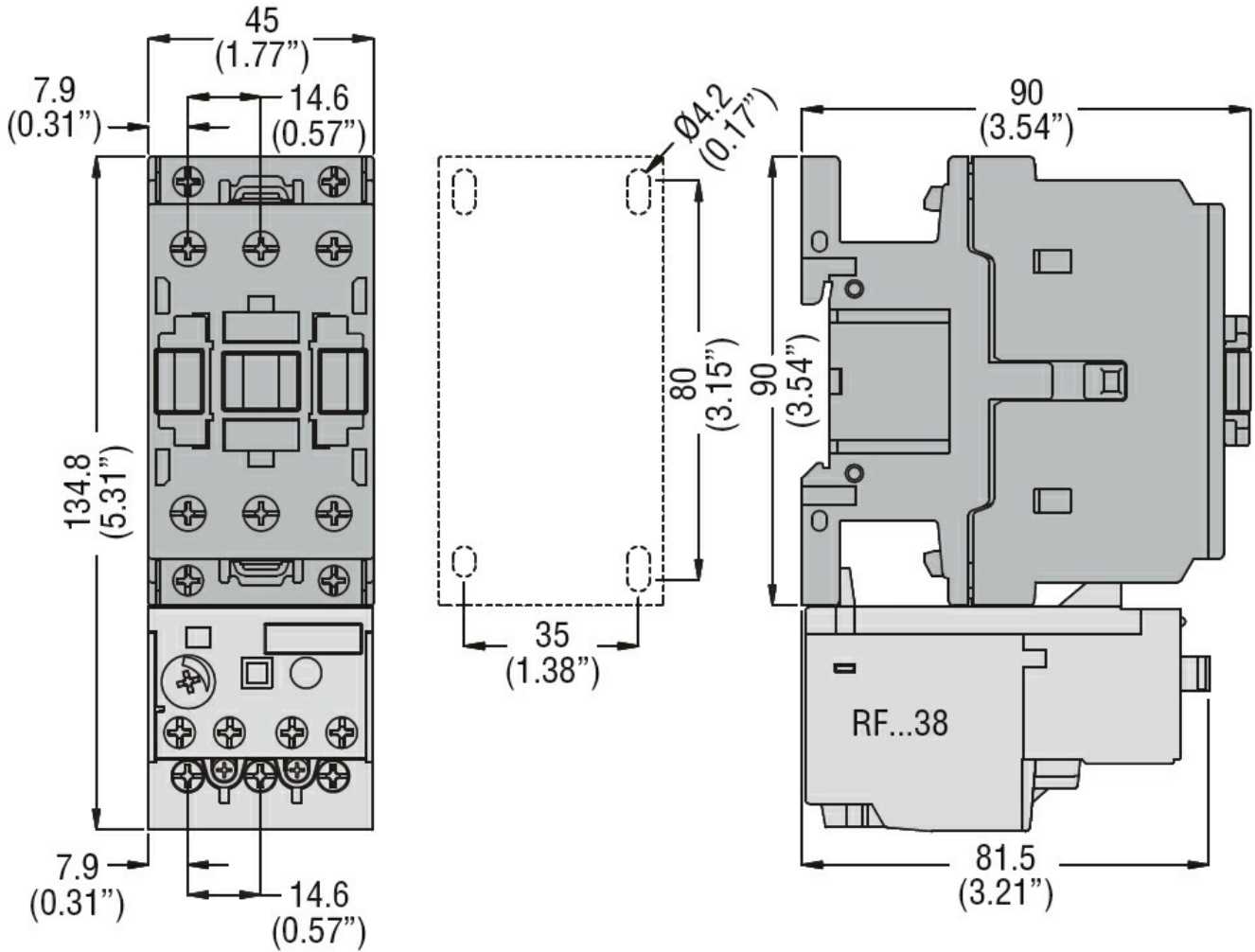
Operating temperature

Storage temperature	min	°C	-50
	max	°C	70
Max altitude	min	°C	-60
	max	°C	80
		m	3000

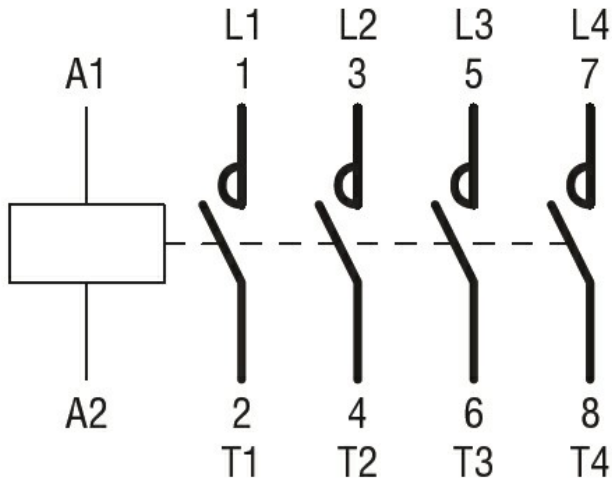
Resistance & Protection

Pollution degree 3

Dimensions



Wiring diagrams



Certifications and compliance

Compliance

CSA C22.2 n° 60947-1

CSA C22.2 n° 60947-4-52

UL 60947-1

UL 60947-4-1

Certificates

cULus

ETIM classification

ETIM 8.0

EC000066 -
Power contactor,
AC switching