

Product designation				Power contactor
Product type designation				DPBF26
Contact characteristics				
Number of poles		Nr.	3	
Operational frequency		min	Hz	25
		max	Hz	400
Mechanical features				
Operating position		normal	Vertical plan	
		allowable	±30°	
Fixing				Screw / DIN rail 35mm
Weight		g	556	
Operations				
Mechanical life		cycles	20000000	
Electrical life		cycles	1600000	
Safety related data				
Performance level B10d according to EN/ISO 13489-1		rated load	cycles	1600000
		mechanical load	cycles	20000000
Mirror contacts according to IEC/EN 60947-4-1				yes
EMC compatibility				yes
AC coil operating				
Rated AC voltage at 60Hz		V	575	
AC operating voltage	of 50/60Hz coil powered at 50Hz drop-out			
		max	%Us	0
of 60Hz coil powered at 60Hz pick-up		min	%Us	80
		max	%Us	110
	drop-out	min	%Us	20
		max	%Us	55
AC average coil consumption at 20°C of 60Hz coil powered at 60Hz		in-rush	VA	75
		holding	VA	9
Dissipation at holding ≤20°C 50Hz		W	2.5	
DC coil operating				
DC rated control voltage		V	24	
DC operating voltage	pick-up	min	%Us	70
		max	%Us	125
drop-out	min	%Us	10	
	max	%Us	40	
Average coil consumption ≤20°C		in-rush	W	5.4
		holding	W	5.4

Max cycles frequency

Mechanical operation cycles/h 3600

Operating times

Average time for Us control
in AC

Closing NO	min	ms	8
	max	ms	24
Opening NO	min	ms	5
	max	ms	15
Closing NC	min	ms	9
	max	ms	20
Opening NC	min	ms	9
	max	ms	17

in DC

Closing NO	min	ms	54
	max	ms	66
Opening NO	min	ms	14
	max	ms	17

UL technical data

Full-load current (FLA) for three-phase AC motor

at 600V A 40

Locked rotor current (LRA)

A 240

Yielded mechanical performance

for single-phase AC motor

110/120V	HP	3
230V	HP	7.5

for three-phase AC motor

200/208V	HP	10
220/230V	HP	10
460/480V	HP	30
575/600V	HP	30

General USE

Contactor

AC current A 45

Short-circuit protection fuse, 600V

Standard fault

Short circuit current	kA	5
Fuse rating	A	125
Fuse class		RK5

Ambient conditions

Temperature

Operating temperature

min	°C	-50
max	°C	70

Storage temperature

min	°C	-60
max	°C	80

Max altitude

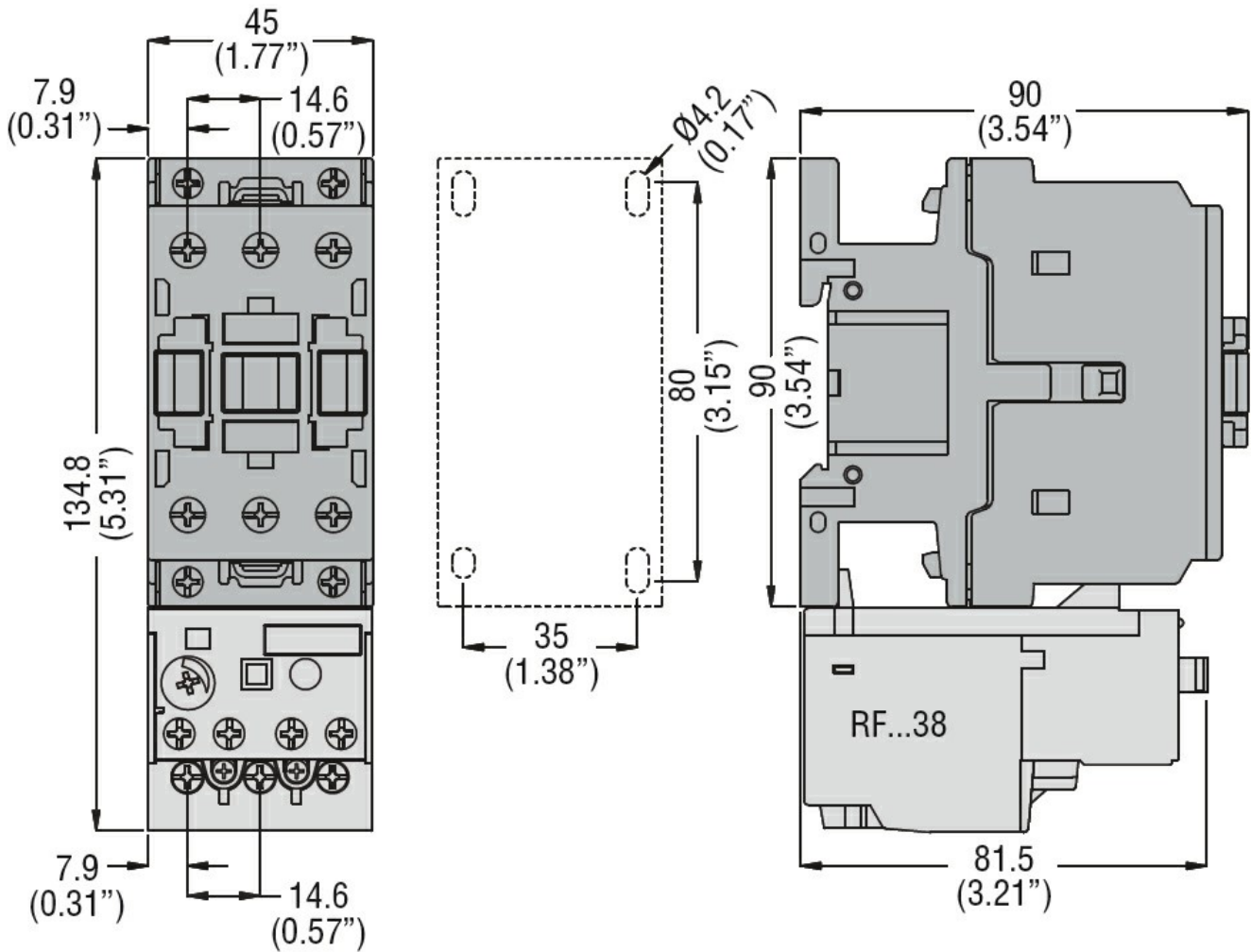
m 3000

Resistance & Protection

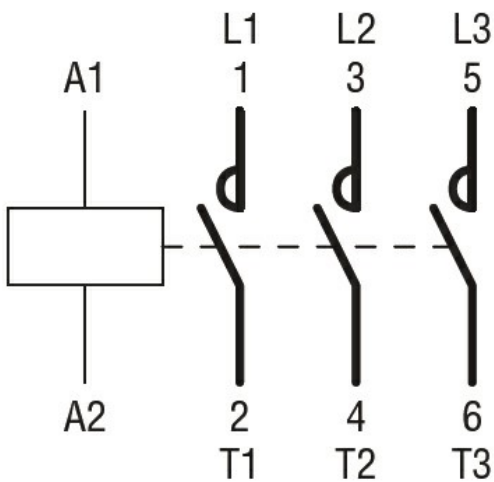
Pollution degree

3

Dimensions



Wiring diagrams



Certifications and compliance

Compliance

CSA C22.2 n° 60947-1
CSA C22.2 n° 60947-4-48

UL 60947-1

UL 60947-4-1

Certificates

cULus

ETIM classification

ETIM 8.0

EC000066 -
Power contactor,
AC switching