



Product designation				Power contactor
Product type designation				DPBF18
<b>Contact characteristics</b>				
Number of poles	Nr.			4
Operational frequency	min	Hz	25	
	max	Hz	400	
<b>Mechanical features</b>				
Operating position	normal	Vertical plan		
	allowable	±30°		
Fixing				Screw / DIN rail 35mm
Weight	g	354		
<b>Operations</b>				
Mechanical life	cycles	20000000		
Electrical life	cycles	1600000		
<b>Safety related data</b>				
Performance level B10d according to EN/ISO 13489-1	rated load	cycles	1600000	
	mechanical load	cycles	20000000	
Mirror contacts according to IEC/EN 60947-4-1				yes
EMC compatibility				yes
<b>AC coil operating</b>				
Rated AC voltage at 60Hz	V	120		
AC operating voltage of 60Hz coil powered at 60Hz	pick-up	min	%Us	80
		max	%Us	110
	drop-out	min	%Us	20
		max	%Us	55
AC average coil consumption at 20°C of 60Hz coil powered at 60Hz	in-rush	VA	75	
	holding	VA	9	
Dissipation at holding ≤20°C 50Hz	W	2.5		
<b>Max cycles frequency</b>				
Mechanical operation	cycles/h	3600		
<b>Operating times</b>				
Average time for Us control in AC	Closing NO	min	ms	8

Opening NO	max	ms	24
	min	ms	10
Closing NC	max	ms	20
	min	ms	14
Opening NC	max	ms	28
	min	ms	7
	max	ms	18

**UL technical data**

Full-load current (FLA) for three-phase AC motor

at 600V A 30

Locked rotor current (LRA)

A 180

Yielded mechanical performance

for single-phase AC motor

110/120V HP 2  
230V HP 5

for three-phase AC motor

200/208V HP 7.5  
220/230V HP 7.5  
460/480V HP 15  
575/600V HP 20

General USE

Contactor

AC current A 32

Short-circuit protection fuse, 600V

Standard fault

Short circuit current kA 5  
Fuse rating A 100  
Fuse class RK5

**Ambient conditions**

Temperature

Operating temperature

min °C -50  
max °C 70

Storage temperature

min °C -60  
max °C 80

Max altitude

m 3000

**Resistance & Protection**

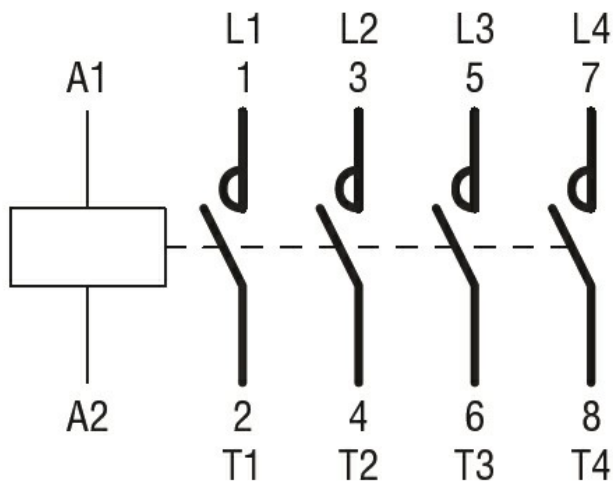
Pollution degree

3

**Dimensions**



**Wiring diagrams**



**Certifications and compliance**

**Compliance**

CSA C22.2 n° 60947-1

CSA C22.2 n° 60947-4-41

UL 60947-1

UL 60947-4-1

**Certificates**

cULus

**ETIM classification**

ETIM 8.0

EC000066 -  
Power contactor,  
AC switching