



Product designation				Power contactor
Product type designation				DPBF18
Contact characteristics				
Number of poles	Nr.			3
Operational frequency	min	Hz	25	
	max	Hz	400	
Mechanical features				
Operating position	normal allowable			Vertical plan ±30°
Fixing				Screw / DIN rail 35mm
Weight		g	346	
Operations				
Mechanical life		cycles	20000000	
Electrical life		cycles	1600000	
Safety related data				
Performance level B10d according to EN/ISO 13489-1	rated load mechanical load	cycles	1600000	
		cycles	20000000	
Mirror contacts according to IEC/EN 60947-4-1				yes
EMC compatibility				yes
AC coil operating				
Rated AC voltage at 60Hz		V	575	
AC operating voltage	of 50/60Hz coil powered at 50Hz drop-out		max	%Us 0
	of 60Hz coil powered at 60Hz pick-up		min	%Us 80
			max	%Us 110
	drop-out		min	%Us 20
			max	%Us 55
AC average coil consumption at 20°C of 60Hz coil powered at 60Hz	in-rush	VA	75	
	holding	VA	9	
Dissipation at holding ≤20°C 50Hz		W	2.5	
Max cycles frequency				
Mechanical operation		cycles/h	3600	
Operating times				
Average time for Us control				

in AC

Closing NO	min	ms	8
	max	ms	24
Opening NO	min	ms	10
	max	ms	20
Closing NC	min	ms	14
	max	ms	28
Opening NC	min	ms	7
	max	ms	18

UL technical data

Full-load current (FLA) for three-phase AC motor

at 600V A 30

Locked rotor current (LRA)

A 180

Yielded mechanical performance

for single-phase AC motor

110/120V HP 2
230V HP 5

for three-phase AC motor

200/208V HP 7.5
220/230V HP 7.5
460/480V HP 15
575/600V HP 20

General USE

Contactor

AC current A 32

Auxiliary contacts

AC voltage V 600
AC current A 10
DC voltage V 250
DC current A 1

Short-circuit protection fuse, 600V

Standard fault

Short circuit current kA 5
Fuse rating A 100
Fuse class RK5

Contact rating of auxiliary contacts according to UL

A600 - P600

Ambient conditions

Temperature

Operating temperature

min °C -50
max °C 70

Storage temperature

min °C -60
max °C 80

Max altitude

m 3000

Resistance & Protection

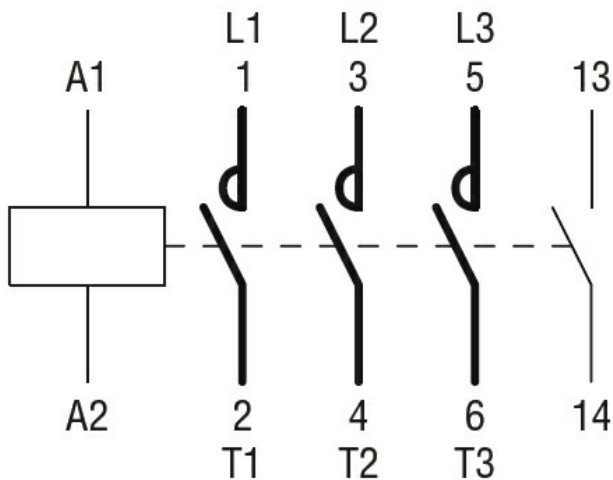
Pollution degree

3

Dimensions



Wiring diagrams



Certifications and compliance

Compliance

CSA C22.2 n° 60947-1
CSA C22.2 n° 60947-4-38
UL 60947-1
UL 60947-4-1

Certificates

cULus

ETIM classification

ETIM 8.0

EC000066 -
Power contactor,
AC switching