

Product designation				Power contactor
Product type designation				DPBF12
<b>Contact characteristics</b>				
Number of poles		Nr.	3	
Operational frequency		min	Hz	25
		max	Hz	400
<b>Mechanical features</b>				
Operating position		normal	Vertical plan	
		allowable	±30°	
Fixing				Screw / DIN rail 35mm
Weight		g	487	
<b>Operations</b>				
Mechanical life		cycles	20000000	
Electrical life		cycles	2000000	
<b>Safety related data</b>				
Performance level B10d according to EN/ISO 13489-1		rated load	cycles	2000000
		mechanical load	cycles	20000000
Mirror contacts according to IEC/EN 60947-4-1				yes
EMC compatibility				yes
<b>AC coil operating</b>				
Rated AC voltage at 60Hz		V	24	
AC operating voltage	of 50/60Hz coil powered at 50Hz drop-out	max	%Us	0
AC operating voltage	of 60Hz coil powered at 60Hz pick-up	min	%Us	80
		max	%Us	110
	drop-out	min	%Us	20
		max	%Us	55
AC average coil consumption at 20°C of 60Hz coil powered at 60Hz	in-rush	VA	75	
	holding	VA	9	
Dissipation at holding ≤20°C 50Hz		W	2.5	
<b>DC coil operating</b>				
DC rated control voltage		V	24	
DC operating voltage	pick-up	min	%Us	70
		max	%Us	125
DC operating voltage	drop-out	min	%Us	10
		max	%Us	40
Average coil consumption ≤20°C	in-rush	W	5.4	
	holding	W	5.4	

**Max cycles frequency**

Mechanical operation cycles/h 3600

**Operating times**

Average time for Us control

in AC

Closing NO	min	ms	8
	max	ms	24
Opening NO	min	ms	10
	max	ms	20
Closing NC	min	ms	14
	max	ms	28
Opening NC	min	ms	7
	max	ms	18

in DC

Closing NO	min	ms	54
	max	ms	66
Opening NO	min	ms	14
	max	ms	17

**UL technical data**

Full-load current (FLA) for three-phase AC motor

at 600V A 25

Locked rotor current (LRA)

A 150

Yielded mechanical performance

for single-phase AC motor

110/120V	HP	2
230V	HP	3

for three-phase AC motor

200/208V	HP	5
220/230V	HP	5
460/480V	HP	10
575/600V	HP	15

**General USE**

Contactor

AC current A 28

Auxiliary contacts

AC voltage	V	600
AC current	A	10
DC voltage	V	250
DC current	A	1

Short-circuit protection fuse, 600V

Standard fault

Short circuit current	kA	5
Fuse rating	A	80
Fuse class		RK5

Contact rating of auxiliary contacts according to UL

A600 - P600

**Ambient conditions**

Temperature

Operating temperature

min	°C	-50
max	°C	70

Storage temperature

min	°C	-60
max	°C	80
	m	3000

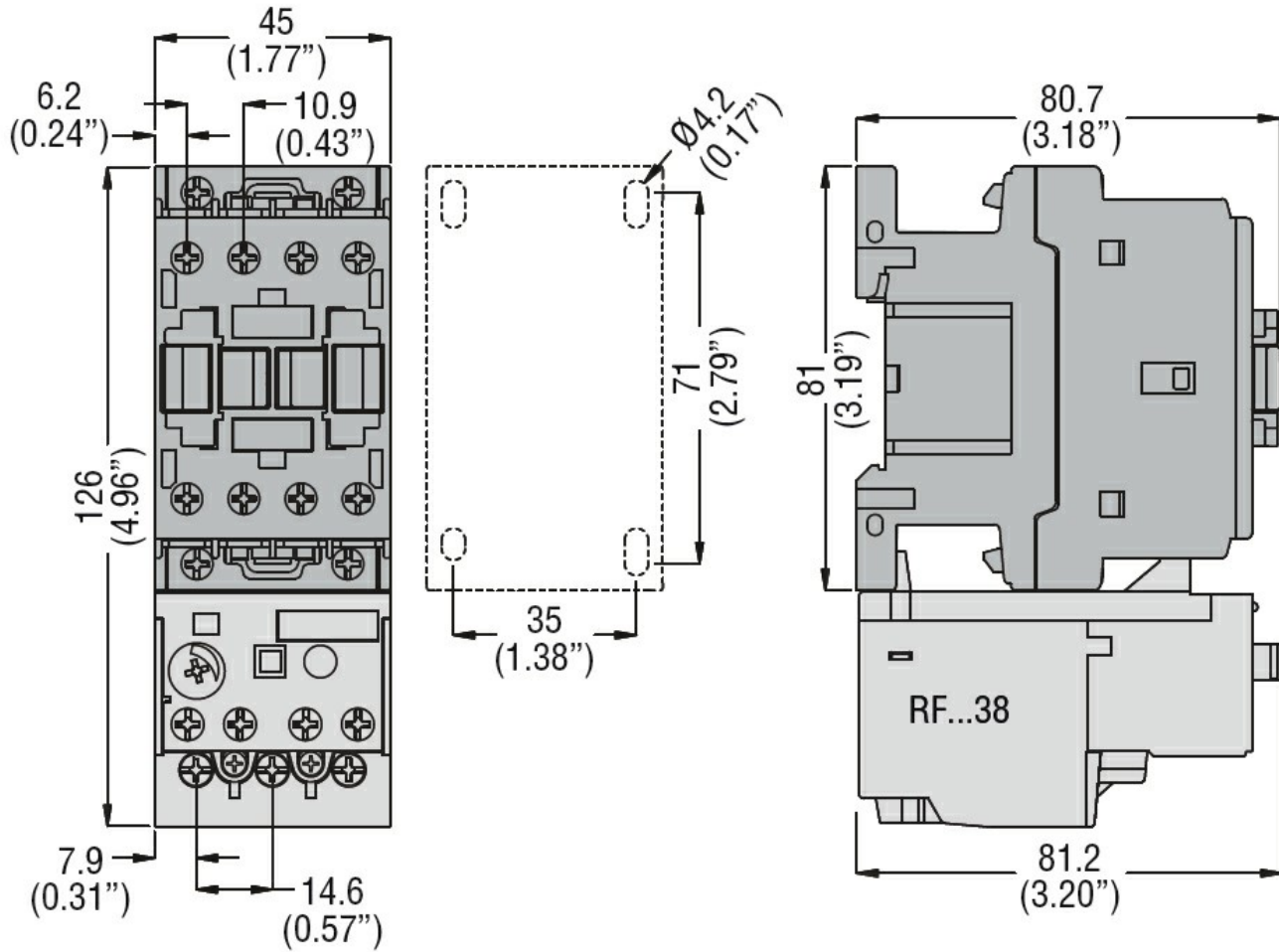
Max altitude

**Resistance & Protection**

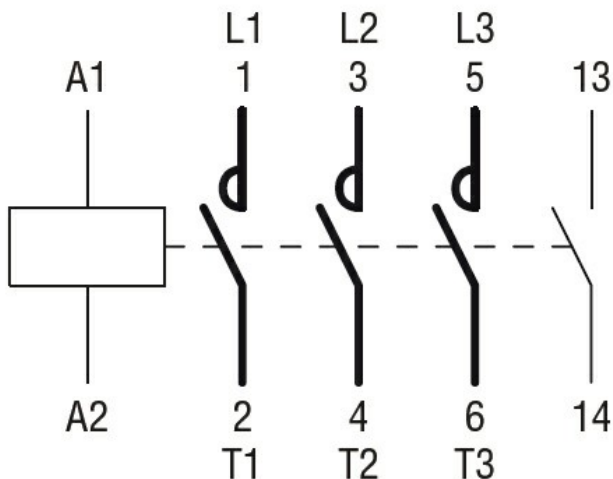
Pollution degree

3

**Dimensions**



**Wiring diagrams**



**Certifications and compliance**

Compliance

CSA C22.2 n° 60947-1

CSA C22.2 n° 60947-4-25

UL 60947-1

UL 60947-4-1

Certificates

cULus

ETIM classification

ETIM 8.0

EC000066 -  
Power contactor,  
AC switching