



Product designation Power contactor  
Product type designation DPBF12

**Contact characteristics**

Number of poles	Nr.	3
Operational frequency	min	Hz 25
	max	Hz 400

**Mechanical features**

Operating position	normal allowable	Vertical plan ±30°
Fixing		Screw / DIN rail 35mm
Weight	g	359

**Operations**

Mechanical life	cycles	2000000
Electrical life	cycles	2000000

**Safety related data**

Performance level B10d according to EN/ISO 13489-1	rated load mechanical load	cycles	2000000
		cycles	20000000
Mirror contacts according to IEC/EN 609474-4-1			yes
EMC compatibility			yes

**AC coil operating**

Rated AC voltage at 60Hz	V	120	
AC operating voltage of 60Hz coil powered at 60Hz	pick-up	min %Us	80
		max %Us	110
	drop-out	min %Us	20
		max %Us	55

AC average coil consumption at 20°C of 60Hz coil powered at 60Hz	in-rush	VA	75
	holding	VA	9
Dissipation at holding ≤20°C 50Hz	W	2.5	

**Max cycles frequency**

Mechanical operation	cycles/h	3600
----------------------	----------	------

**Operating times**

Average time for Us control in AC	Closing NO	min	ms	8
--------------------------------------	------------	-----	----	---

Opening NO	max	ms	24
	min	ms	10
Closing NC	max	ms	20
	min	ms	14
Opening NC	max	ms	28
	min	ms	7
	max	ms	18

**UL technical data**

Full-load current (FLA) for three-phase AC motor

at 600V A 25

Locked rotor current (LRA)

A 150

Yielded mechanical performance

for single-phase AC motor

110/120V HP 2  
230V HP 3

for three-phase AC motor

200/208V HP 5  
220/230V HP 5  
460/480V HP 10  
575/600V HP 15

General USE

Contactor

AC current A 28

Auxiliary contacts

AC voltage V 600  
AC current A 10  
DC voltage V 250  
DC current A 1

Short-circuit protection fuse, 600V

Standard fault

Short circuit current kA 5  
Fuse rating A 80  
Fuse class RK5

Contact rating of auxiliary contacts according to UL

A600 - P600

**Ambient conditions**

Temperature

Operating temperature

min °C -50  
max °C 70

Storage temperature

min °C -60  
max °C 80

Max altitude

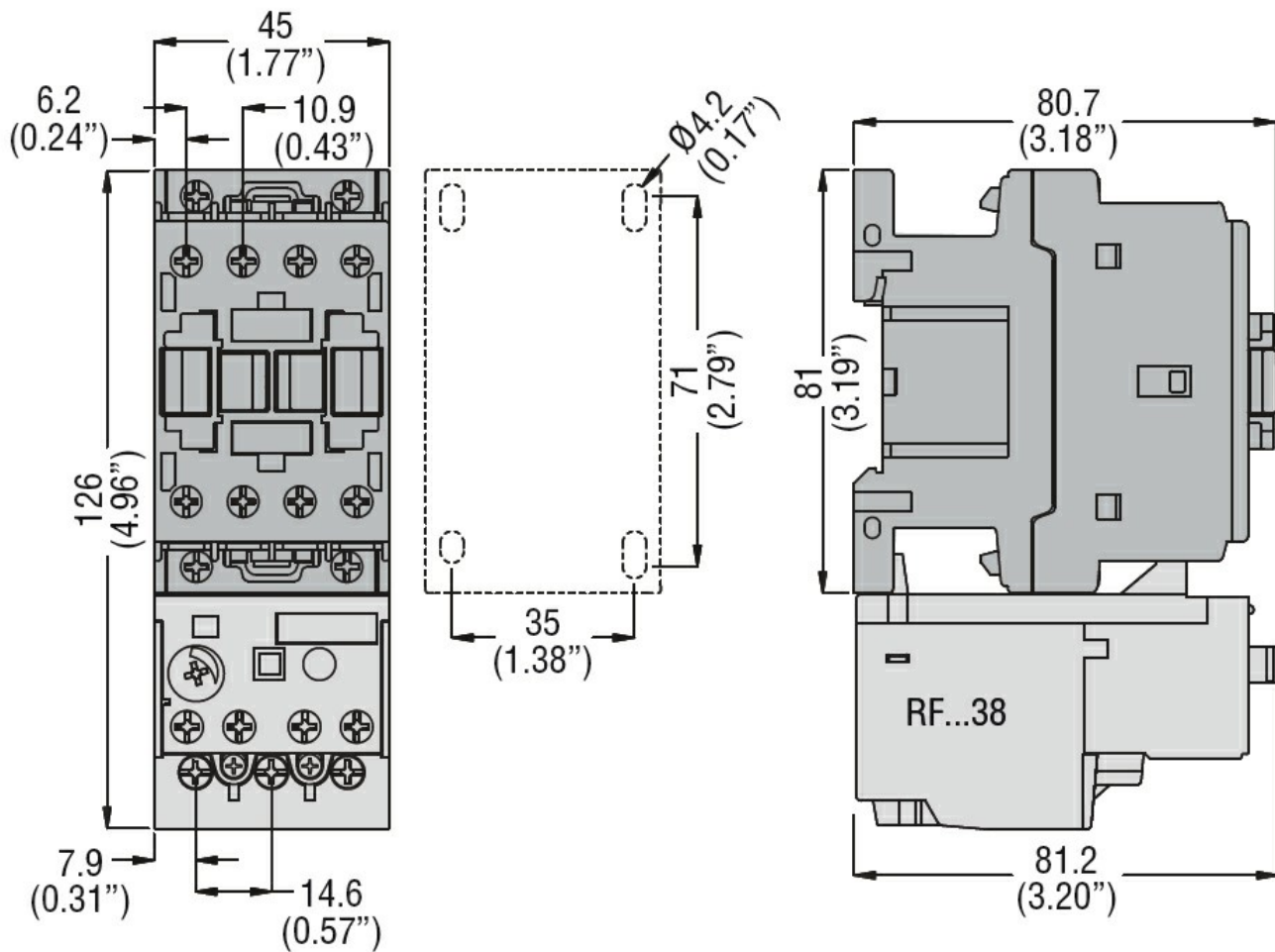
m 3000

**Resistance & Protection**

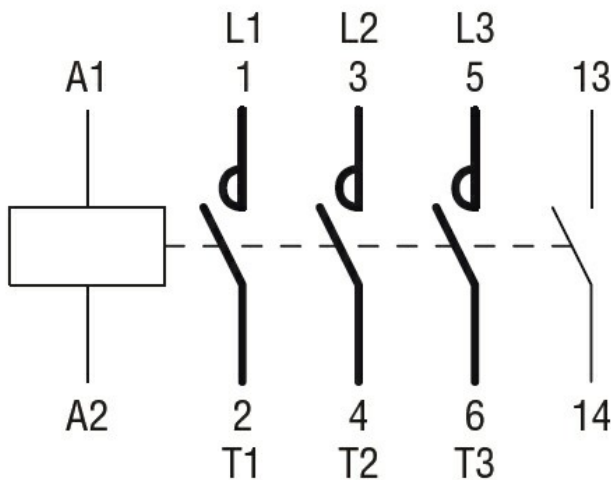
Pollution degree

3

**Dimensions**



**Wiring diagrams**



**Certifications and compliance**

**Compliance**

- CSA C22.2 n° 60947-1
- CSA C22.2 n° 60947-4-23
- UL 60947-1
- UL 60947-4-1

**Certificates**

cULus

**ETIM classification**

ETIM 8.0

EC000066 -  
Power contactor,  
AC switching