

Product designation				Power contactor
Product type designation				DPBF09
<b>Contact characteristics</b>				
Number of poles		Nr.	4	
Operational frequency		min	Hz	25
		max	Hz	400
<b>Mechanical features</b>				
Operating position		normal	Vertical plan	
		allowable	±30°	
Fixing				Screw / DIN rail 35mm
Weight		g	492	
<b>Operations</b>				
Mechanical life		cycles	20000000	
Electrical life		cycles	2000000	
<b>Safety related data</b>				
Performance level B10d according to EN/ISO 13489-1		rated load	cycles	2000000
		mechanical load	cycles	20000000
Mirror contacts according to IEC/EN 60947-4-1				yes
EMC compatibility				yes
<b>AC coil operating</b>				
Rated AC voltage at 60Hz		V	230	
AC operating voltage of 60Hz coil powered at 60Hz	pick-up	min	%Us	80
		max	%Us	110
	drop-out	min	%Us	20
		max	%Us	55
AC average coil consumption at 20°C of 60Hz coil powered at 60Hz	in-rush	VA	75	
	holding	VA	9	
		W	2.5	
<b>DC coil operating</b>				
DC rated control voltage		V	12	
DC operating voltage	pick-up	min	%Us	70
		max	%Us	125
	drop-out	min	%Us	10
		max	%Us	40
Average coil consumption ≤20°C	in-rush	W	5.4	
	holding	W	5.4	
<b>Max cycles frequency</b>				
Mechanical operation		cycles/h	3600	
<b>Operating times</b>				

Average time for Us control  
in AC

Closing NO	min	ms	8
	max	ms	24
Opening NO	min	ms	10
	max	ms	20
Closing NC	min	ms	14
	max	ms	28
Opening NC	min	ms	7
	max	ms	18

in DC

Closing NO	min	ms	54
	max	ms	66
Opening NO	min	ms	14
	max	ms	17

#### UL technical data

Full-load current (FLA) for three-phase AC motor

at 600V A 20

Locked rotor current (LRA)

A 120

Yielded mechanical performance

for single-phase AC motor

110/120V HP 1.5  
230V HP 3

for three-phase AC motor

200/208V HP 5  
220/230V HP 5  
460/480V HP 10  
575/600V HP 15

General USE

Contactor

AC current A 25

Short-circuit protection fuse, 600V

Standard fault

Short circuit current kA 5  
Fuse rating A 70  
Fuse class RK5

#### Ambient conditions

Temperature

Operating temperature

min °C -50  
max °C 70

Storage temperature

min °C -60  
max °C 80

Max altitude

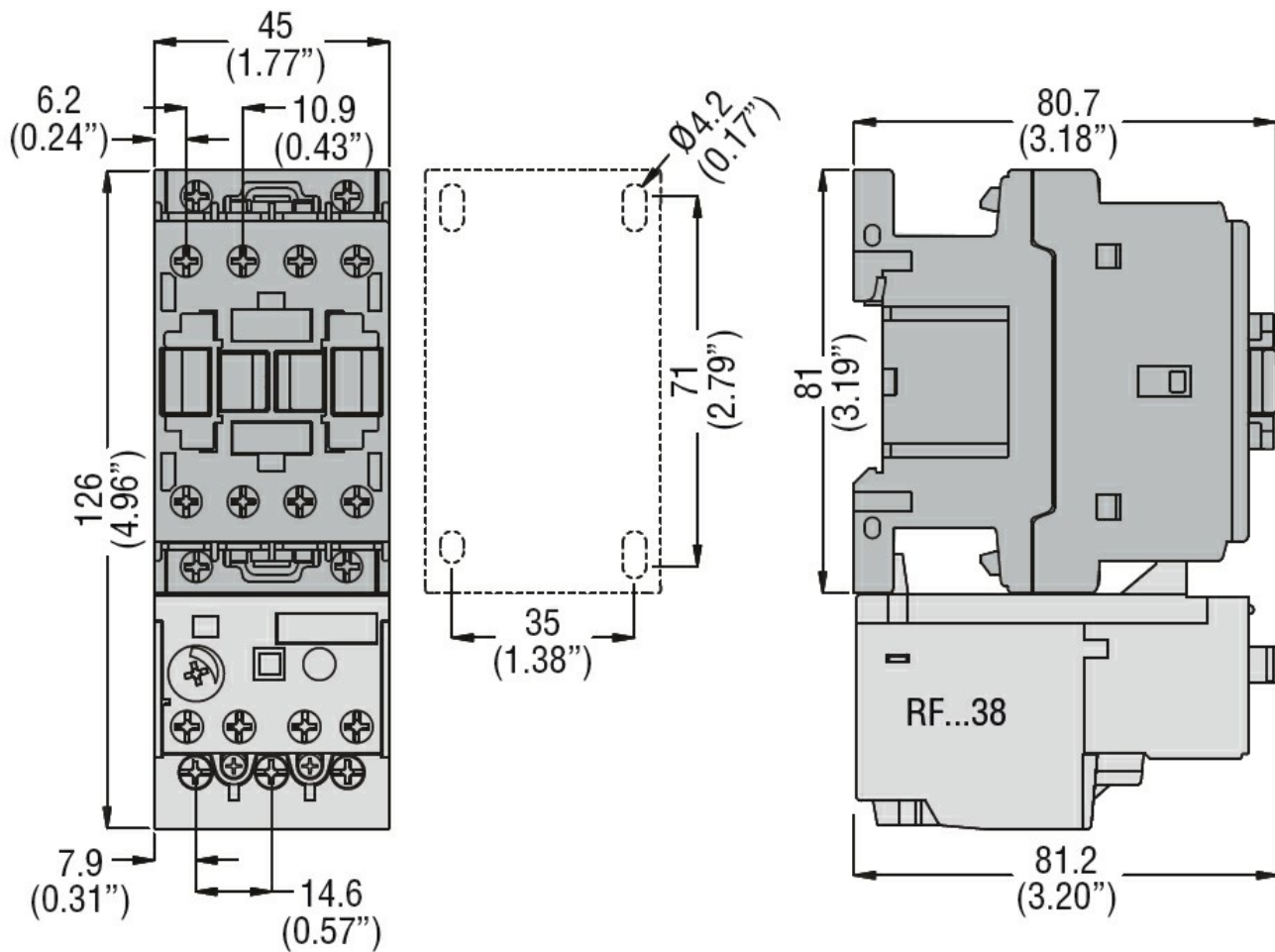
m 3000

#### Resistance & Protection

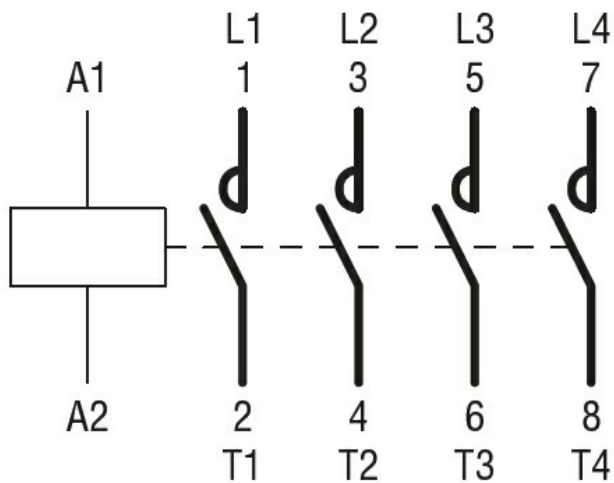
Pollution degree

3

#### Dimensions



### Wiring diagrams



### Certifications and compliance

#### Compliance

CSA C22.2 n° 60947-1

CSA C22.2 n° 60947-4-15

UL 60947-1

UL 60947-4-1

#### Certificates

cULus

### ETIM classification

ETIM 8.0

EC000066 -  
Power contactor,  
AC switching