

Product designation				Power contactor		
Product type designation				DPBF09		
Contact characteristics						
Number of poles		Nr.	3			
Operational frequency		min	Hz	25		
		max	Hz	400		
Mechanical features						
Operating position		normal allowable	Vertical plan ±30°			
	Fixing	Screw / DIN rail 35mm				
Weight		g	490			
Operations						
Mechanical life		cycles	20000000			
Electrical life		cycles	2000000			
Safety related data						
Performance level B10d according to EN/ISO 13489-1		rated load mechanical load	cycles	2000000		
			cycles	20000000		
Mirror contacts according to IEC/EN 609474-4-1				yes		
EMC compatibility				yes		
AC coil operating						
Rated AC voltage at 50/60Hz		V	24			
AC operating voltage	of 50/60Hz coil powered at 50Hz	pick-up	min	%Us	80	
			max	%Us	110	
		drop-out	min	%Us	20	
			max	%Us	55	
		of 50/60Hz coil powered at 60Hz	pick-up	min	%Us	85
				max	%Us	110
	drop-out		min	%Us	20	
			max	%Us	55	
	AC average coil consumption at 20°C	of 50/60Hz coil powered at 50Hz	in-rush	VA	75	
				holding	VA	9
			of 50/60Hz coil powered at 60Hz	in-rush	VA	70
					holding	VA
of 60Hz coil powered at 60Hz		in-rush		VA	75	
				holding	VA	9
		Dissipation at holding ≤20°C 50Hz		W	2.5	
		DC coil operating				
DC rated control voltage			V	24		

DC operating voltage

pick-up	min	%Us	70
	max	%Us	125
drop-out	min	%Us	10
	max	%Us	40

Average coil consumption $\leq 20^{\circ}\text{C}$

in-rush	W	5.4
holding	W	5.4

Max cycles frequency

Mechanical operation	cycles/h	3600
----------------------	----------	------

Operating times

Average time for Us control

in AC

Closing NO	min	ms	8
	max	ms	24
Opening NO	min	ms	10
	max	ms	20
Closing NC	min	ms	14
	max	ms	28
Opening NC	min	ms	7
	max	ms	18

in DC

Closing NO	min	ms	54
	max	ms	66
Opening NO	min	ms	14
	max	ms	17

UL technical data

Full-load current (FLA) for three-phase AC motor

at 600V	A	20
---------	---	----

Locked rotor current (LRA)

A	120
---	-----

Yielded mechanical performance

for single-phase AC motor

110/120V	HP	1.5
230V	HP	3

for three-phase AC motor

200/208V	HP	5
220/230V	HP	5
460/480V	HP	10
575/600V	HP	15

General USE

Contactor

AC current	A	25
------------	---	----

Auxiliary contacts

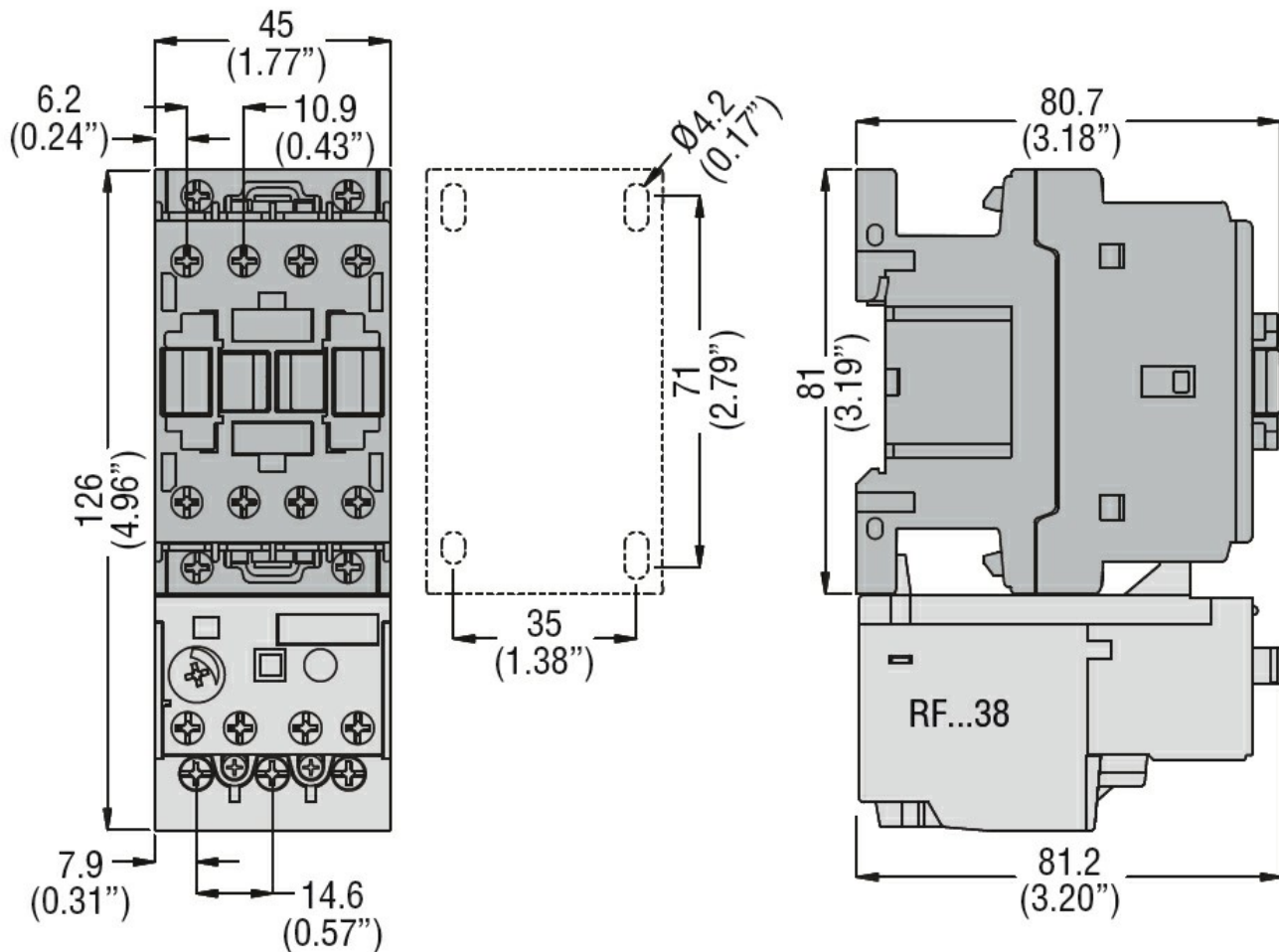
AC voltage	V	600
AC current	A	10
DC voltage	V	250

	DC current	A	1
Short-circuit protection fuse, 600V Standard fault	Short circuit current	kA	5
	Fuse rating	A	70
	Fuse class		RK5
Contact rating of auxiliary contacts according to UL			A600 - P600
Ambient conditions			
Temperature			
Operating temperature			
	min	°C	-50
	max	°C	70
Storage temperature			
	min	°C	-60
	max	°C	80
Max altitude		m	3000

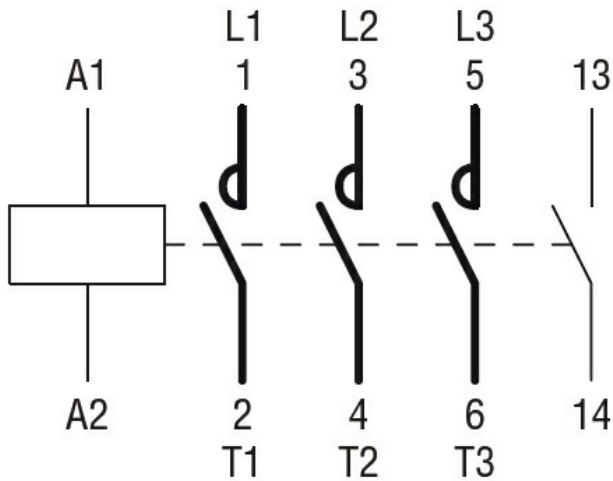
Resistance & Protection

Pollution degree	3
------------------	---

Dimensions



Wiring diagrams



Certifications and compliance

Compliance

CSA C22.2 n° 60947-1

CSA C22.2 n° 60947-4-11

UL 60947-1

UL 60947-4-1

Certificates

cULus

ETIM classification

ETIM 8.0

EC000066 -
 Power contactor,
 AC switching