



Product designation				Power contactor
Product type designation				DPBF09
<b>Contact characteristics</b>				
Number of poles	Nr.			3
Operational frequency	min	Hz	25	
	max	Hz	400	
<b>Mechanical features</b>				
Operating position	normal allowable			Vertical plan ±30°
Fixing				Screw / DIN rail 35mm
Weight		g	352	
<b>Operations</b>				
Mechanical life		cycles	20000000	
Electrical life		cycles	2000000	
<b>Safety related data</b>				
Performance level B10d according to EN/ISO 13489-1	rated load mechanical load	cycles	2000000	
		cycles	20000000	
Mirror contacts according to IEC/EN 60947-4-1				yes
EMC compatibility				yes
<b>AC coil operating</b>				
Rated AC voltage at 60Hz		V	460	
AC operating voltage	of 50/60Hz coil powered at 50Hz drop-out		max	%Us 0
	of 60Hz coil powered at 60Hz pick-up		min	%Us 80
			max	%Us 110
	drop-out		min	%Us 20
			max	%Us 55
AC average coil consumption at 20°C of 60Hz coil powered at 60Hz	in-rush	VA	75	
	holding	VA	9	
Dissipation at holding ≤20°C 50Hz		W	2.5	
<b>Max cycles frequency</b>				
Mechanical operation		cycles/h	3600	
<b>Operating times</b>				
Average time for Us control				

in AC

Closing NO	min	ms	8
	max	ms	24
Opening NO	min	ms	10
	max	ms	20
Closing NC	min	ms	14
	max	ms	28
Opening NC	min	ms	7
	max	ms	18

**UL technical data**

Full-load current (FLA) for three-phase AC motor

at 600V A 20

Locked rotor current (LRA)

A 120

Yielded mechanical performance

for single-phase AC motor

110/120V HP 1.5  
230V HP 3

for three-phase AC motor

200/208V HP 5  
220/230V HP 5  
460/480V HP 10  
575/600V HP 15

General USE

Contactor

AC current A 25

Auxiliary contacts

AC voltage V 600  
AC current A 10  
DC voltage V 250  
DC current A 1

Short-circuit protection fuse, 600V

Standard fault

Short circuit current kA 5  
Fuse rating A 70  
Fuse class RK5

Contact rating of auxiliary contacts according to UL

A600 - P600

**Ambient conditions**

Temperature

Operating temperature

min °C -50  
max °C 70

Storage temperature

min °C -60  
max °C 80

Max altitude

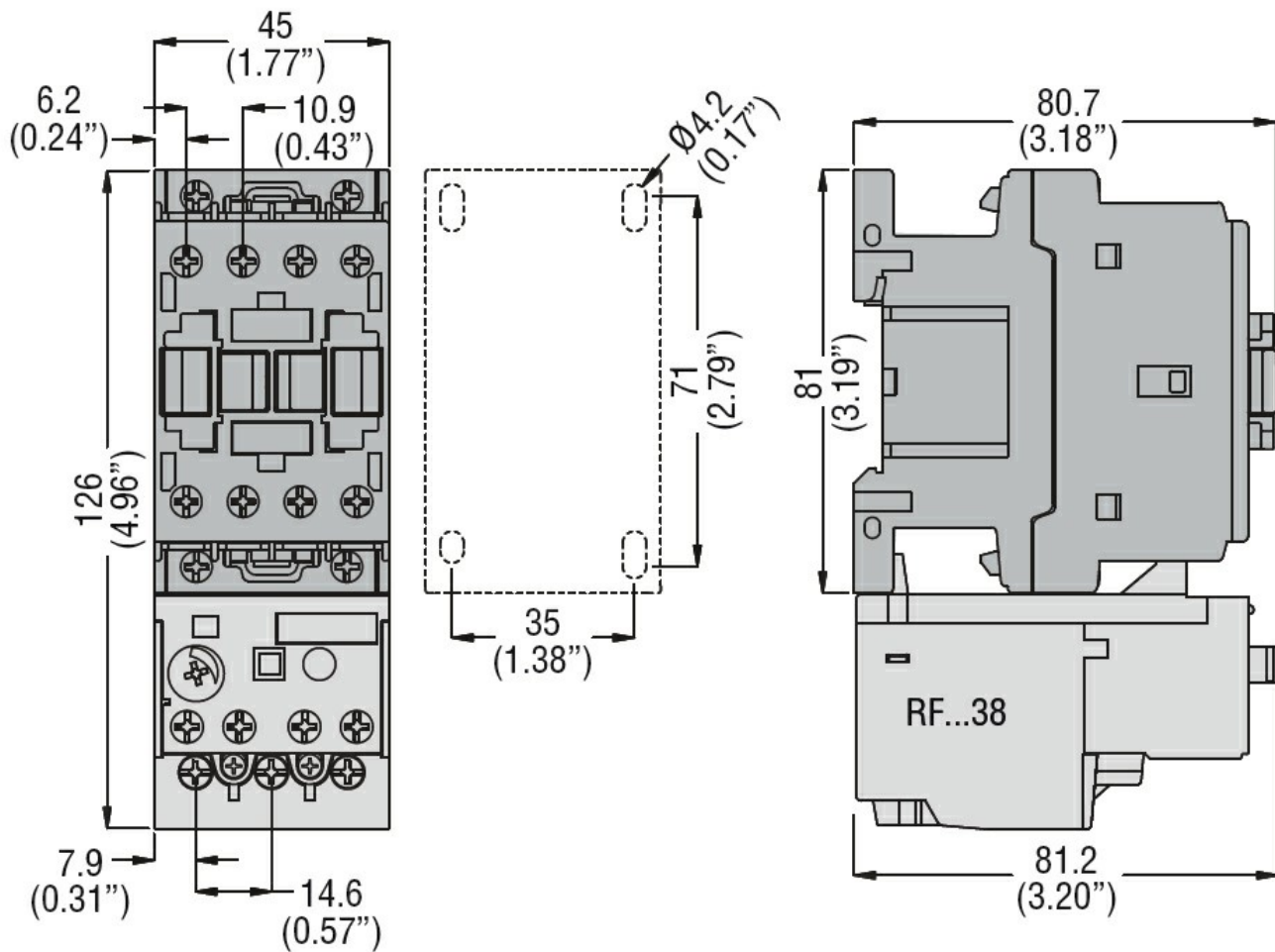
m 3000

**Resistance & Protection**

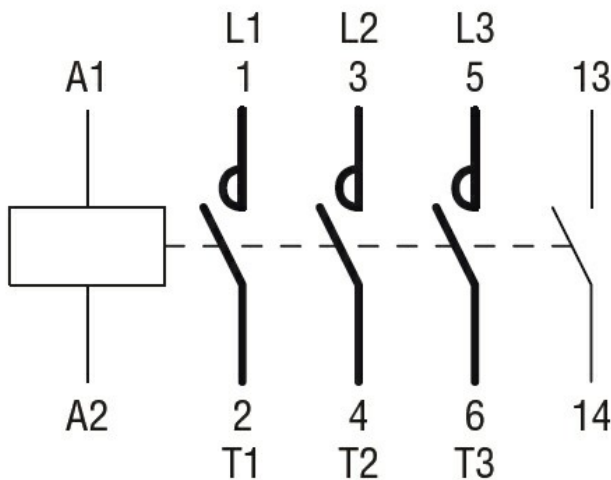
Pollution degree

3

**Dimensions**



**Wiring diagrams**



**Certifications and compliance**

**Compliance**

- CSA C22.2 n° 60947-1
- CSA C22.2 n° 60947-4-10
- UL 60947-1
- UL 60947-4-1

**Certificates**

cULus

**ETIM classification**

ETIM 8.0

EC000066 -  
Power contactor,  
AC switching